

**Acoustimass[®] 30P Zone 2
Powered Speaker System
(AM-30P)**



CONTENTS


Safety Information	3
Electrostatic Discharge Sensitive (ESDS) Device Handling	4
AM-30P Zone 2 Supplement Overview	4
Part List Notes	5
Packing List, AM-30P Zone 2 (see Figure 1)	6
Part List, AM-30P Zone 2 Literature Kit	6
Figure 1. AM-30P Zone 2 System Assembly Packing Diagram	7
Packing List, AM-30P Zone 2 Satellite/Accessory Kit (see Figure 2)	8
Figure 2. AM-30P Zone 2 Satellite/Accessory Kit Packing Diagram	8

**CAUTION: THE POWERED ACOUSTIMASS® -30 (AM-30P) ZONE 2
SPEAKER SYSTEM CONTAINS NO USER-SERVICEABLE PARTS.
TO PREVENT WARRANTY INFRACTIONS, REFER SERVICING
TO WARRANTY SERVICE STATIONS OR FACTORY SERVICE.**

PROPRIETARY INFORMATION

THIS DOCUMENT CONTAINS PROPRIETARY INFORMATION OF BOSE® CORPORATION WHICH IS BEING FURNISHED ONLY FOR THE PURPOSE OF SERVICING THE IDENTIFIED BOSE PRODUCT BY AN AUTHORIZED BOSE SERVICE CENTER OR OWNER OF THE BOSE PRODUCT, AND SHALL NOT BE REPRODUCED OR USED FOR ANY OTHER PURPOSE.

SAFETY INFORMATION

1. Parts that have special safety characteristics are identified by the  symbol on schematics or by special notes on the parts list. Use only replacement parts that have critical characteristics recommended by the manufacturer.
2. Make leakage current or resistance measurements to determine that exposed parts are acceptably insulated from the supply circuit before returning the unit to the customer. Use the following checks to perform these measurements:

A. Leakage Current Hot Check

- (1) With the unit completely reassembled, plug the AC line cord directly into a 120V AC outlet. Do not use an isolation transformer during this test. Use a leakage current tester or a metering system that complies with American National Standards Institute (ANSI) C101.1 "Leakage Current for Appliances" and Underwriters Laboratories (UL) 1492 (71).
- (2) With the unit AC switch first in the ON position and then in the OFF position, measure from a known earth ground (metal water pipe, conduit, etc.) to all exposed metal parts of the unit (antennas, handle bracket, metal cabinet, screwheads, metallic overlays, control shafts, etc.), especially any exposed metal parts that offer an electrical return path to the chassis.
- (3) Any current measured must not exceed 0.5 milliamp.
- (4) Reverse the unit power cord plug in the outlet and repeat test.

ANY MEASUREMENTS NOT WITHIN THE LIMITS SPECIFIED HEREIN INDICATE A POTENTIAL SHOCK HAZARD THAT MUST BE ELIMINATED BEFORE RETURNING THE UNIT TO THE CUSTOMER.

B. Insulation Resistance Test Cold Check

- (1) Unplug the power supply and connect a jumper wire between the two prongs of the plug.
- (2) Turn on the power switch of the unit.
- (3) Measure the resistance with an ohmmeter between the jumpered AC plug and each exposed metallic cabinet part on the unit. When the exposed metallic part has a return path to the chassis, the reading should be between 1 and 5.2 Meg Ω . When there is no return path to the chassis, the reading must be "infinite". If it is not within the limits specified, there is the possibility of a shock hazard, and the unit must be repaired and rechecked before it is returned to the customer.

ELECTROSTATIC DISCHARGE SENSITIVE (ESDS) DEVICE HANDLING


This unit contains ESDS devices. We recommend the following procedures when repairing, replacing, or transporting ESDS devices:

- Perform work at an electrically grounded work station.
- Wear wrist straps that connect to the station or heel straps that connect to conductive floor mats.
- Avoid touching the leads or contacts of ESDS devices or PC boards, even if properly grounded. Handle boards by the edges only.
- Transport or store ESDS devices in ESD protective bags, bins, or totes. Do not insert unprotected devices into materials such as plastic, polystyrene foam, clear plastic bags, bubble wrap, or plastic trays.

AM-30P ZONE 2 SUPPLEMENT OVERVIEW

- This service manual supplement addresses the AM-30P Zone 2, which is an LS30 System packaged without a CD-20 head unit, and sold as a Zone 2 product. It is packaged with a Zone 2 Satellite/Accessory Kit containing 5 Jewel Cube® Satellites, an LS-25 Zone 2 remote control, speaker cables, literature kit and an extension cable to accommodate the added distance between the head unit and the Zone 2 Bass Box.
- Refer to the Lifestyle® 30 System Service Manual part number 194382 for all disassembly/assembly, test and repair procedures.

PART LIST NOTES

1. This part is not normally available from Customer Service. Approval from the Field Service Manager is required before ordering.
2. The individual parts located on the PCBs are listed in the Electrical Part List.
3.  This part is critical for safety purposes. Failure to use a substitute replacement with the same safety characteristics as the recommended replacement part might create shock, fire, and/or other hazards.
4. US/Canada units.
5. European units.
6. United Kingdom units.
7. Australian units.
8. Dual Voltage units.
9. All units.

PACKING LIST

AM-30P Zone 2 (see Figure 1)

Item Number	Description	Part Number	Note
1	Sheet Quickstart, AM30P, Z2	195953	9
2	Sheet, Declaration of Conformity, AM30P, Zone 2	195955	5, 6
3	Literature Kit, AM30P, Zone 2, 120V	195817-1	4
	220V	195817-2	5
	240V	195817-4	6
	240V	195817-5	7
	120/240V	195817-6	8
	4	Bassbox Assembly, AM30P, 120V, White	193141-111
120V, Black		193141-121	4
220V, White		193141-211	5
220V, Black		193141-221	5
240V, White		193141-211	6
240V, Black		193141-221	6
240V, White		193141-211	7
240V, Black		193141-221	7
120/230V, White		193141-611	8
120/230V, Black		193141-621	8
5	Carton, RSC, AM30P, Zone Speaker	183774-12	9
6	Satellite/Accy Kit, AM30PZ2, 120V, White	195819-11	4
	120V, Black	195819-12	4
	220V, White	195819-21	5
	220V, Black	195819-22	5
	240V, White	195819-41	6
	240V, Black	195819-42	6
	240V, White	195819-51	7
	240V, Black	195819-52	7
	120/240V, White	195819-61	8
	120/240V, Black	195819-62	8

PART LIST

AM-30P Zone 2 Literature Kit

Description	Part Number	Qty	Note
Bag, Poly, 14.38x9.87x2mil	103351	1	9
Brochure, All Product	188898	1	9
Bumper, Recessed, Foot, .88"	142839	4	9
Card, Info, Warranty, U.S.	181357	1	4, 8
Card, Info, Warranty, Multi-Language	181460	1	5, 6, 7, 8
Sheet, Safety	176236	1	4, 8
Manual, Owners, 3 Language, LS30	193147	1	9
Manual, Owners, 5 Language, LS30	193148	1	5
Foot, 2.03x.06	183621	5	9
Sheet, Instruction, Adapter	147751	1	8
Label, Owners Guide, AM30P, Z2	195954	1	9
Sheet, Insert, Owners Guide	195956	1	9
Label, Zone ID	184417	1	9

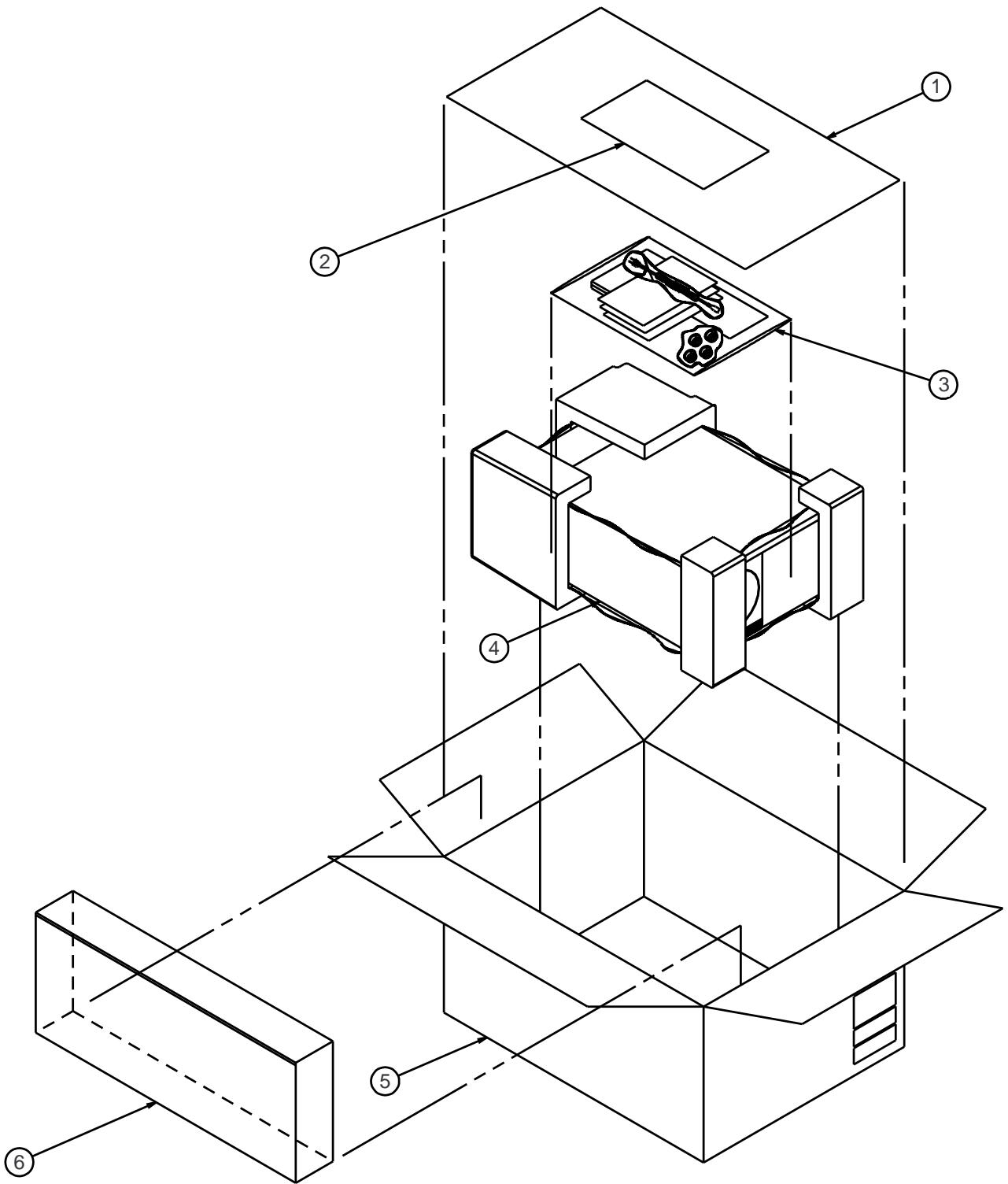


Figure 1. AM-30P Zone 2 System Assembly Packing Diagram

PACKING LIST

AM-30P Zone 2 Satellite/Accessory Kit (see Figure 2)

Item Number	Description	Part Number	Qty.	Note	
1	Sat. Assy., Jewel Cube®, Single, Black White	194420-01	5	9	
		194420-02	5		
2	Remote Control Assembly, LS-25 HT	187700	1	9	
3	Battery, Carbon, AA Size	147538	3	9	
4	Bag, Poly, 4 x 6 x 2 mil	143393	1	9	
5	Cable Set, 2 pk, LS/RS, Black White	193146-03	1	9	
		193146-13	1		
6	Cable Set, 3 pk, L/C/R, LS-30, Black White	193145-04	1	9	
		193145-14	1		
7	Cable, DIN, Extension, Fixed	183921	1	9	
8	Cable, 24 AWG, 8-8 pin, DIN/MiniDIN	188694	1	9	
⚠	Line Cord, Polarized, Detachable, 120V 220V 100V 240V 240V	146999	1	3, 4, 8	
		148203	1	3, 5	
		145316	1	3, 6	
		134725	1	3, 7	
		134726	1	3, 8	
10	Carton, D/C, 25.38 x 9.88 x 3.5	172282	1	9	
11	Packing, Insert, Sat/Remote	195948	1	9	
-	Cable, RCA, 6 ft.	185931-01	1	5	
⚠	-	Adapter, 120/230V, Polarized	147013	1	3, 8

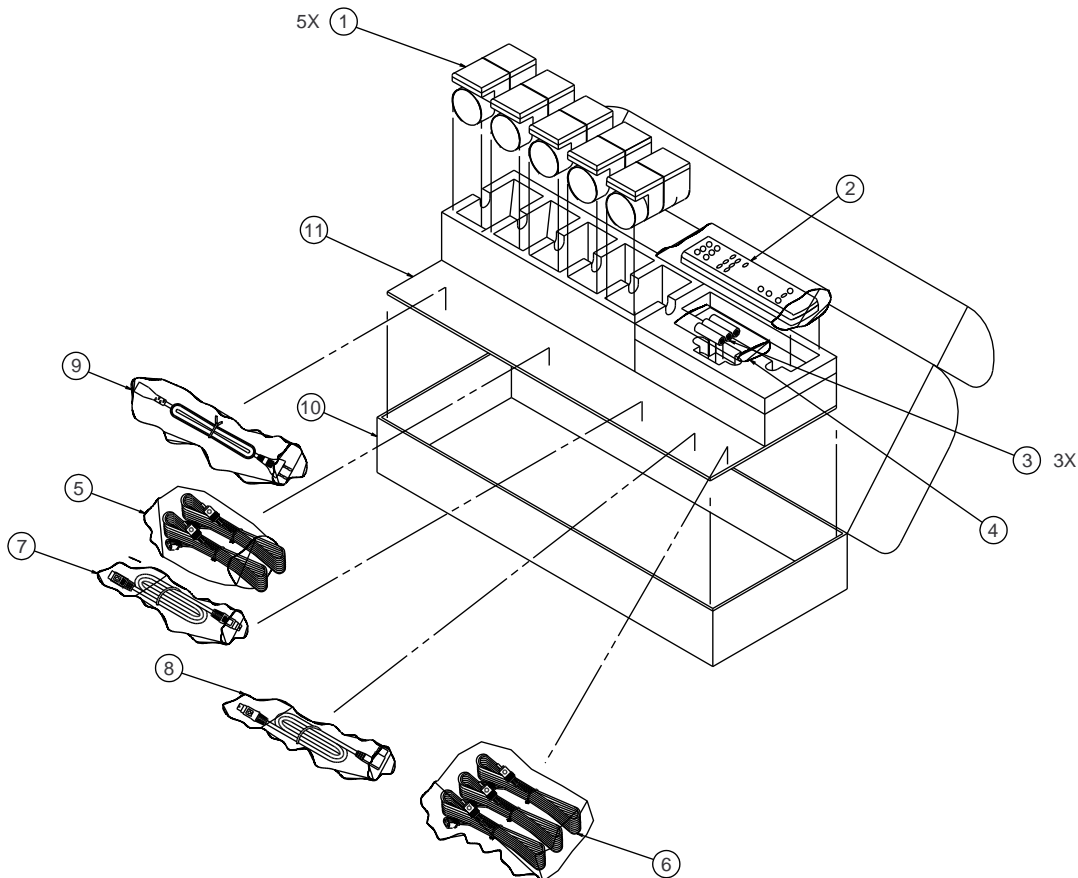


Figure 2. AM-30P Zone 2 Satellite/Accessory Kit Packing Diagram