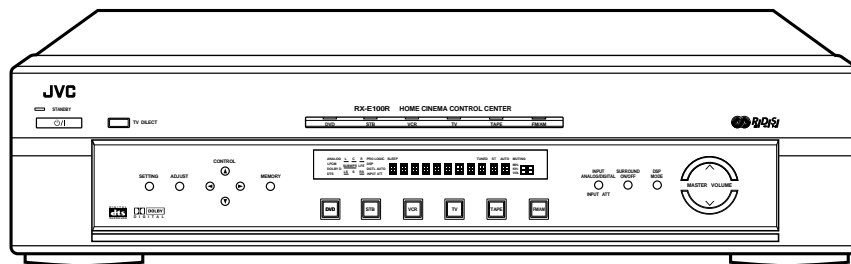
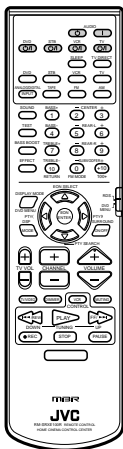


# JVC

## SERVICE MANUAL

### AUDIO/VIDEO CONTROL RECEIVER

# RX-E100RSL RX-E100RSB



#### Area Suffix

#### RX-E100RSL

B ..... U.K.  
E ..... Continental Europe  
EN ..... Northern Europe

#### RX-E100RSB

E ..... Continental Europe  
EN ..... Northern Europe



#### Each difference points

MODEL	Source indication lens colour
RX-E100RSL	SILVER
RX-E100RSB	SILVER BLACK

### Contents

Safety precautions .....	1- 2
Disassembly method .....	1- 3
Adjustment method .....	1- 8
Description of major ICs .....	1- 9 ~ 15

## Safety Precautions

1. This design of this product contains special hardware and many circuits and components specially for safety purposes. For continued protection, no changes should be made to the original design unless authorized in writing by the manufacturer. Replacement parts must be identical to those used in the original circuits. Services should be performed by qualified personnel only.
2. Alterations of the design or circuitry of the product should not be made. Any design alterations of the product should not be made. Any design alterations or additions will void the manufacturer's warranty and will further relieve the manufacture of responsibility for personal injury or property damage resulting therefrom.
3. Many electrical and mechanical parts in the products have special safety-related characteristics. These characteristics are often not evident from visual inspection nor can the protection afforded by them necessarily be obtained by using replacement components rated for higher voltage, wattage, etc. Replacement parts which have these special safety characteristics are identified in the Parts List of Service Manual. Electrical components having such features are identified by shading on the schematics and by ( $\triangle$ ) on the Parts List in the Service Manual. The use of a substitute replacement which does not have the same safety characteristics as the recommended replacement parts shown in the Parts List of Service Manual may create shock, fire, or other hazards.
4. The leads in the products are routed and dressed with ties, clamps, tubings, barriers and the like to be separated from live parts, high temperature parts, moving parts and/or sharp edges for the prevention of electric shock and fire hazard. When service is required, the original lead routing and dress should be observed, and it should be confirmed that they have been returned to normal, after re-assembling.

### 5. Leakage current check (Electrical shock hazard testing)

After re-assembling the product, always perform an isolation check on the exposed metal parts of the product (antenna terminals, knobs, metal cabinet, screw heads, headphone jack, control shafts, etc.) to be sure the product is safe to operate without danger of electrical shock.

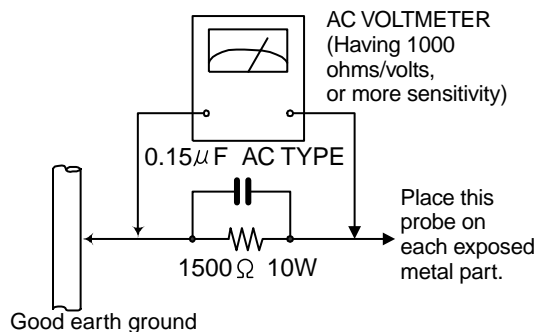
Do not use a line isolation transformer during this check.

- Plug the AC line cord directly into the AC outlet. Using a "Leakage Current Tester", measure the leakage current from each exposed metal parts of the cabinet, particularly any exposed metal part having a return path to the chassis, to a known good earth ground. Any leakage current must not exceed 0.5mA AC (r.m.s.).

- Alternate check method

Plug the AC line cord directly into the AC outlet. Use an AC voltmeter having, 1,000 ohms per volt or more sensitivity in the following manner. Connect a 1,500  $\Omega$  10W resistor paralleled by a 0.15  $\mu$ F AC-type capacitor between an exposed metal part and a known good earth ground. Measure the AC voltage across the resistor with the AC voltmeter.

Move the resistor connection to each exposed metal part, particularly any exposed metal part having a return path to the chassis, and measure the AC voltage across the resistor. Now, reverse the plug in the AC outlet and repeat each measurement. Any voltage measured must not exceed 0.75 V AC (r.m.s.). This corresponds to 0.5 mA AC (r.m.s.).



## Warning

1. This equipment has been designed and manufactured to meet international safety standards.
2. It is the legal responsibility of the repairer to ensure that these safety standards are maintained.
3. Repairs must be made in accordance with the relevant safety standards.
4. It is essential that safety critical components are replaced by approved parts.
5. If mains voltage selector is provided, check setting for local voltage.

## CAUTION

**Burrs formed during molding may be left over on some parts of the chassis. Therefore, pay attention to such burrs in the case of performing repair of this system.**

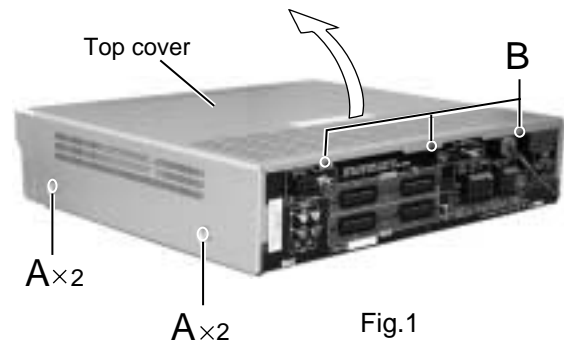
In regard with component parts appearing on the silk-screen printed side (parts side) of the PWB diagrams, the parts that are printed over with black such as the resistor (■), diode (▣) and ICP (●) or identified by the " $\triangle$ " mark nearby are critical for safety.

When replacing them, be sure to use the parts of the same type and rating as specified by the manufacturer. (Except the JC version)

## Disassembly method

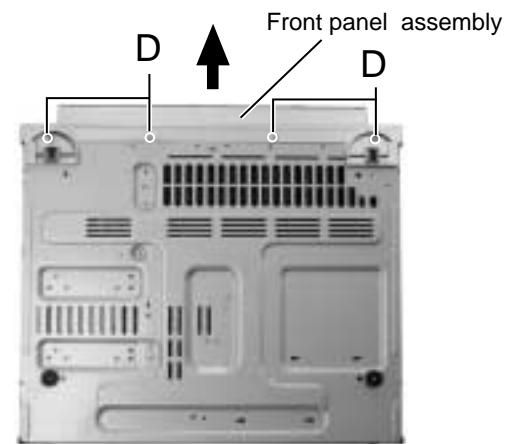
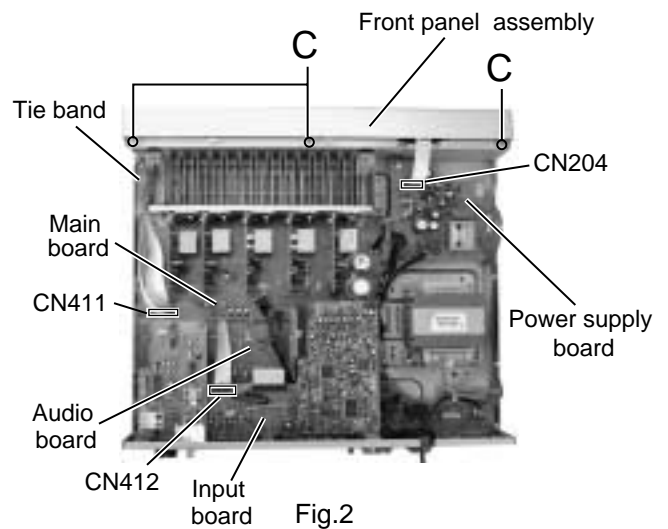
### ■ Removing the top cover (See Fig.1)

1. Remove the four screws A attaching the top cover on both sides of the body.
2. Remove the three screws B on the back of the body.
3. Remove the top cover from behind in the direction of the arrow while pulling both sides outward.



### ■ Removing the front panel assembly (See Fig.2 and 3)

- Prior to performing the following procedure, remove the top cover.
1. Disconnect the card wire from connector CN411 on the audio board, CN412 on the input board and CN204 on the power supply board in the front panel assembly.
  2. Cut off the tie band fixing the harness.
  3. Remove the three screws C attaching the front panel assembly.
  4. Remove the four screws D attaching the front panel assembly on the bottom of the body. Detach the front panel assembly toward the front.



### ■ Removing the rear panel (See Fig.4)

- Prior to performing the following procedure, remove the top cover.
1. Remove the power cord stopper from the rear panel by moving it in the direction of the arrow.
  2. Remove the twenty one screws E attaching the each boards to the rear panel on the back of the body.
  3. Remove the four screws F attaching the rear panel on the back of the body.

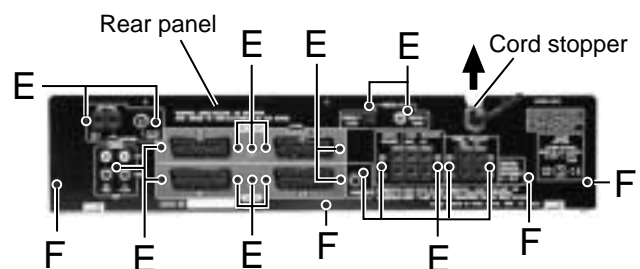


Fig.4

**■ Removing each board connected to the rear side of the audio board**  
**(See Fig.5 to 7)**

• Prior to performing the following procedure, remove the top cover and the rear panel.

1. Cut off the tie band fixing the harness.
2. Disconnect the tuner board and DSP board from connector CN111, CN112 and CN681 on the each Relay board.
3. Disconnect the Relay board from connector CN503, CN504 and CN501 on the audio board.
4. Disconnect the card wire connected to connector CN412 and CN512 on the Input board.

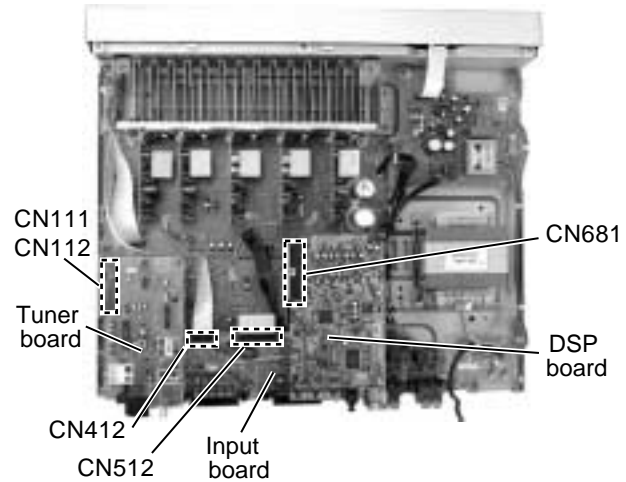


Fig.5

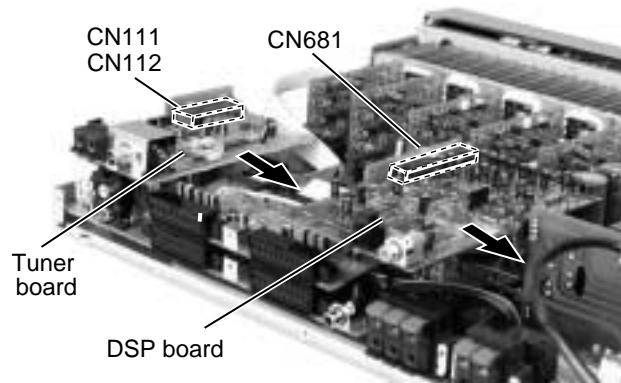


Fig.6

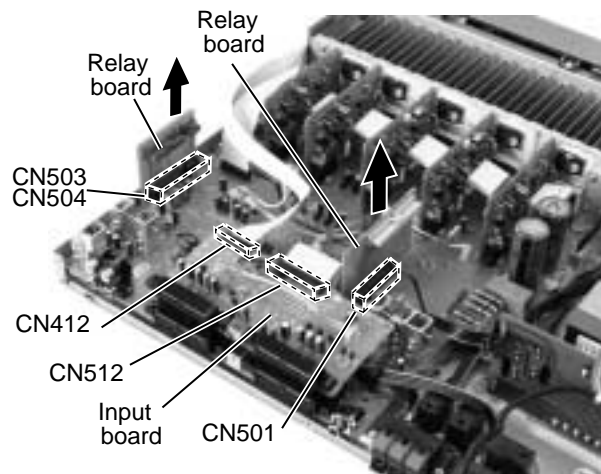


Fig.7

### ■ Removing the audio board (See Fig.8)

- Prior to performing the following procedure, remove the top cover, the rear panel and the each board.

1. Disconnect the card wire from connector CN411 on the audio board.
2. Disconnect the harness from connector CN205 on the audio board.
3. Disconnect the harness from connector CN515, CN516, and CN517 on the main board.
4. Remove the harness band fixing the harness.
5. Remove the three screws G attaching the audio board assembly.

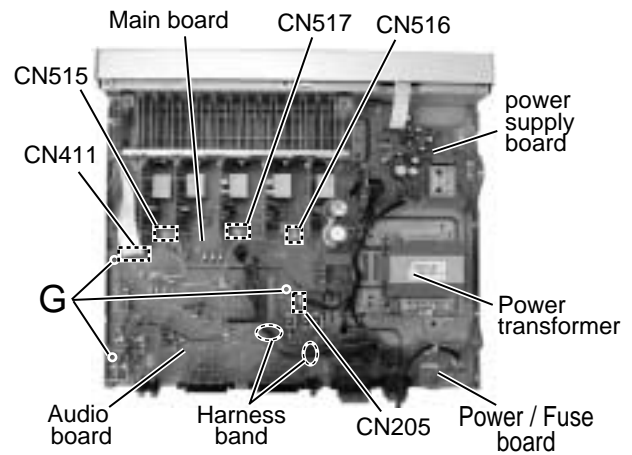


Fig.8

### ■ Removing the main board (See Fig.9)

- Prior to performing the following procedure, remove the top cover, the rear panel and audio board.

1. Remove the harness band fixing the harness.
2. Disconnect the harness from connector CN707 on the power supply board.
3. Disconnect the harness from connector CN202 and CN206 on the main board.
4. Remove the five screws H and the two screws I attaching the main board.

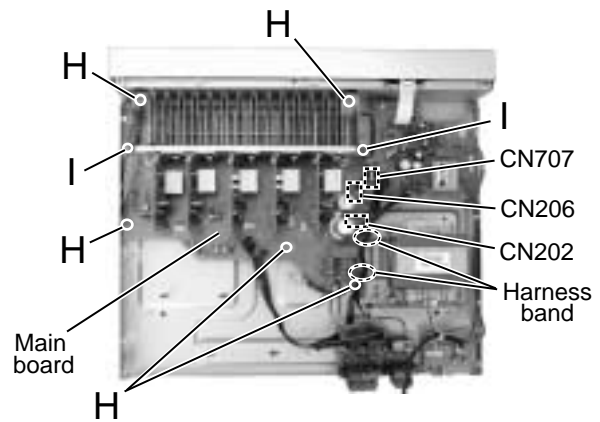


Fig.9

### ■ Removing the Heat sink (See Fig.10 to 11)

1. Remove the ten screws K and four screws L attaching the heat sink.
2. Remove the two screws J attaching the heat sink from the rear side of main board.

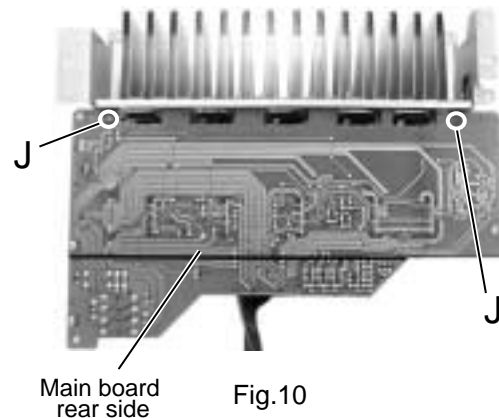


Fig.10

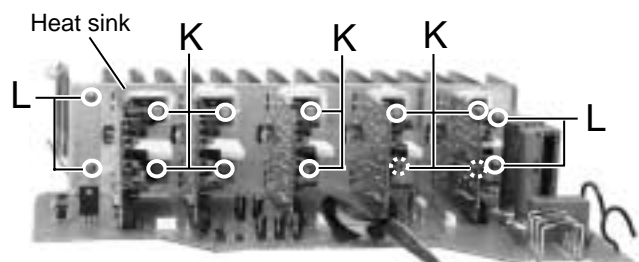


Fig.11

**■ Removing the power supply board**  
(See Fig.12)

- Prior to performing the following procedure, remove the top cover.
1. Disconnect the card wire from connector CN204 on the power supply board.
  2. Disconnect the harness connected to connector CN707 and CN201 on the power supply board (If necessary, cut off the band fixing the harness on the side of the base chassis).
  3. Disconnect the harness connected to connector CN206 on the main board
  4. Remove the three screws N attaching the power supply board.
  5. Unsolder the three harnesses connected to the power supply board.

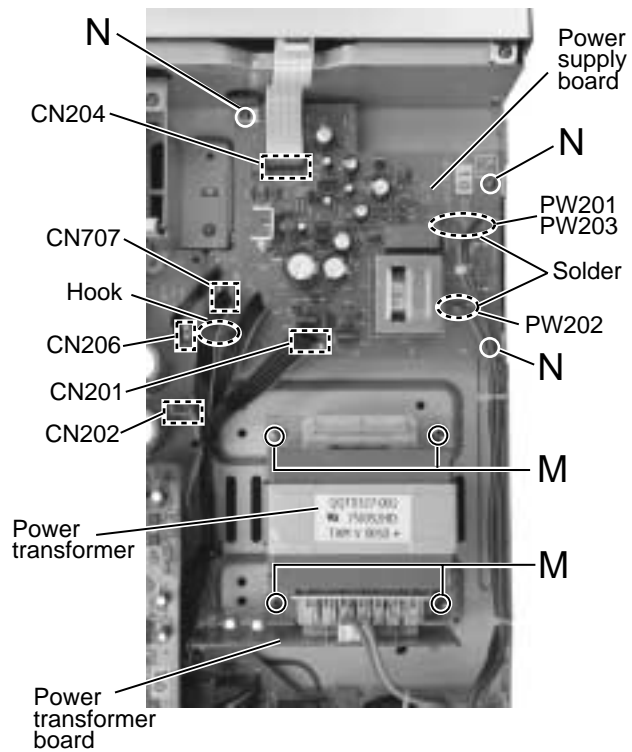


Fig.12

**■ Removing the power transformer**  
(See Fig.12 and 13)

- Prior to performing the following procedures, remove the top cover.
1. Disconnect the harness from connector CN217 on the power / fuse board.
  2. Disconnect the harness from connector CN201 and CN202 on the power supply board and main board.
  3. Remove the four screws M attaching the power transformer.

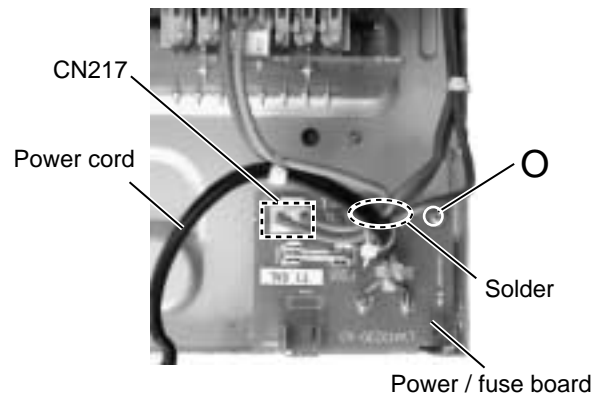


Fig.13

**■ Removing the power / fuse board**  
(See Fig.13)

- Prior to performing the following procedure, remove the top cover and the rear panel.
1. Disconnect the harness connected to connector CN217 on the power / fuse board (If necessary, cut off the band fixing the harness on the side of the base chassis).
  2. Unsolder the power cord and other harnesses connected to the power / fuse board.
  3. Remove the screw O attaching the power / fuse board.

**■ Removing the system control board / power switch board (See Fig.14)**

- Prior to performing the following procedure, remove the top cover and the front panel assembly.
1. Remove the two screws P attaching the power switch board.
  2. Remove the eight screws Q attaching the system control board.

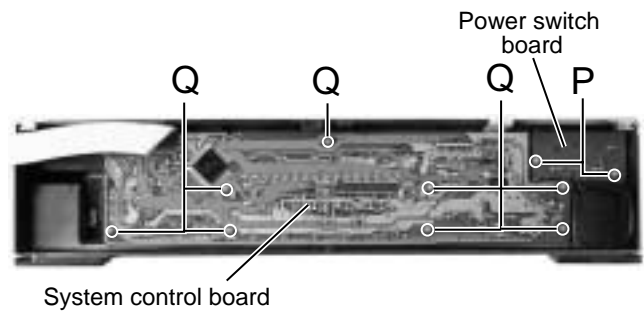


Fig.14

# Adjustment method

## ■ Power amplifier section

### Adjustment of idling current

Measurement terminal      B451-B452(Lch) , B453-B454(Rch)

Adjustment volume        VR301(Lch) , VR302(Rch)

#### Attention

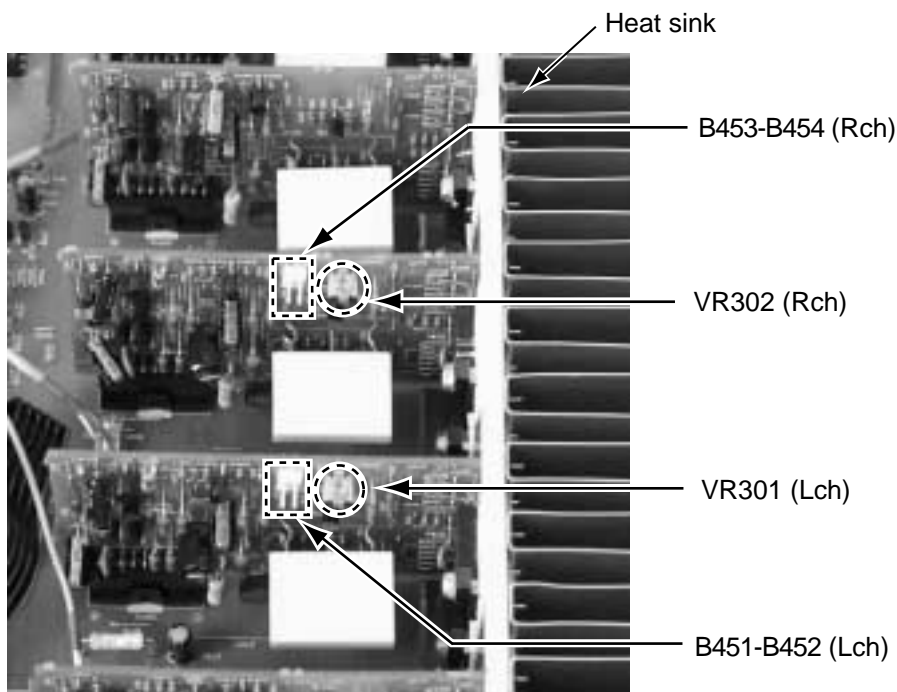
**This adjustment does not obtain a correct adjustment value immediately after the amplifier is used (state that an internal temperature has risen).**

**Please adjust immediately after using the amplifier after turning off the power supply of the amplifier and falling an internal temperature.**

#### <Adjustment method>

1. Prior to turning the power ON, fully turn the adjusting resistor (VR301(Lch),VR302(Rch)) counterclockwise direction and connect the DC voltmeter to the measuring terminal(B451-B452(Lch) , B453-B454(Rch)).
2. Set the surround mode OFF.
3. Adjust the resistor so that the measured value becomes 2mV immediately after turning the power ON.
4. When the idling current has been stable (about 30 minutes after the power is turned ON), confirm that the measured value falls within 1.0mV~10mV(2.3mV).

\* It is not abnormal though the idling current might not become 0mA even if it is finished to turn variable resistance (VR301VR302) in the direction of counterclockwise.

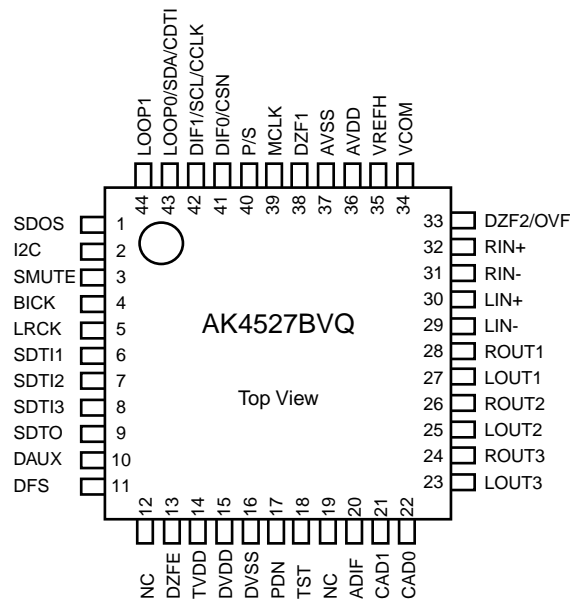




# Description of major ICs

## ■ AK4527B (IC601) : A/D,D/A Converter

### 1.Pin layout



### 2. Pin function (1/2)

AK4527(1/2)

No.	Pin name	I/O	Function
1	SDOS	I	SDTO Source Select Pin (Note 1) "L" : Internal ADC output, "H" : DAUX input
2	I2C	I	Control Mode Select Pin "L" : 3-wire Serial, "H" : I2C Bus
3	SMUTE	I	Soft Mute Pin (Note 1) When this pin goes to "H", soft mute cycle is initialized. When returning to "L", the output mute releases.
4	BICK	I	Audio Serial Data Clock Pin
5	LRCK	I/O	Input Channel Clock Pin
6	SDTI1	I	DAC1 Audio Serial Data Input Pin
7	SDTI2	I	DAC2 Audio Serial Data Input Pin
8	SDTI3	I	DAC3 Audio Serial Data Input Pin
9	SDTO	O	Audio Serial Data Output Pin
10	DAUX	I	Sub Audio Serial Data Input Pin
11	DFS	I	Double Speed Sampling Mode Pin (Note 1) "L" : Normal Speed, "H" : Double Speed
12	NC	-	No Connect No internal bonding.
13	DZEF	I	Zero Input Detect Enable Pin "L" : mode 7 (disable) at parallel mode, zero detect mode is selectable by DZFM2-0 bits at serial mode. "H" : mode 0 (DZF is AND of all six channels)
14	TVDD	-	Output Buffer Power supply Pin, 2.7V~5.5V
15	DVDD	-	Digital Power Supply Pin, 4.5V~5.5V
16	DVSS	-	De-emphasis Pin, 0V
17	PDN	I	Power-Down & Reset Pin When "L", the AK4527B is powered-down and the control registers are reset to default state. If the state of P/S or CAD0-1 changes, then the AK4527B must be reset by PDN.
18	TST	I	Test Pin This pin should be connected to DVSS.

## Pin function (2/2)

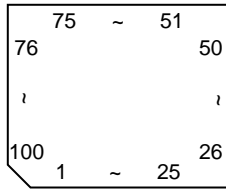
AK4527(1/2)

No.	Pin name	I/O	No Connect	Function
19	NC	-	No internal bonding.	Analog Input Format Select Pin
20	ADIF	I	"H" : Full-differential input, "L" : Single-ended input	Chip Address 1 Pin
21	CAD1	I		Chip Address 0 Pin
22	CAD0	I		DAC3 Lch Analog Output Pin
23	LOUT3	O		DAC3 Rch Analog Output Pin
24	ROUT3	O		DAC2 Lch Analog Output Pin
25	LOUT2	O		DAC2 Rch Analog Output Pin
26	ROUT2	O		DAC1 Lch Analog Output Pin
27	LOUT1	O		DAC1 Rch Analog Output Pin
28	ROUT1	O		Lch Analog Negative Input Pin
29	LIN-	I		Lch Analog Positive Input Pin
30	LIN+	I		Rch Analog Negative Input Pin
31	RIN-	I		Rch Analog Positive Input Pin
32	RIN+	I		Zero Input Detect 2 Pin (Note 2)
33	DZF2	O		When the input data of the group 1 follow total 8192LRCK cycles with "0" input data, this pin goes to "H". Analog Input Overflow Detect Pin (Note 3)
	OVF	O		This pin goes to "H" if the analog input of Lch or Rch is overflows. Common Voltage Output Pin,AVDD/2
34	VCOM	O		Large external capacitor around 2.2uF is used to reduce power-supply noise. Positive Voltage Reference Input Pin,AVDD
35	VREFH	I		Analog Power Supply Pin,4.5V~5.5V
36	AVDD	-		Analog Ground Pin,0V
37	AVSS	-		Zero Input Detect 1 Pin (Note 2)
38	DZF1	O		When the input data of the group 1 follow total 8192 LRCK cycles with "0" input data, this pin goes to "H". Master Clock Input Pin
39	MCLK	I		Parallel / Serial Select Pin
40	P/S	I	"L" : Serial control mode, "H" : Parallel control mode	Audio Data Interface Format 0 Pin in parallel mode
41	DIF0	I		Chip select pin in 3-wire serial control mode
	CSN	I		This pin should be connected to DVDD at I2C bus control mode Audio Data Interface Format 1 Pin in parallel mode
42	DIF1	I		Control Data Clock Pin in serial control mode
	SCL/CCLK	I		I2C = "L" : CCLK(3-wire Serial), I2C = "H" : SCL(I2C Bus) Loopback Mode 0 Pin in parallel control mode
43	LOOP0	I		Enables digital loop-back from ADC to 3 DACs. Control Data Input Pin in serial control mode
	SAD/CDTI	I/O		I2C = "L" : CDTI(3-wire Serial), I2C = "H" : SDA(I2C Bus) Loopback Mode 1 Pin (Note 1)
44	LOOP1	I		Enable all 3 DAC channels to be input from SDTII.

- Notes : 1. SDOS, SMUTE, DFS, and LOOP1 pins are ORed with register data if P/S = "L".  
2. The group 1 and 2 can be selected by DZFM2-0 bit if P/S = "L" and DZFME = "L".  
3. This pin becomes OVF pin if OVFE bit is set to "1" at serial control mode.  
4. All input pins should not be left floating.

## ■ UPD784215AGC103 (IC671) : UNIT CPU

### 1.Pin layout



### 2.Pin function

Pin No.	Symbol	I/O	Function
1-8		-	Non connect
9	VDD	-	Power supply terminal
10	X2	O	Connecting the crystal oscillator for system main clock
11	X1	I	Connecting the crystal oscillator for system main clock
12	VSS	-	Connect to GND
13	XT2	O	Connecting the crystal oscillator for system sub clock
14	XT1	I	Connecting the crystal oscillator for system sub clock
15	RESET	I	System reset signal input
16	AUTODATA	I	Output of DSP to general-purpose port
17	LOCK	I	Output of DSP to general-purpose port
18	DIGITAL0	I	Output of DSP to general-purpose port
19	FORMAT	I	Output of DSP to general-purpose port
20	CHANNEL	I	Output of DSP to general-purpose port
21	ERR	I	Output of DSP to general-purpose port
22	RSTDET	I	Reset signal input
23	AVDD	-	Power supply terminal
24	AVREF0	-	Connect to GND
25-32		-	Connect to GND
33	AVSS	-	Connect to GND
34,35		-	Non connect
36	AV REF1	-	Power supply terminal
37,38	RX,TX	-	Not use
39		-	Non connect
40	DSPCOM	I	Communication port from IC701
41	DSPSTS	O	Status communication port to IC701
42	DSPCLK	I	Clock input from IC701
43	DSPRDY	I	Ready signal input from IC701
44		-	Non connect
45,46	MIDIO_IN/OUT	I/O	Interface I/O terminal with microcomputer
47	MICK	O	Interface I/O terminal with microcomputer of clock signal
48	MICS	O	Interface I/O terminal with microcomputer of chip select
49	MILP	O	Interface I/O terminal with microcomputer
50	MIACK	O	Interface I/O terminal with microcomputer
51,52		-	Non connect
53	DSPRST	O	Reset signal output of DSP
54-63		-	Non connect
64,65	CDTI/CDTO	I/O	Interface I/O terminal with microcomputer
66	CCLK	O	Interface I/O terminal with microcomputer of clock signal
67	CS	O	Interface I/O terminal with microcomputer of chip select
68	XTS	O	OSC Select
69,70		-	Non connect
71	PD	O	Reset signal output
72	GND	-	Connect to GND
73-80		-	Non connect
81	VDD	-	Power supply
82	3D-ON	-	Non connect
83	3D-ON	O	Switch at output destination of surround channel
84	ANA/T-TONE	O	Test tone control
85	REF-MIX	O	Control at output destination of LFE channel
86		-	Non connect
87	D.MUTE	O	Mute of the digital out terminal is controlled
88	S.MUTE	O	Mute of the audio signal is controlled
89		-	Non connect
90-93	ASW1-4	O	Selection of digital input selector
94	TEST	-	Test terminal
95-100		-	Non connect

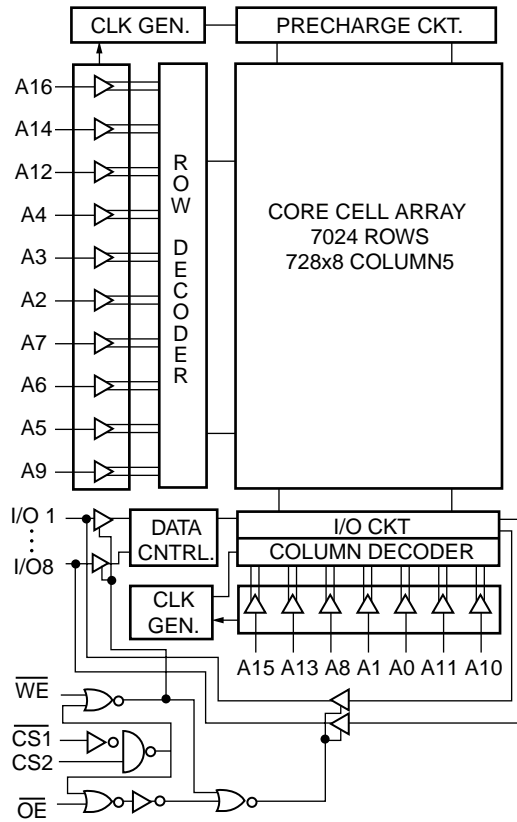
**■ TC9446F-014 (IC631) : Digital signal processor for dolby digital (AC-3)  
/ MPEG2 audio decode**

Pin No.	Symbol	I/O	Function
1	RST	I	Reset signal input terminal (L:reset H:Operation usually)
2	MIMD	I	Microcomputer interface mode selection input terminal (L:serial H:IC bus)
3	MICS	I	Microcomputer interface chip select input terminal
4	MILP	I	Microcomputer interface latch pulse input
5	MIDIO	I/O	Microcomputer interface data I/O terminal
6	MICK	I	Microcomputer interface clock input terminal
7	MIACK	O	Microcomputer interface acknowledge output terminal
8~11	FI0~3	I	Flag input terminal 0~3
12	IRQ	I	Interrupt input terminal
13	VSS	-	Digital ground terminal
14	LRCKA	I	Audio interface LR clock input terminal A
15	BCKA	I	Audio interface bit clock input terminal A
16~18	SDO0~2	O	Audio interface data output terminal 0
19	SD03	-	Non connect
20	LRCKB	I	Audio interface LR clock input terminal B
21	BCKB	I	Audio interface bit clock input terminal B
22	SDT0	I	Audio interface data input terminal 0
23	SDT1	I	Audio interface data input terminal 1
24	VDD	-	Power supply for digital circuit
25	LRCKOA	O	Audio interface LR clock output terminal A
26	BCKOA	O	Audio interface bit clock output terminal A
27,28	TEST0,1	I	Test input terminal 0/1 (L:test H:operation usually)
29~31	LRCKOB,BCKOB,TXO	-	Non connect
32,33	TEST2,3	I	Test input terminal (L:test H:operation usually)
34	RX	I	SPDIF input terminal
35	VSS	-	Ground terminal for digital circuit
36	TSTSUB0	I	Test sub input terminal 0 (L:test H:operation usually)
37	FCONT	O	VCO Frequency control output terminal
38,39	TSTSUB1,TSTSUB2	I	Test sub input terminal 1,2 (L:test H:operation usually)
40	PDO	O	Phase error signal output terminal
41	VDDA	-	Power supply for analog circuit
42	PLON	I	Clock selection input terminal (L:external clock H:VCO clock)
43	AMPI	I	AMP.input terminal for LPF
44	AMPO	O	AMP.output terminal for LPF
45	CKI	I	External clock input terminal
46	VSSA	-	Ground terminal for analog circuit
47	CKO	O	DIR Clock output terminal
48	LOCK	O	VCO Lock detection output terminal
49	VSS	-	Ground terminal for digital circuit
50	WR	O	External SRAM writing signal output terminal
51	OE	O	External SRAM output enable signal output terminal
52	CE	O	External SRAM chip enable signal output terminal
53	VDD	-	Power supply terminal for digital circuit
54~61	IO7~0	I/O	External SRAM data I/O terminal 7~0
62	VSS	-	Ground terminal for digital circuit
63~70	AD0~7	O	External SRAM address output terminal 0~7
71	VDD	-	Power supply terminal for digital circuit
72~80	AD8~16	O	External SRAM address output terminal 8~16
81	VSS	-	Ground terminal for digital circuit
82~89	PO0~7	O	General purpose output terminal 0~7
90	VDDDL	-	Power supply terminal for DLL
91	LPFO	O	LPF output terminal for DLL
92,93	DLON,DLCKS	I	Refer to the undermentioned table
94	SCKO	-	Non connect
95	VSSDL	-	Ground terminal for DLL
96	SCKI	I	External system clock input terminal
97	VSSX	-	Ground terminal for oscillation circuit
98,99	XO,XI	I/O	Oscillation I/O terminal
100	VDDX	-	Power supply terminal for oscillation circuit

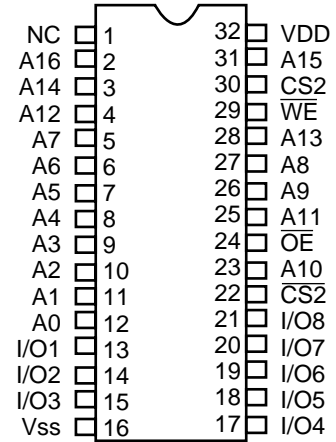
DLCKS terminal	DLONterminal	DLL clock setting
L	L	SCKI input (DLL circuit OFF)
L	H	Four times XI clock
H	L	Three times XI clock
H	H	Six times XI clock

■ **W24L010AJ-12 (IC641) : CMOS SRAM**

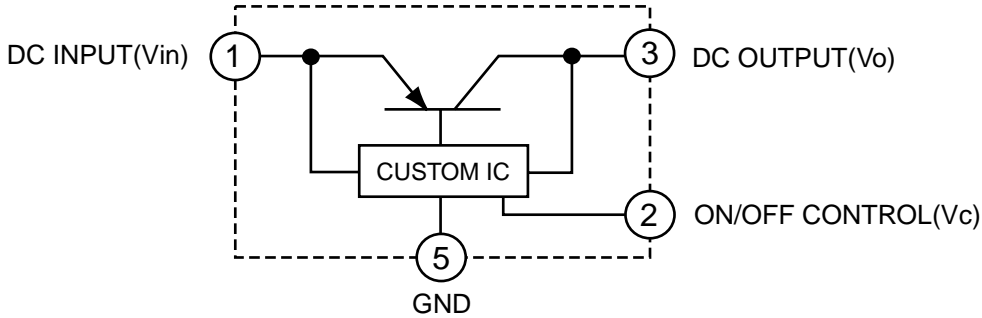
Block diagram



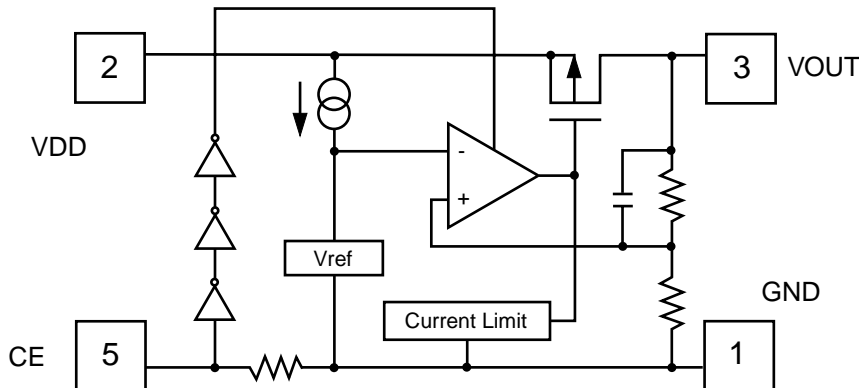
Pin layout



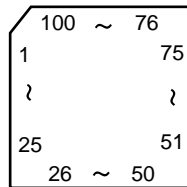
■ **PQ3DZ53 (IC681) : Regulator IC**



■ **RN5RZ33BA (IC683) : Voltage regulator**



## ■ MN101C35DHR (IC401) : System controller



### Pin function (1/2)

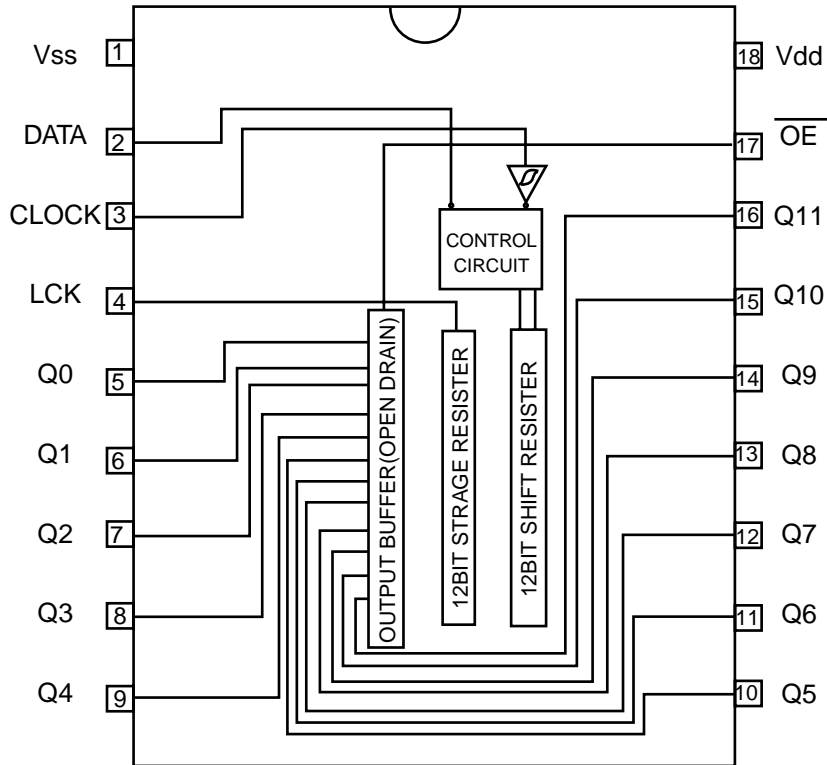
Pin No.	Symbol	I/O	Function
1	TXD/SB00/P00	-	GND
2	RXD/SBI0/P01	-	GND
3	SBT0/P02	I	PROTECTOR INPUT
4	SB01/P03	-	GND
5	SBI1/P04	-	GND
6	SBT1/P05	I	GND (TV LINK INPUT)
7	BUZZER/P06	I	SLOW SW L INPUT
8	VDD	-	POWER SUPPLY +5V
9,10	OSC1,2	I/O	OSC (8MHz)
11	VSS	-	GND
12	XI	-	GND
13	X0	O	OPEN
14	MMOD	-	GND
15	VREF-	-	GND
16	AN0/PA0	I	KEY INPUT 1 (7KEY)
17	AN1/PA1	I	KEY INPUT 2 (7KEY)
18	AN2/PA2	I	KEY INPUT 3 (7KEY)
19	AN3/PA3	I	CHIP SELECT 1
20	AN4/PA4	I	CHIP SELECT 2
21	AN5/PA5	I	SCART DVD INPUT
22	AN6/PA6	I	SCART STB INPUT
23	AN7/PA7	I	SCART VCR INPUT
24	VREF+	-	POWER SUPPLY +5V
25	P07	O	SLOW SW M OUTPUT
26	RST /P27	I	RESET INPUT
27	TM0IO/P10	O	RDS SDA IN/OUT
28	TM1IO/P11	I	RDS SCL IN/OUT
29	TM2IO/P12	O	TUNER CE
30	TM3IO/P13	I	TUNER MUTE
31	TM4IO/P14	O	TUNER CLK
32	P15	I/O	TUNER DATA IN/OUT
33	IRQ0/P20	-	GND
34	SENS/IRQ1/P21	I	REMOCON INPUT
35	IRQ2/P22	I	INH INPUT
36	IRQ3/P23	I	RDS DAVN INPUT
37	IRQ4/P24	I	TUNED INPUT
38	P25	I	STEREO INPUT
39	SB02/P30	O	DSP MICON COMMAND
40	SBI2/P31	I	DSP MICON STATUS

## Pin function (2/2)

Pin No.	Symbol	I/O	Function
41	SBT2/P32	O	DSP MICON CLK
42	P50	O	DSP MICON READY
43	P51	O	DSP MICON RESET
44	P52	O	M61501 CLK
45	P53	O	M61501 DATA
46	P54	O	M61501 LATCH
47 50	DGT17/P67 DGT14/P64	O	VIDEO SELECT 1 VIDEO SELECT 4
51 54	DGT13/P63 DGT10/P60	O	GRID 1 GRID 4
55	DGT9/P41	O	GRID 5
56	DGT8/P40	O	GRID 6
57 63	SEG0/DGT7/P77 SEG6/DGT1/P71	O	GRID 7 GRID 13
64	SEG7/DGY0/P7	O	SEGMENT 17
65 72	SEG8/P87 SEG15/P80	O	SEGMENT 18 SEGMENT 25
73 88	SEG16/P97 SEG31/PB3	O	SEGMENT 1 SEGMENT 16
89	SEG32/PB2	O	STANDBY LED
90	SEG33/PB1	O	EXPANSION BU2092 LCK
91	SEG34/PB0	O	EXPANSION BU2092 DATA
92	SEG35/PD7	O	EXPANSION BU2092 CLK
93	SEG36/PD6	O	FRONT SPK RELAY
94	SEG37/PD5	O	CENTER SPK RELAY
95	SEG38/PD4	O	REAR SPK RELAY
96	SEG39/PD3	O	POWER ON
97	SEG40/PD2	O	SWITCH MODE ON
98	SEG41/PD1	O	SUBWFR MUTE
99	SEG42/PD0	O	SOURCE MUTE
100	VPP	O	VPP

■ BU2092 (IC642) : Port expander

1. Terminal Layout



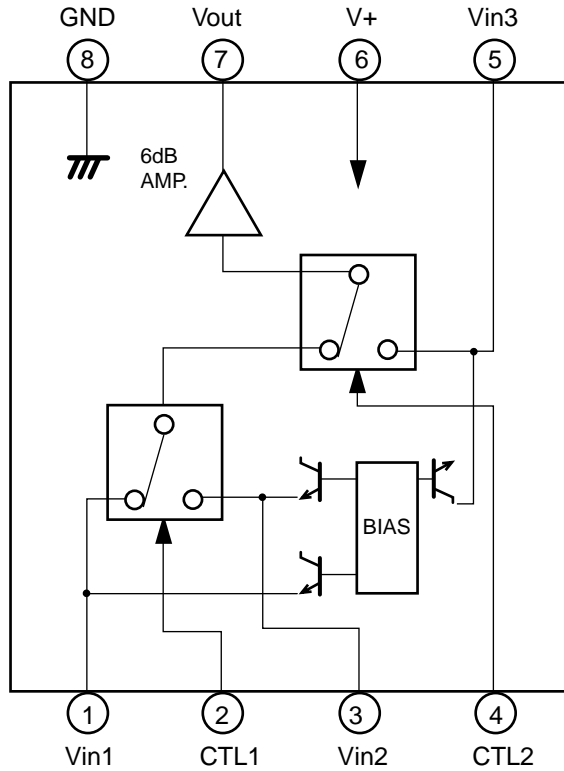
2.Pin Function

Pin No.	Symbol	I/O	Function						
1	Vss	-	Connect to GND						
2	DATA	I	Serial Data input						
3	CLOCK	I	Shift Clock of Data						
4	LCK	I	Latch Clock of Data						
5~16	Q0~Q11	O	Parallel Data Output <table border="1" style="margin-left: 20px;"> <tr> <td>Latch Data</td> <td>L</td> <td>H</td> </tr> <tr> <td>OUTPUT</td> <td>ON</td> <td>OFF</td> </tr> </table>	Latch Data	L	H	OUTPUT	ON	OFF
Latch Data	L	H							
OUTPUT	ON	OFF							
17	$\overline{\text{OE}}$	I	Output Enable						
18	Vdd	-	Power Supply						



■ NJM2246M (IC511,IC512,IC513) : Video switch

Block diagram

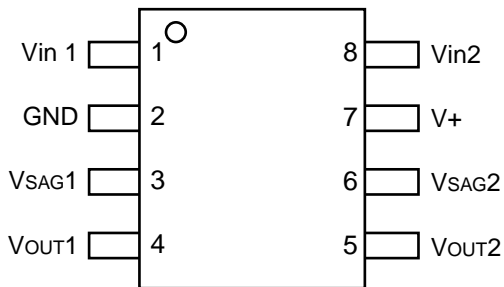


INPUT CONTROL SIGNAL- OUTPUT SIGNAL

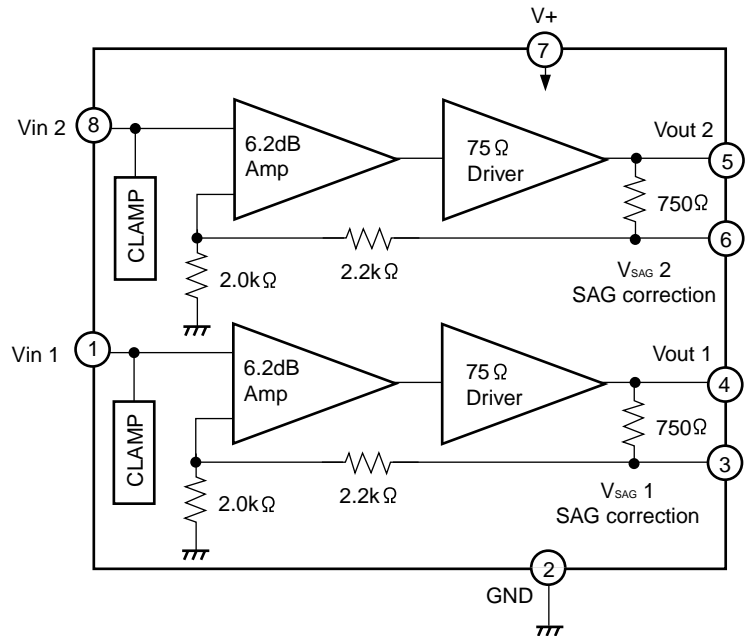
CTL1	CTL2	OUTPUT SIGNAL
L	L	Vin1
H	L	Vin2
L/H	H	Vin3

■ NJM2267M (IC516) : Video switch

1. Pin layout

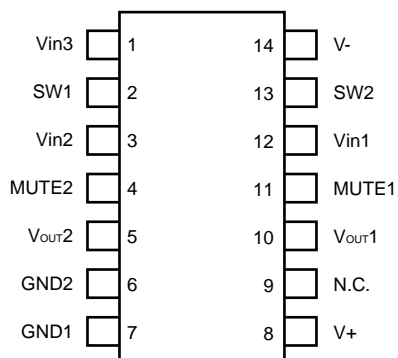


2. Block diagram

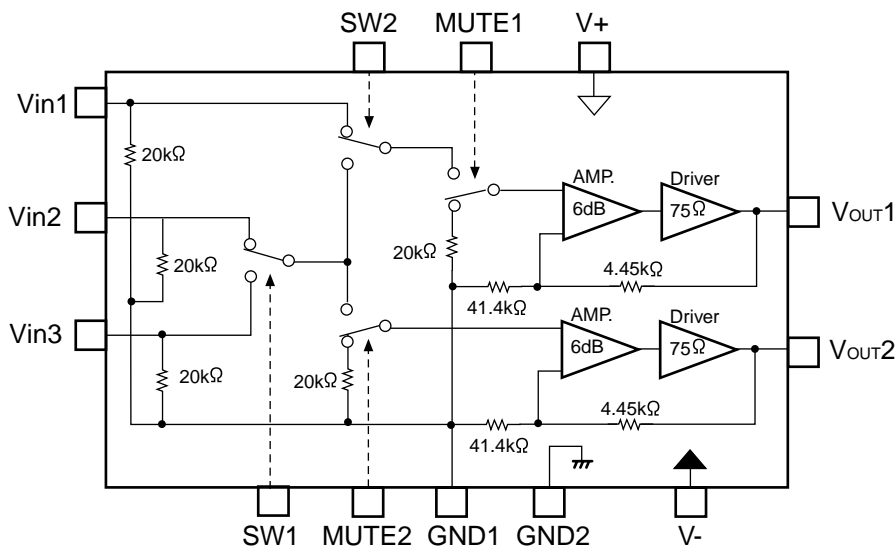


■ NJM2279M (IC515) : Video switch

1. Pin layout

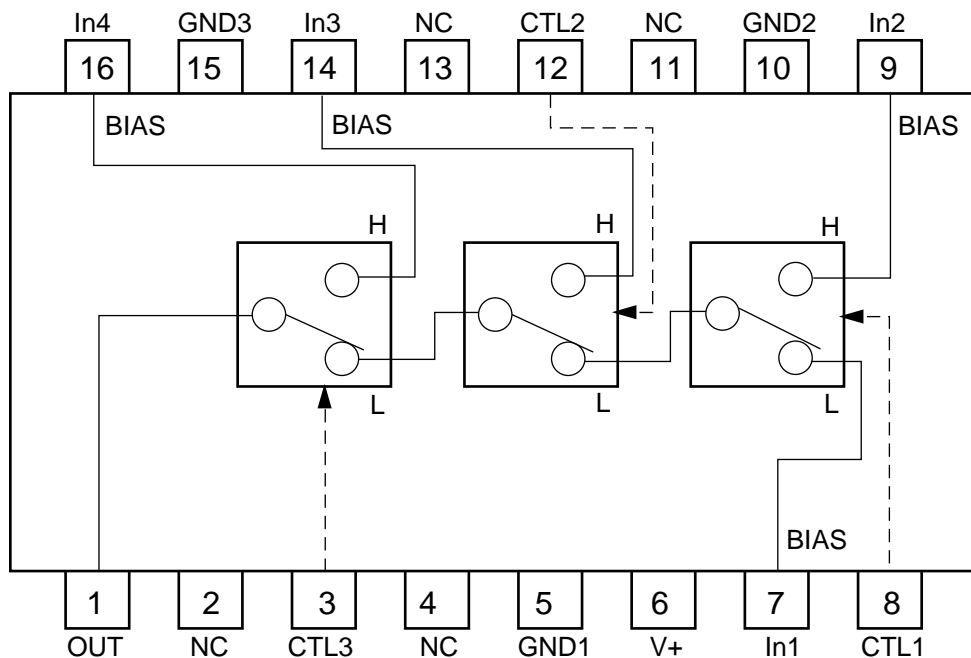


2. Block diagram



■ NJM2293 (IC514) : Video switch

Block diagram



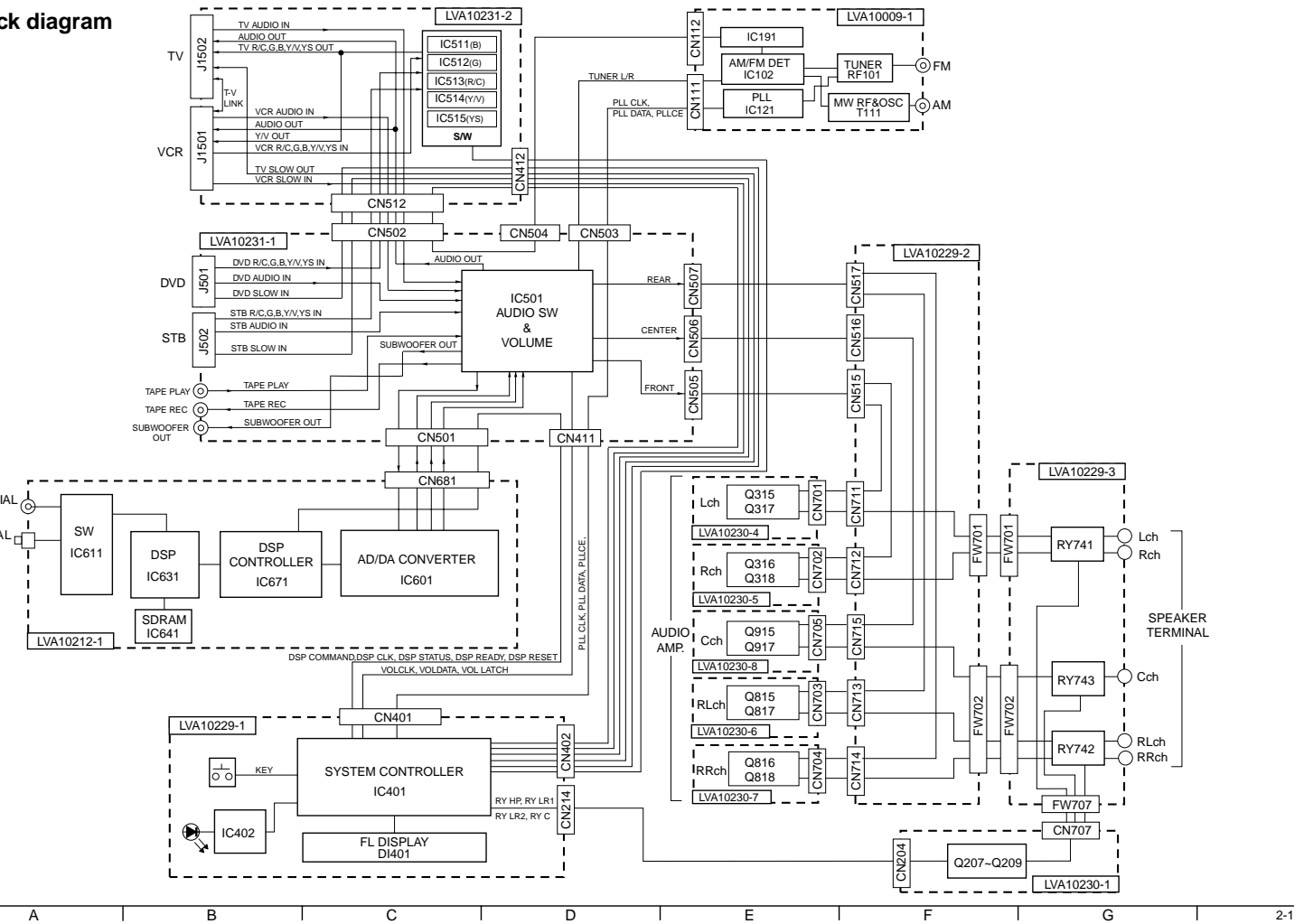
# JVC

VICTOR COMPANY OF JAPAN, LIMITED

AUDIO & COMMUNICATION BUSINESS DIVISION

PERSONAL & MOBILE NETWORK BUSINESS UNIT. 10-1,1chome,Ohwatari-machi,Maebashi-city,371-8543,Japan

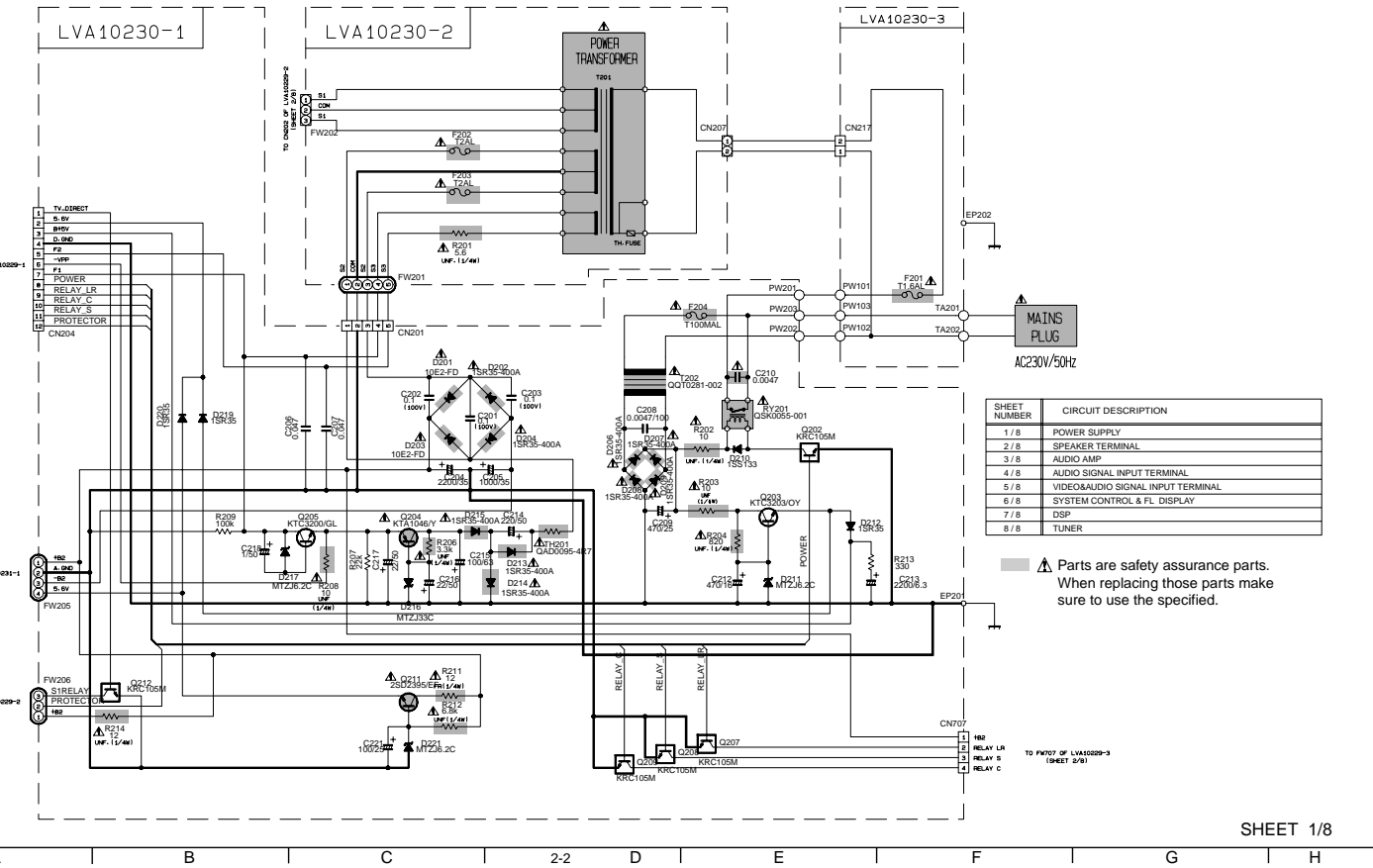
Block diagram



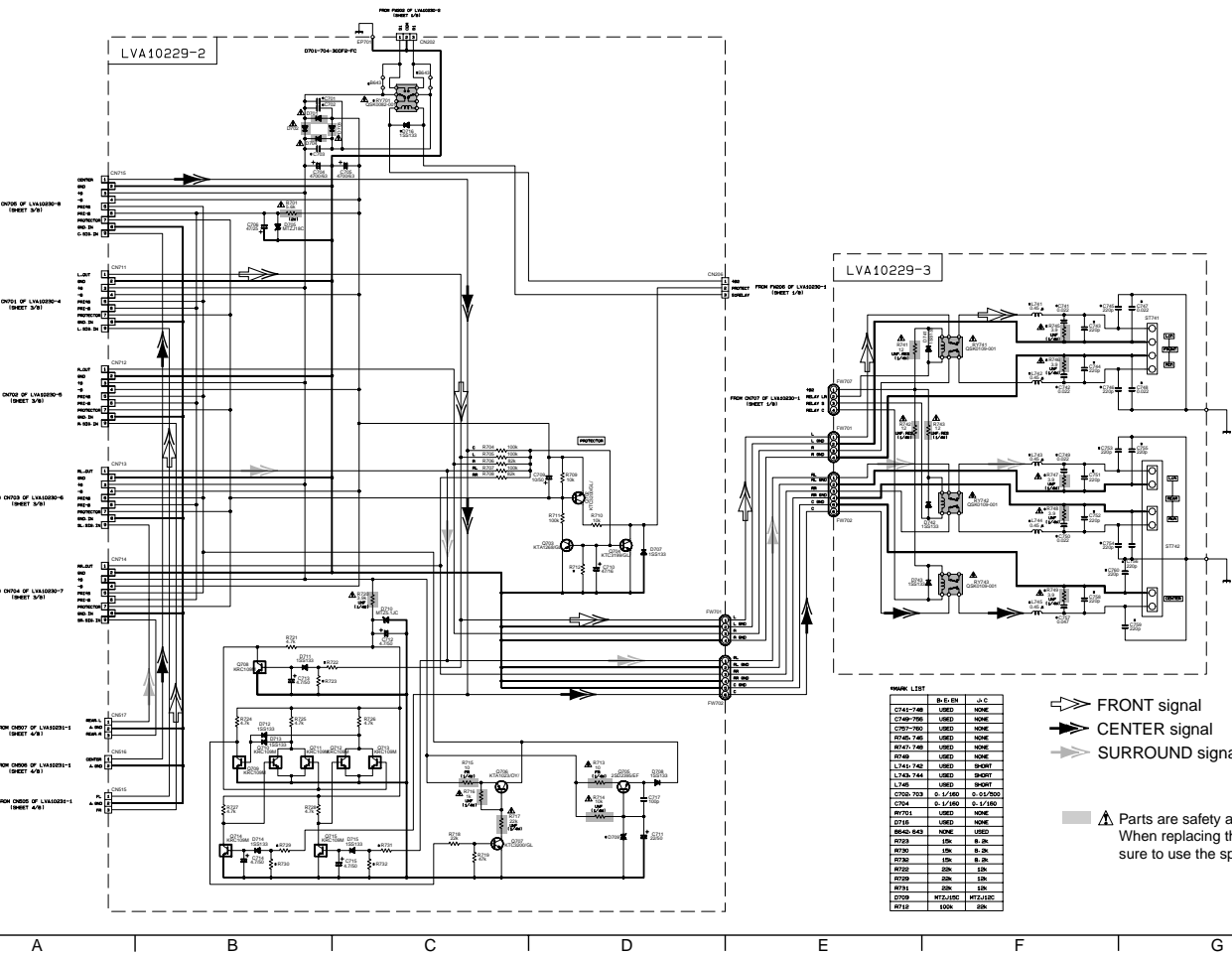
RX-E100RSL/RX-E100RSB

Power schematic diagrams  
supply section

/E/EN

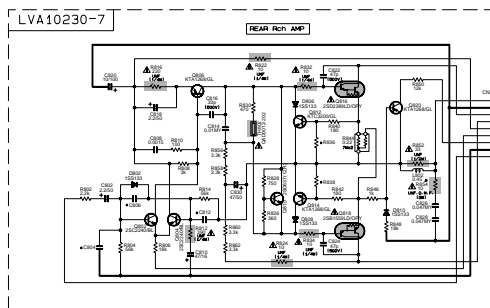
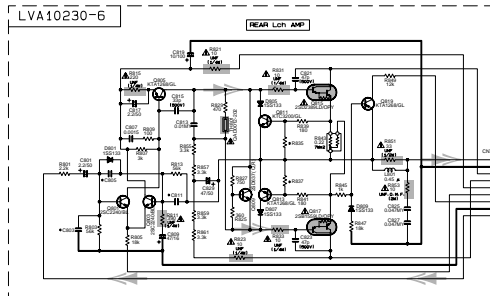
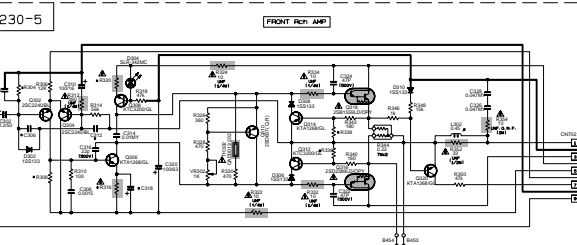
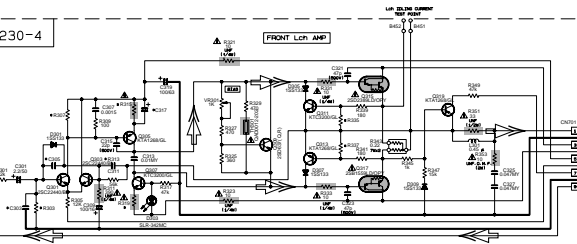
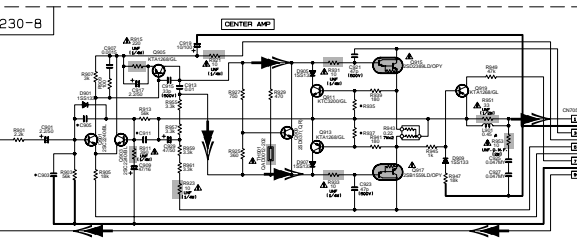


Speaker terminal section



RX-E100RSL/RX-E100RSB

mp section



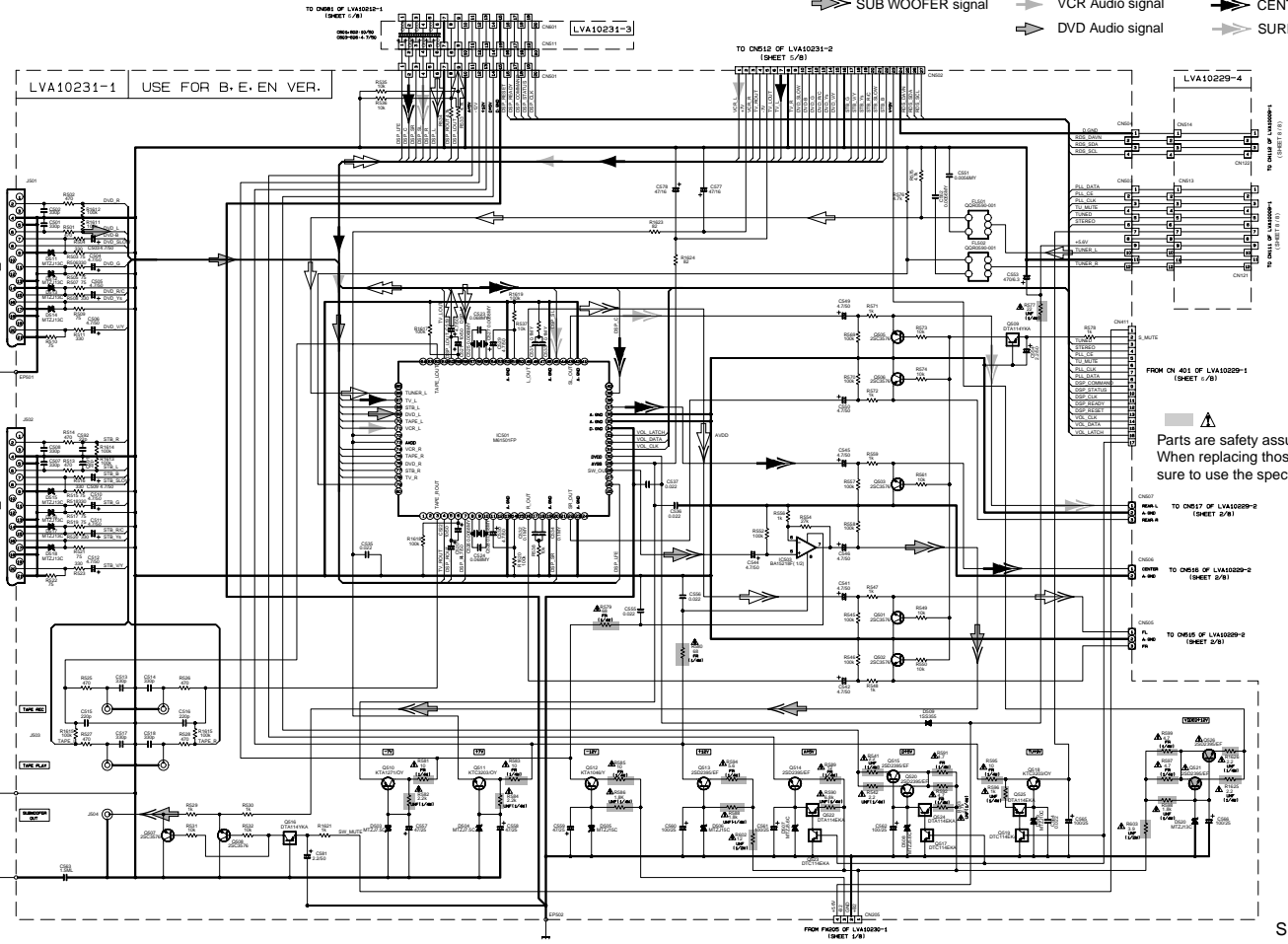
PARTS LIST

QTY	DESCRIPTION	QTY	DESCRIPTION
1	RES-304	1	RES-304
1	RES-305	1	RES-305
1	RES-306	1	RES-306
1	RES-307	1	RES-307
1	RES-308	1	RES-308
1	RES-309	1	RES-309
1	RES-310	1	RES-310
1	RES-311	1	RES-311
1	RES-312	1	RES-312
1	RES-313	1	RES-313
1	RES-314	1	RES-314
1	RES-315	1	RES-315
1	RES-316	1	RES-316
1	RES-317	1	RES-317
1	RES-318	1	RES-318
1	RES-319	1	RES-319
1	RES-320	1	RES-320
1	RES-321	1	RES-321
1	RES-322	1	RES-322
1	RES-323	1	RES-323
1	RES-324	1	RES-324
1	RES-325	1	RES-325
1	RES-326	1	RES-326
1	RES-327	1	RES-327
1	RES-328	1	RES-328
1	RES-329	1	RES-329
1	RES-330	1	RES-330
1	RES-331	1	RES-331
1	RES-332	1	RES-332
1	RES-333	1	RES-333
1	RES-334	1	RES-334
1	RES-335	1	RES-335
1	RES-336	1	RES-336
1	RES-337	1	RES-337
1	RES-338	1	RES-338
1	RES-339	1	RES-339
1	RES-340	1	RES-340
1	RES-341	1	RES-341
1	RES-342	1	RES-342
1	RES-343	1	RES-343
1	RES-344	1	RES-344
1	RES-345	1	RES-345
1	RES-346	1	RES-346
1	RES-347	1	RES-347
1	RES-348	1	RES-348
1	RES-349	1	RES-349
1	RES-350	1	RES-350
1	RES-351	1	RES-351
1	RES-352	1	RES-352
1	RES-353	1	RES-353
1	RES-354	1	RES-354
1	RES-355	1	RES-355
1	RES-356	1	RES-356
1	RES-357	1	RES-357
1	RES-358	1	RES-358
1	RES-359	1	RES-359
1	RES-360	1	RES-360
1	RES-361	1	RES-361
1	RES-362	1	RES-362
1	RES-363	1	RES-363
1	RES-364	1	RES-364
1	RES-365	1	RES-365
1	RES-366	1	RES-366
1	RES-367	1	RES-367
1	RES-368	1	RES-368
1	RES-369	1	RES-369
1	RES-370	1	RES-370
1	RES-371	1	RES-371
1	RES-372	1	RES-372
1	RES-373	1	RES-373
1	RES-374	1	RES-374
1	RES-375	1	RES-375
1	RES-376	1	RES-376
1	RES-377	1	RES-377
1	RES-378	1	RES-378
1	RES-379	1	RES-379
1	RES-380	1	RES-380
1	RES-381	1	RES-381
1	RES-382	1	RES-382
1	RES-383	1	RES-383
1	RES-384	1	RES-384
1	RES-385	1	RES-385
1	RES-386	1	RES-386
1	RES-387	1	RES-387
1	RES-388	1	RES-388
1	RES-389	1	RES-389
1	RES-390	1	RES-390
1	RES-391	1	RES-391
1	RES-392	1	RES-392
1	RES-393	1	RES-393
1	RES-394	1	RES-394
1	RES-395	1	RES-395
1	RES-396	1	RES-396
1	RES-397	1	RES-397
1	RES-398	1	RES-398
1	RES-399	1	RES-399
1	RES-400	1	RES-400

FRONT signal  
 CENTER signal  
 SURROUND signal  
 Parts are safety assurance parts.  
 When replacing those parts make sure to use the specified.

Audio signal input terminal section

- ⇨ DSP signal
- ⇨ TUNER signal
- ➔ TV Audio signal
- ⇨ FRONT signal
- ⇨ SUB WOOFER signal
- ➔ VCR Audio signal
- ➔ CENTER signal
- ➔ DVD Audio signal
- ⇨ SURROUND signal

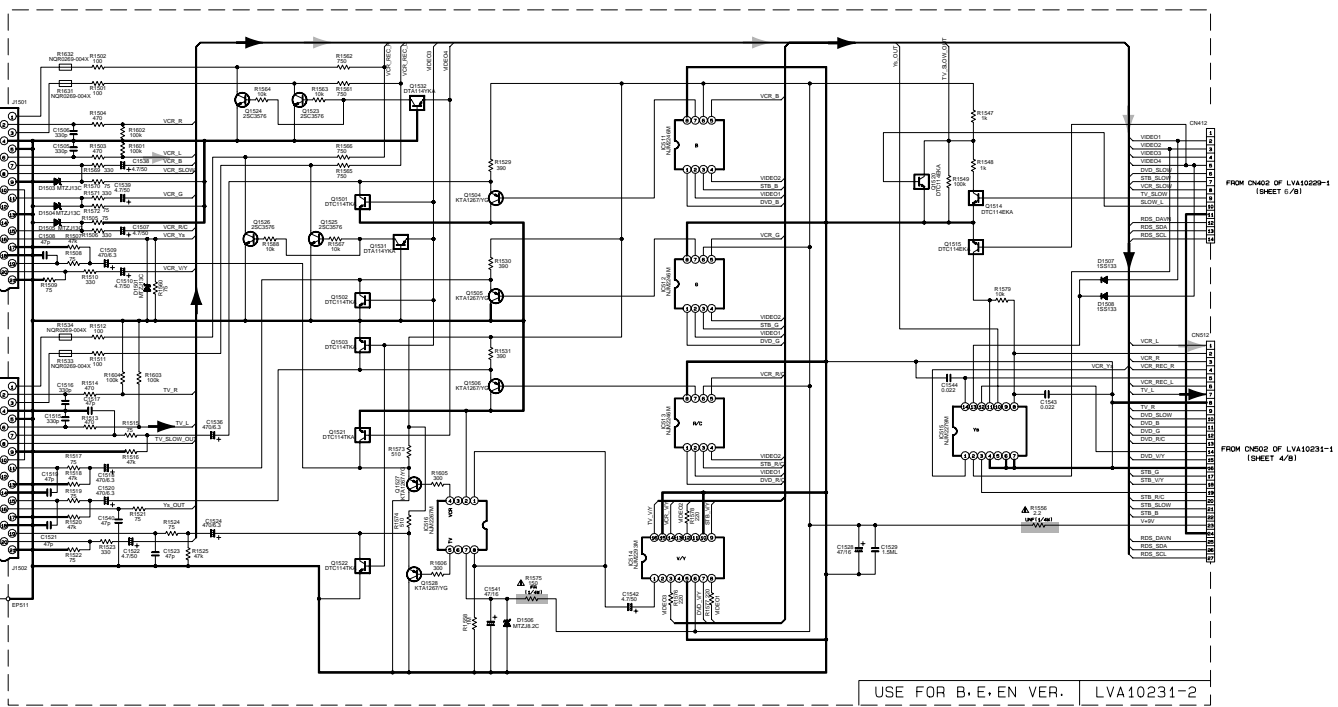


Parts are safety assurance parts.  
When replacing those parts make  
sure to use the specified.



RX-E100RSL/RX-E100RSB

Audio input terminal section



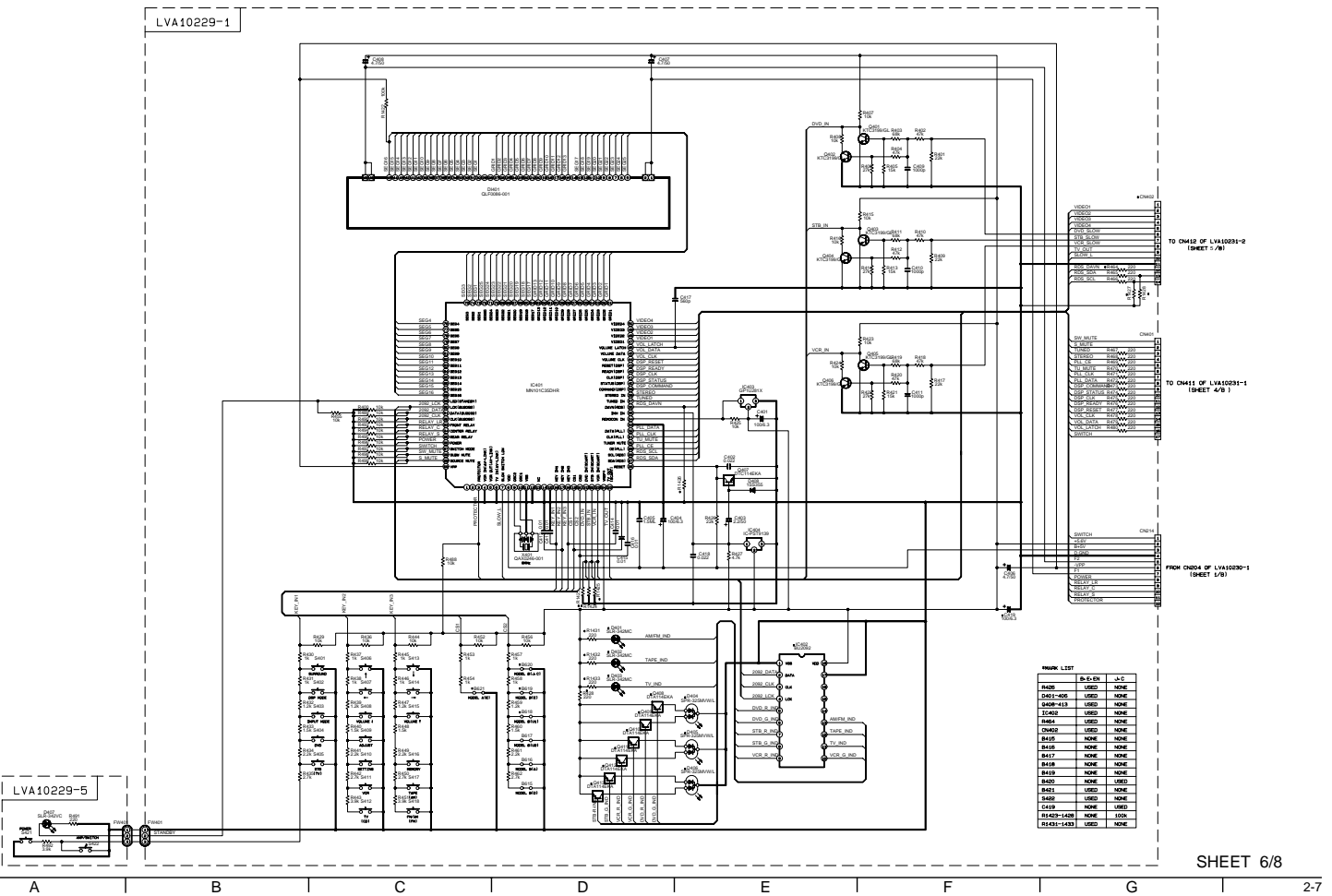
FROM OHG2 OF LVA10229-1  
(SHEET 2/8)

FROM OHG2 OF LVA10231-1  
(SHEET 4/8)

USE FOR B. E. EN VER. LVA10231-2

- ▲ Parts are safety assurance parts.  
When replacing those parts make  
sure to use the specified.
- ▶ TV Audio signal
- VCR Audio signal

tem control & FL displaying section



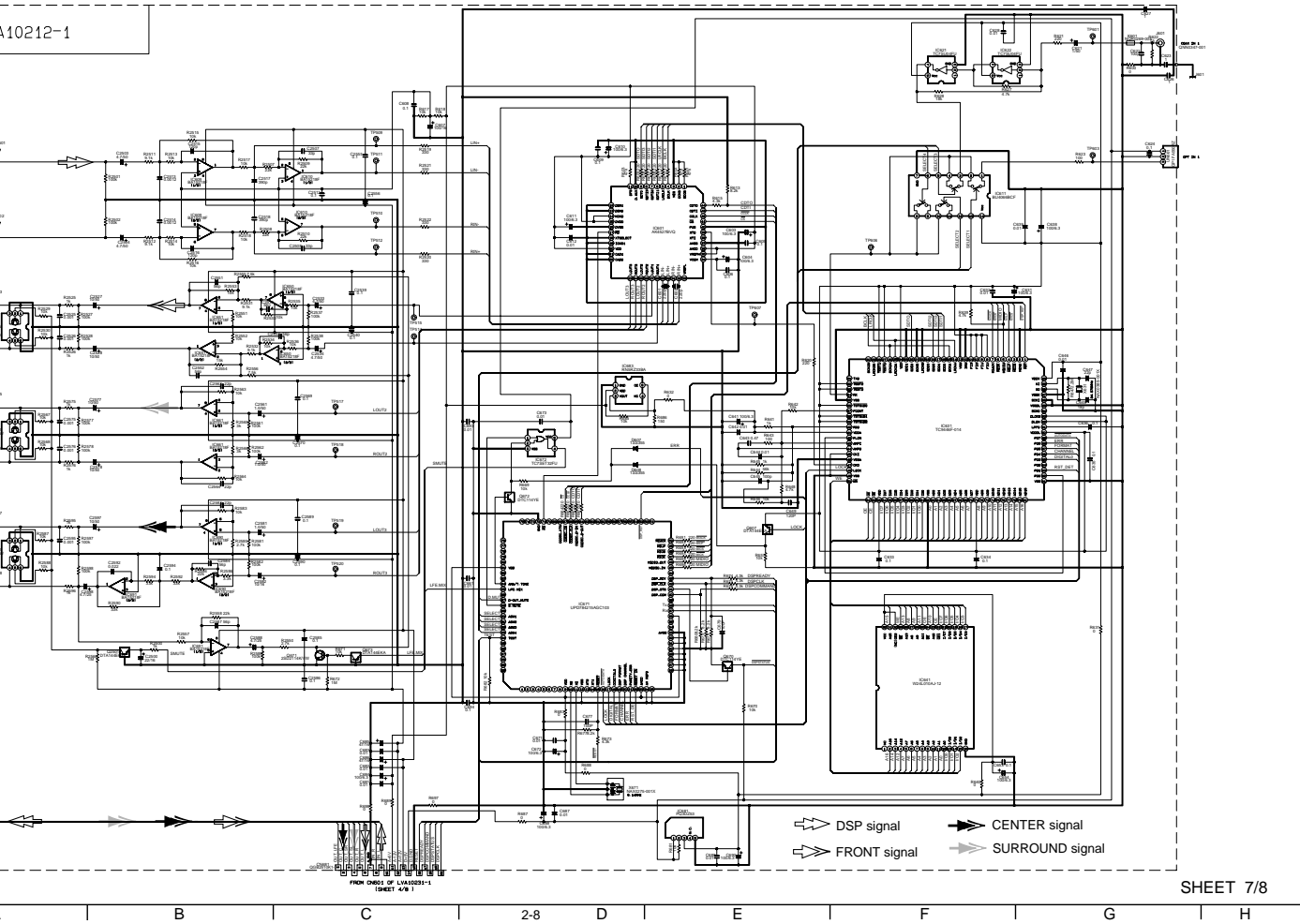
**PINN LIST**

NO	FL-FLN	J/S
R405	USED	NONE
CH01-CH02	USED	NONE
CH03-CH11	USED	NONE
CH12	USED	NONE
R404	USED	NONE
CH03	USED	NONE
R416	NONE	NONE
R417	NONE	NONE
R418	NONE	NONE
R419	NONE	NONE
R420	NONE	USED
R421	USED	NONE
R422	USED	NONE
C419	NONE	USED
R423-1-428	NONE	100%
R429-1-433	USED	NONE

RX-E100RSL/RX-E100RSB

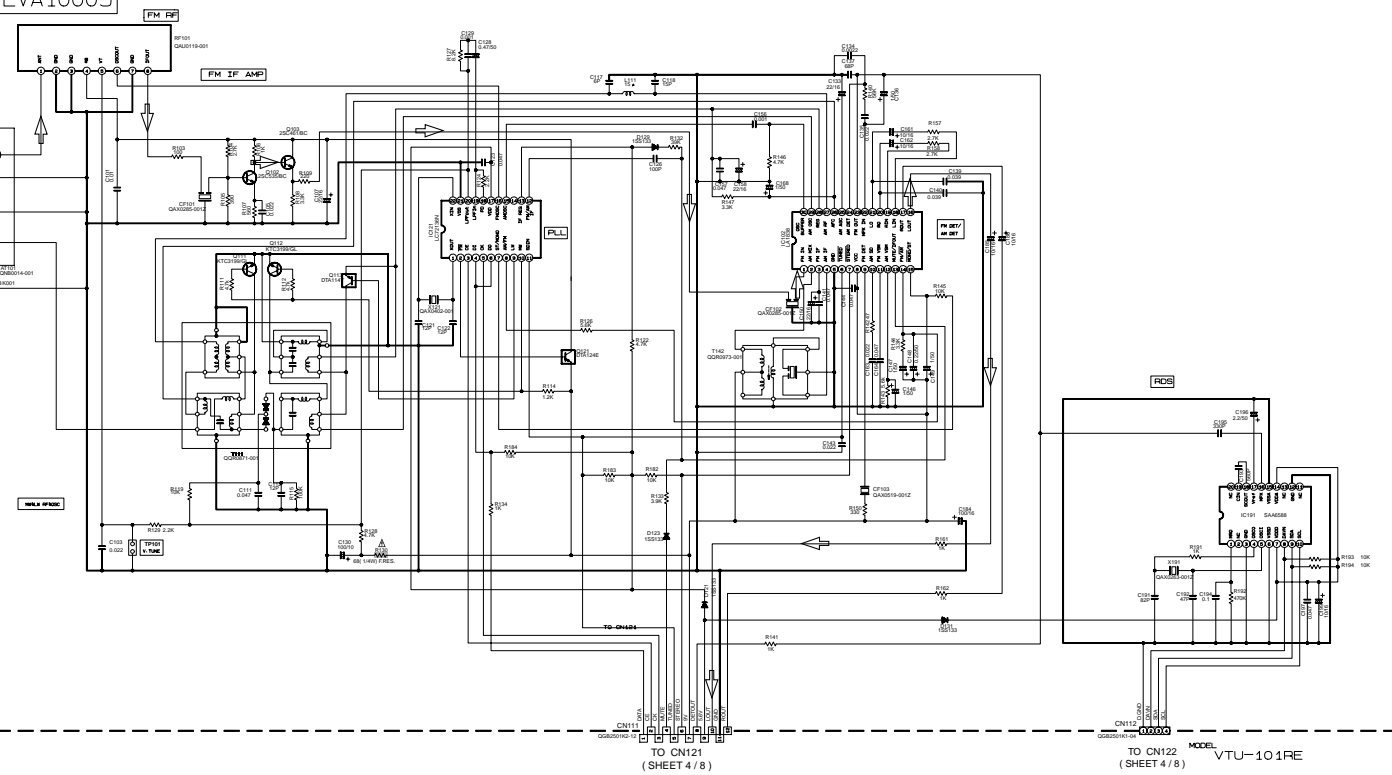
ction

A10212-1



her section

FOR E/EN/B (WITH RDS)  
LVA10009

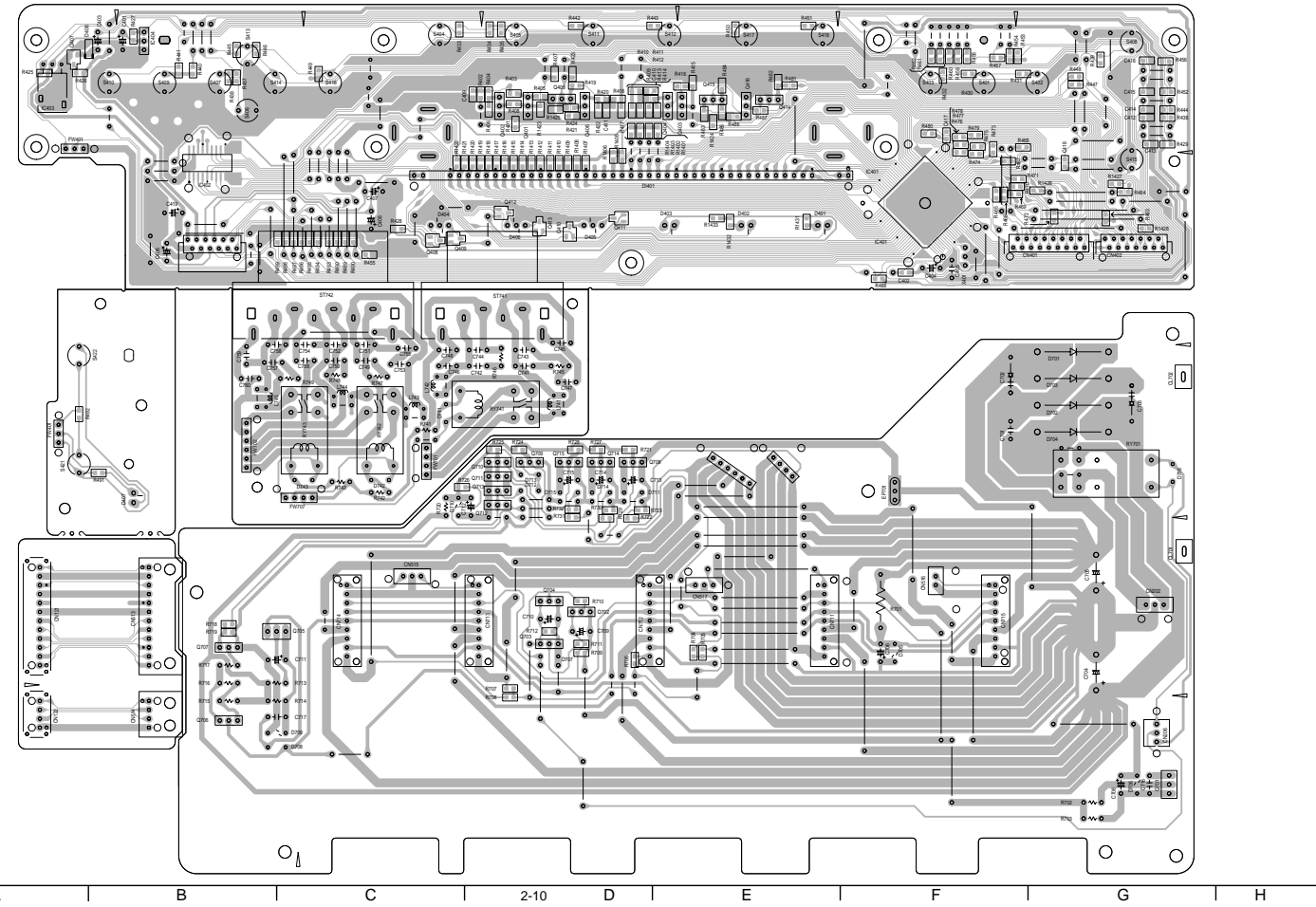


▲ Parts are safety assurance parts.  
When replacing those parts make  
sure to use the specified one.

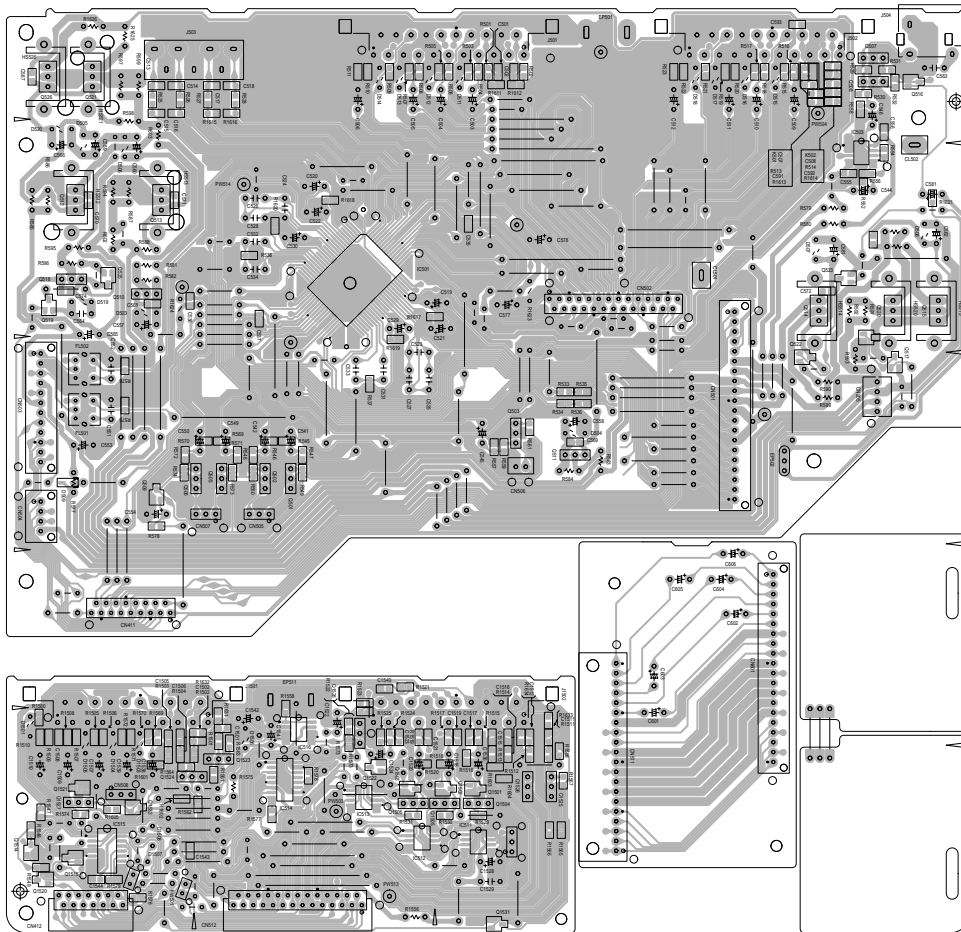
⇨ TUNER signal

RX-E100RSL/RX-E100RSB

**1 circuit boards**  
System control board



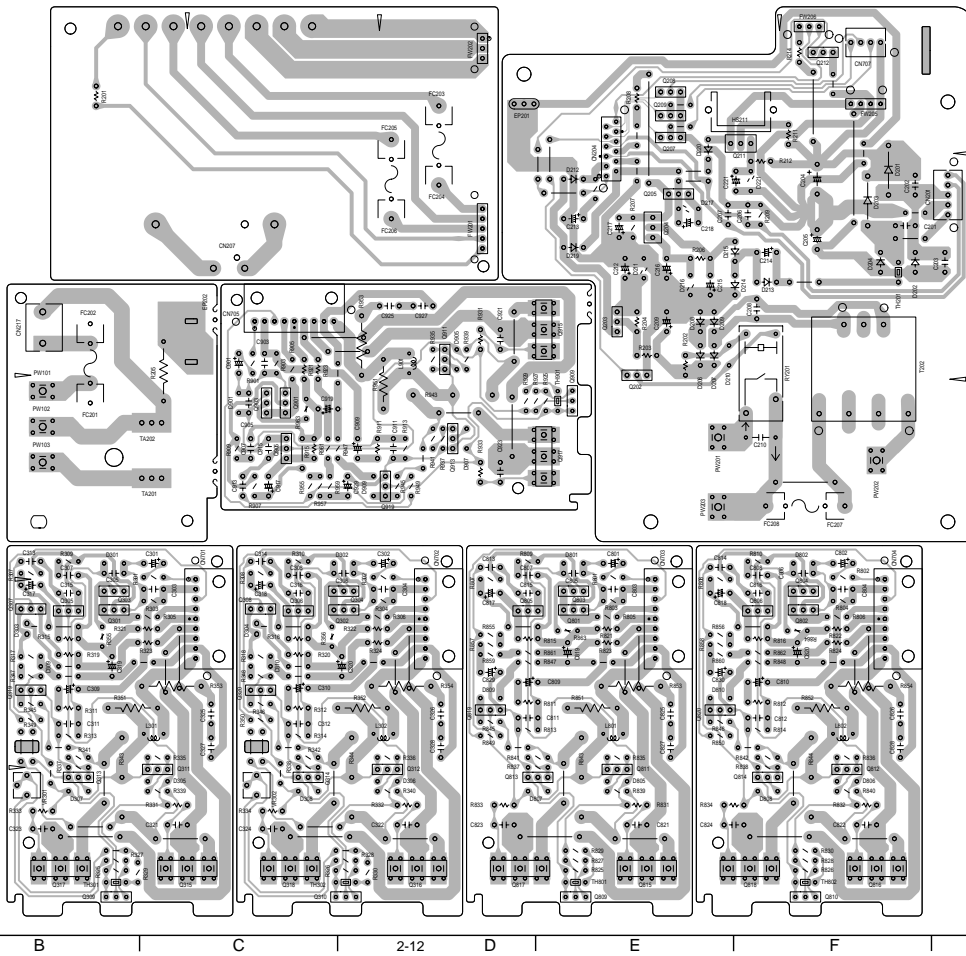
Radio signal input board



A | B | C | D | E | F | G | 2-11

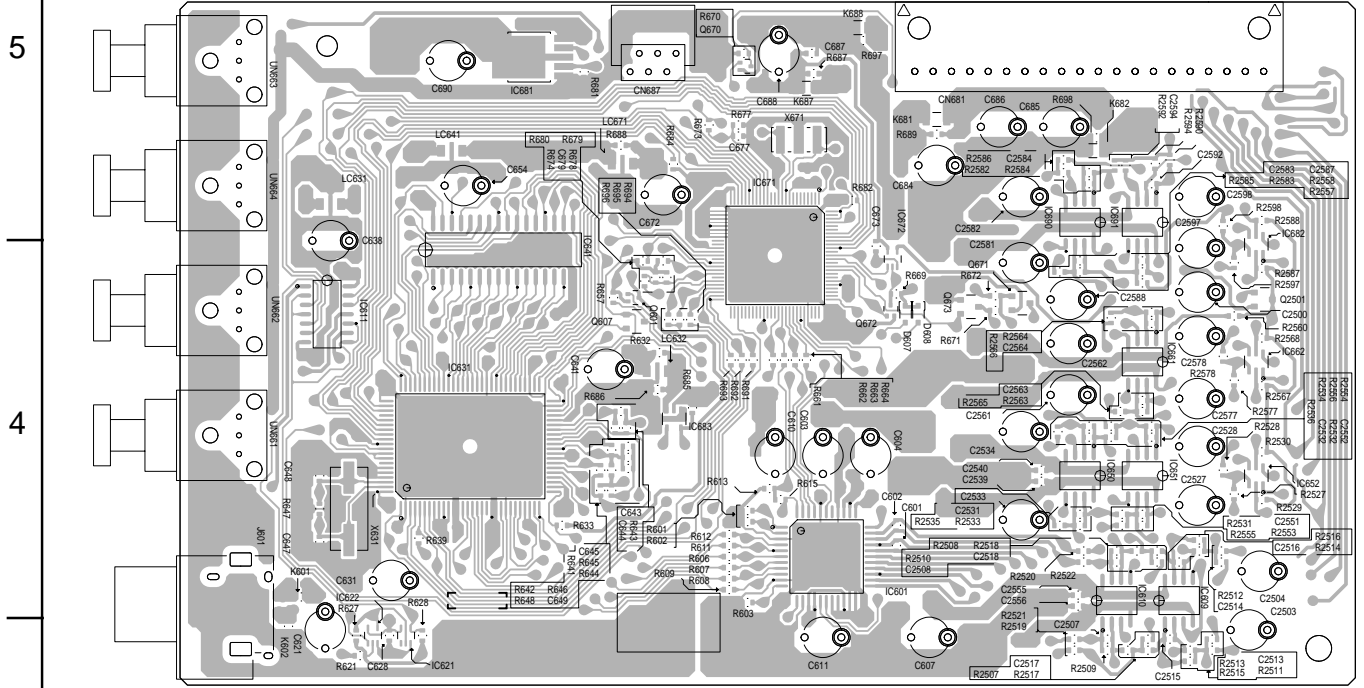
RX-E100RSL/RX-E100RSB

amp. board

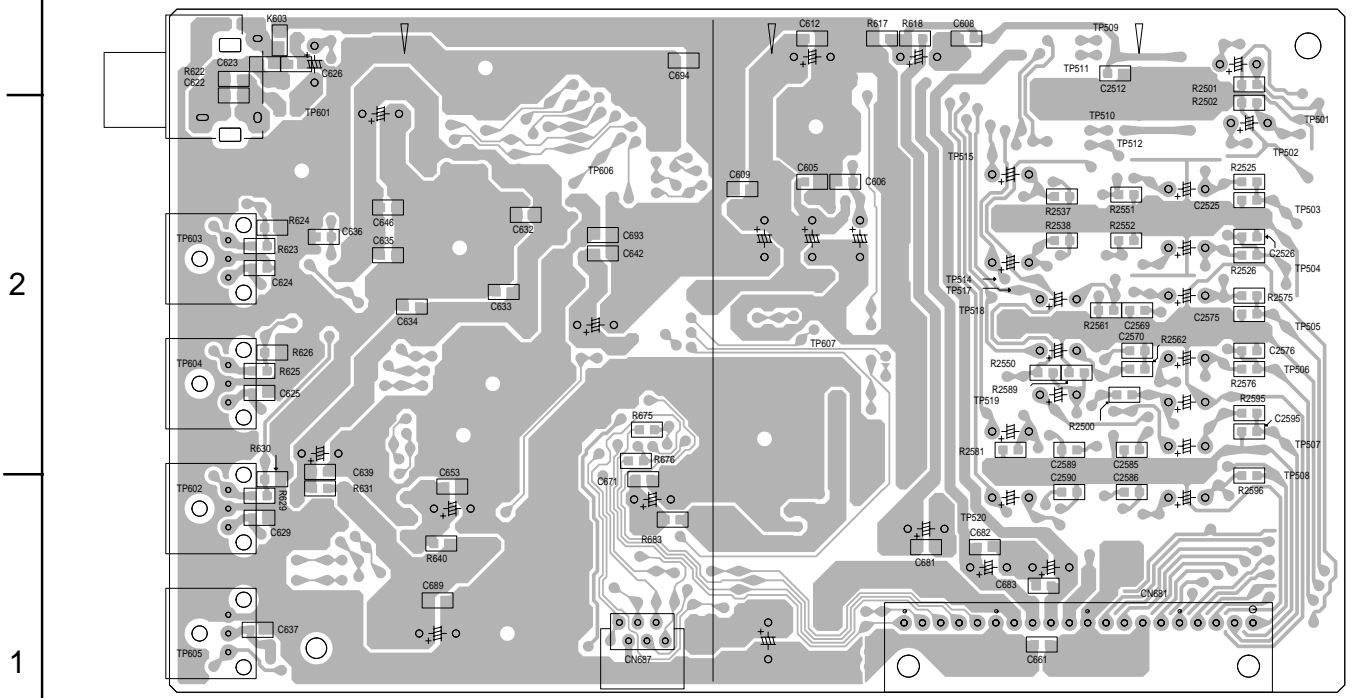


■ DSP board

Forward side



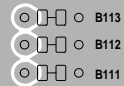
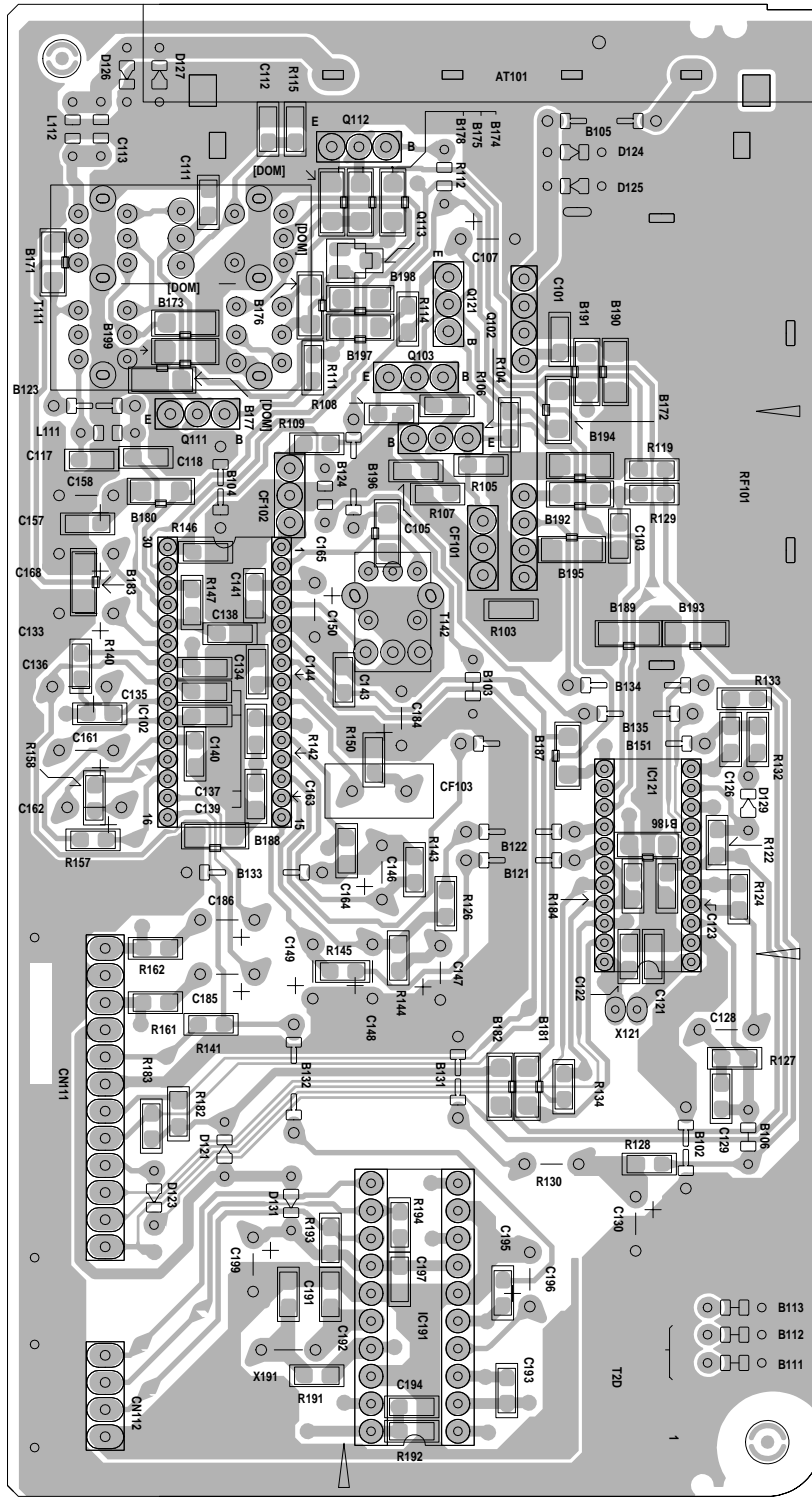
Reverse side





■ Tuner board

5  
4  
3  
2  
1



# PARTS LIST

[ RX-E100RSL ]

[ RX-E100RSB ]

\* All printed circuit boards and its assemblies are not available as service parts.

## RX-E100RSL

Area suffix

B ----- U.K.  
 E ----- Continental Europe  
 EN ----- Northern Europe

## RX-E100RSB

Area suffix

E ----- Continental Europe  
 EN ----- Northern Europe

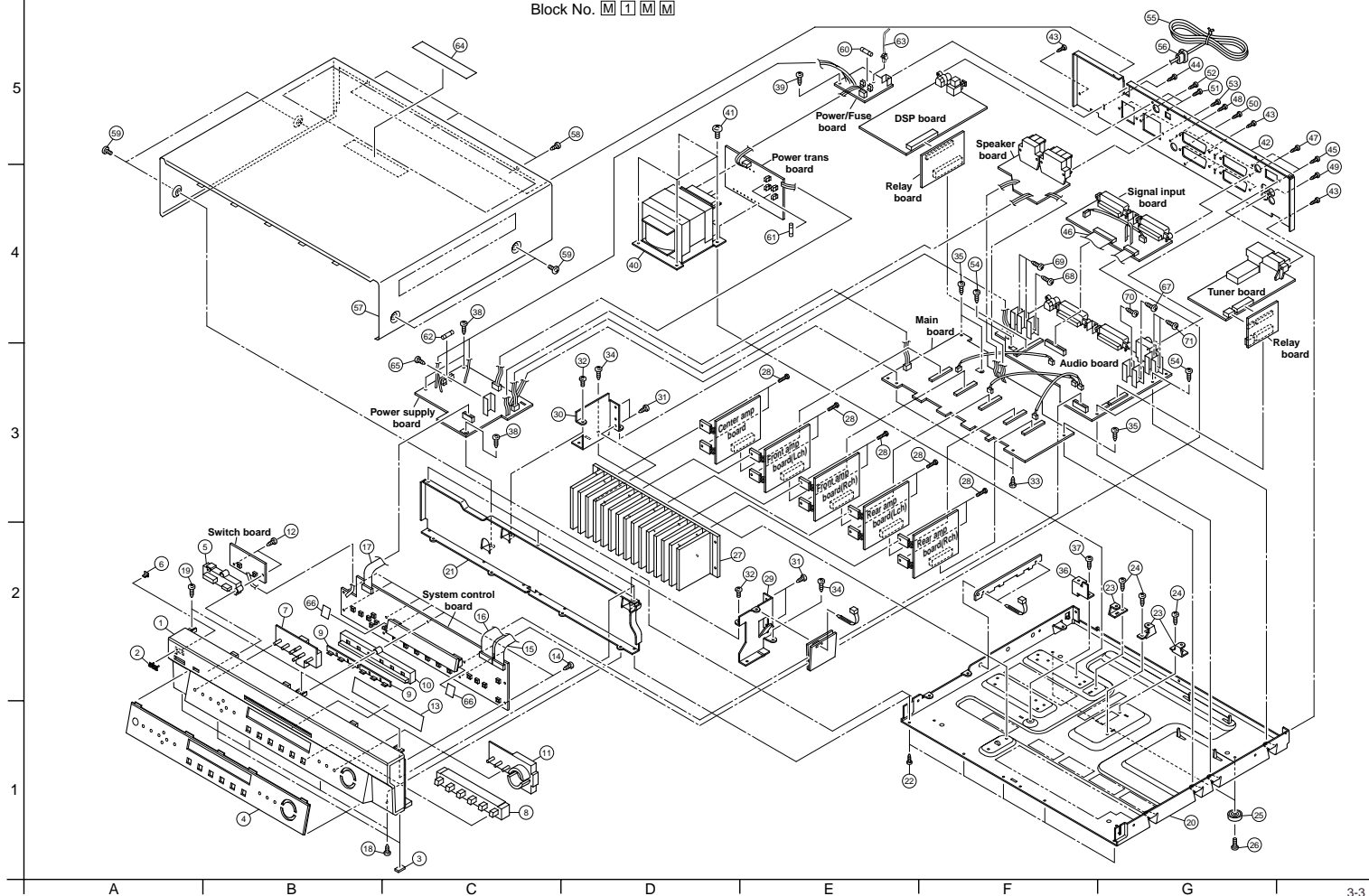
### - Contents -

Exploded view of general assembly and parts list .....	3- 3
Electrical parts list .....	3- 5
Packing materials and accessories parts list .....	3-18

< M E M O >

**Exploded view of general assembly and parts list**

Block No. **M** **T** **M** **M**



レター見開き左とじ

使用機種

RX-E100RSL/RX-E100RSB

■ Parts list (General assembly)

Block No. M1MM

Item	Parts number	Parts name	Q'ty	Description	Area
1	LV10482-001A	FRONT PANEL	1		
2	VJD5429-002SS	JVC MARK	1		
3	E75896-003	FELT SPACER	2	FOR FRONT FOOT	
4	LV20958-005A	LENS	1	RX-E100RSB	
	LV20958-001A	LENS	1	RX-E100RSL	
5	LV20991-001A	POWER BUTTON	1		
6	LV42096-001A	INDICATOR	1		
7	LV32517-001A	CONTROL BUTTON	1		
8	LV20959-001A	SOURCE BUTTON	1		
9	LV32519-001A	SOURCE INDICATO	2		
10	LV32552-003A	INDI.ESCUTCHEON	1		
11	LV20992-001A	VOLUME BUTTON	1		
12	QYSBSF2608Z	T.SCREW	2	F.C.B POWER+F.PANEL	
13	LV42195-001A	FL SCREEN	1	TO FRONT PANEL	
14	QYSBSF2608Z	T.SCREW	8	F.C.B FL+F.PANEL	
15	QUQ412-1448CJ	FFC WIRE	1		
16	QUQ412-1738CJ	FFC WIRE	1		
17	QUQ412-1213CJ	FFC WIRE	1		
18	QYSBSG3006Z	T.SCREW	4	F.PANEL+C.BASE	
19	QYSBSG3006Z	T.SCREW	3	F.PANEL+F.BKT	
20	LV10019-003A	CHASSIS BASE	1		
21	LV10483-001A	FRONT BRACKET	1		
22	QYSBSG3006Z	T.SCREW	5	C.BASE+F.BKT	
23	E68587-223SM	CB BKT	3		
24	QYSBSG3006Z	T.SCREW	3	CB BKT+C.BASE	
25	E47227-021	FOOT ASSY	2		
26	QYSBSG3006Z	T.SCREW	2	FOOT ASSY+C.BASE	
27	LV20960-001A	HEAT SINK	1		
28	E73525-003SS	SCREW	10	TR	
29	LV32433-001A	H.S BRACKET(R)	1		
30	LV32434-001A	H.S BRACKET(L)	1		
31	QYSBSG3008Z	T.SCREW	4	H.SINK BKT+H.SINK	
32	QYSBSG3006Z	T.SCREW	2	H.SINK BKT+F.BKT	
33	QYSBSG3006Z	T.SCREW	2	AMP M.C.B+H.SINK BKT	
34	QYSBSG3006Z	T.SCREW	2	H.SINK BKT+C.BASE	
35	QYSBSG3006Z	T.SCREW	3	A.M.C.B+C.B.&CB BKT	
36	LV42098-001A	C.B BKT	1		
37	QYSBSG3006Z	T.SCREW	1	C.B.BKT+C.BASE	
38	QYSBSG3006Z	T.SCREW	3	T.C.B+C.BASE&F.BKT	
39	QYSBSG3006Z	T.SCREW	1	P.CORD C.B+C.BASE	
40	QQT0327-002	POWER TRANSF	1	T201	
41	QYSDSTL4008Z	SPECIAL SCREW	4	P.TRANS	
42	LV20961-006A	REAR PANEL	1	RX-E100RSB	
	LV20961-003A	REAR PANEL	1	RX-E100RSL	
43	QYSBSGY3008M	SPECIAL SCREW	3	R.PANEL+C.BASE	
44	QYSBSGY3008M	SPECIAL SCREW	1	R.PANEL+ud---	
45	QYSBSGY3008M	SPECIAL SCREW	2	TUNER	
46	QUQ412-2706CJ	FFC WIRE	1	I.M.C.B TO SCARRTE	

■ Parts list (General assembly)

Block No. M1MM

Item	Parts number	Parts name	Q'ty	Description	Area
47	QYSBSGY3008M	SPECIAL SCREW	5	SCART 2	
48	QYSBSGY3008M	SPECIAL SCREW	1	SUB WOOFER	
49	QYSBSGY3008M	SPECIAL SCREW	1	TAPE	
50	QYSBSGY3008M	SPECIAL SCREW	5	SCART	
51	QYSBSGY3008M	SPECIAL SCREW	2	DIGITAL	
52	QYSBSGY3008M	SPECIAL SCREW	2	F.SPK TERM.+R.PANEL	
53	QYSBSGY3008M	SPECIAL SCREW	2	R.SPK TERM.+R.PANEL	
54	QYSBSG3006Z	T.SCREW	3	INPUT M.C.B+C.BASE	
55	QMPN100-200-JD	POWER CORD	1		B
56	QMPK150-200-JD	POWER CORD	1		E, EN
57	OZW0033-001	STRAIN RELIEF	1		
58	LV20962-001A/S/	TOP COVER	1		
59	QYSBSG3008M	SPECIAL SCREW	3		
60	E406308-004	SPECIAL SCREW	4	RX-E100RSL	
61	QMF51E2-1R6-J1	FUSE	1	F201	
62	QMF51E2-2R0-J1	FUSE	2	F202 F203	
63	QMF51E2-R10-J1	FUSE	1	F204	
64	E307572-001	FASTENER	1		
65	E409396-002	CAUTION LABEL	1		
66	QYSBSG3008E	T.SCREW	1		
67	LV30225-0C1A	FELT SPACER	2	FS400 FS401	
68	QYSBSG3008E	T.SCREW	1		
69	QYSBSG3008E	T.SCREW	2		
70	QYSBSG3008E	T.SCREW	1		
71	QYSBSG3008E	T.SCREW	2		

レター見開き右とじ

使用機種

## ■ Electrical parts list (Power amp board)

Block No. 01

▲	Item	Parts number	Parts name	Remarks	Area	▲	Item	Parts number	Parts name	Remarks	Area
	C 201	QFLC2AJ-104Z	M CAPACITOR	.10MF 5% 100V			C 818	QETN1CM-107Z	E CAPACITOR	100MF 20% 16V	
	C 202	QFLC2AJ-104Z	M CAPACITOR	.10MF 5% 100V			C 819	QETN2AM-106Z	E CAPACITOR	10MF 20% 100V	
	C 203	QFLC2AJ-104Z	M CAPACITOR	.10MF 5% 100V			C 820	QETN2AM-106Z	E CAPACITOR	10MF 20% 100V	
	C 204	QETM1VM-228	E CAPACITOR	2200MF 20% 35V			C 821	QCS32HJ-470Z	C CAPACITOR	47PF 5% 500V	
	C 205	QETM1VM-108	E CAPACITOR	1000MF 20% 35V			C 822	QCS32HJ-470Z	C CAPACITOR	47PF 5% 500V	
	C 206	QFLC1HJ-473Z	M CAPACITOR	.047MF 5% 50V			C 823	QCS32HJ-470Z	C CAPACITOR	47PF 5% 500V	
	C 207	QFLC1HJ-473Z	M CAPACITOR	.047MF 5% 50V			C 824	QCS32HJ-470Z	C CAPACITOR	47PF 5% 500V	
	C 208	QFLC2AJ-472Z	M CAPACITOR	4700PF 5% 100V			C 825	QFLC1HJ-473Z	M CAPACITOR	.047MF 5% 50V	
▲	C 209	QETN1EM-477Z	E CAPACITOR	470MF 20% 25V			C 826	QFLC1HJ-473Z	M CAPACITOR	.047MF 5% 50V	
	C 210	QCZ9104-472	C CAPACITOR	4700PF			C 827	QFLC1HJ-473Z	M CAPACITOR	.047MF 5% 50V	
	C 212	QETN1CM-477Z	E CAPACITOR	470MF 20% 16V			C 828	QFLC1HJ-473Z	M CAPACITOR	.047MF 5% 50V	
	C 213	QETN0JM-228Z	E CAPACITOR	2200MF 20% 6.3V			C 829	QETN1HM-476Z	E CAPACITOR	47MF 20% 50V	
	C 214	QETN1HM-227Z	E CAPACITOR	220MF 20% 50V			C 830	QETN1HM-476Z	E CAPACITOR	47MF 20% 50V	
	C 215	QETN1JM-107Z	E CAPACITOR	100MF 20% 63V			C 901	QETN1HM-225Z	E CAPACITOR	2.2MF 20% 50V	
	C 216	QETN1HM-226Z	E CAPACITOR	22MF 20% 50V			C 903	QCS31HJ-680Z	C CAPACITOR	68PF 5% 50V	
	C 217	QETN1HM-226Z	E CAPACITOR	22MF 20% 50V			C 905	QCS31HJ-221Z	C CAPACITOR	220PF 5% 50V	
	C 218	QETN1HM-105Z	E CAPACITOR	1.0MF 20% 50V			C 907	QCB31HK-152Z	C CAPACITOR	1500PF 10% 50V	
	C 221	QETN1EM-107Z	E CAPACITOR	100MF 20% 25V			C 909	QETN1CM-476Z	E CAPACITOR	47MF 20% 16V	
	C 301	QETN1HM-225Z	E CAPACITOR	2.2MF 20% 50V			C 911	QCS31HJ-100Z	C CAPACITOR	10PF 5% 50V	
	C 302	QETN1HM-225Z	E CAPACITOR	2.2MF 20% 50V			C 913	QFLC1HJ-103Z	M CAPACITOR	.010MF 5% 50V	
	C 303	QCS31HJ-680Z	C CAPACITOR	68PF 5% 50V			C 915	QCS32HJ-330Z	C CAPACITOR	33PF 5% 500V	
	C 304	QCS31HJ-680Z	C CAPACITOR	68PF 5% 50V			C 917	QETN1CM-107Z	E CAPACITOR	100MF 20% 16V	
	C 305	QCS31HJ-221Z	C CAPACITOR	220PF 5% 50V			C 919	QETN2AM-106Z	E CAPACITOR	10MF 20% 100V	
	C 306	QCS31HJ-221Z	C CAPACITOR	220PF 5% 50V			C 921	QCS32HJ-470Z	C CAPACITOR	47PF 5% 500V	
	C 307	QCB31HK-152Z	C CAPACITOR	1500PF 10% 50V			C 923	QCS32HJ-470Z	C CAPACITOR	47PF 5% 500V	
	C 308	QCB31HK-152Z	C CAPACITOR	1500PF 10% 50V			C 925	QFLC1HJ-473Z	M CAPACITOR	.047MF 5% 50V	
	C 309	QETN1CM-107Z	E CAPACITOR	100MF 20% 16V			C 927	QFLC1HJ-473Z	M CAPACITOR	.047MF 5% 50V	
	C 310	QETN1CM-107Z	E CAPACITOR	100MF 20% 16V			C 929	QETN1HM-476Z	E CAPACITOR	47MF 20% 50V	
	C 311	QCS31HJ-100Z	C CAPACITOR	10PF 5% 50V			CN201	QGD2501C1-05Z	SOCKET		
	C 312	QCS31HJ-100Z	C CAPACITOR	10PF 5% 50V			CN204	QGF1205C1-12	CONNECTOR		
	C 313	QFLC1HJ-103Z	M CAPACITOR	.010MF 5% 50V			CN207	WJK0037-001A	E-SI C WIRE C-B		
	C 314	QFLC1HJ-103Z	M CAPACITOR	.010MF 5% 50V			CN217	QGA7901C1-02	CONNECTOR		
	C 315	QCS32HJ-220Z	C CAPACITOR	22PF 5% 500V			CN701	QGB2510K1-09	CONNECTOR		
	C 316	QCS32HJ-220Z	C CAPACITOR	22PF 5% 500V			CN702	QGB2510K1-09	CONNECTOR		
	C 317	QETN1CM-107Z	E CAPACITOR	100MF 20% 16V			CN703	QGB2510K1-09	CONNECTOR		
	C 318	QETN1CM-107Z	E CAPACITOR	100MF 20% 16V			CN704	QGB2510K1-09	CONNECTOR		
	C 319	QETN1JM-107Z	E CAPACITOR	100MF 20% 63V			CN705	QGB2510K1-09	CONNECTOR		
	C 320	QETN1JM-107Z	E CAPACITOR	100MF 20% 63V			CN707	QGD2501C1-04Z	SOCKET		
	C 321	QCS32HJ-470Z	C CAPACITOR	47PF 5% 500V		▲	D 201	10E2-FD	DIODE		
	C 322	QCS32HJ-470Z	C CAPACITOR	47PF 5% 500V		▲	D 202	1SR35-400A-T5	DIODE		
	C 323	QCS32HJ-470Z	C CAPACITOR	47PF 5% 500V		▲	D 203	10E2-FD	DIODE		
	C 324	QCS32HJ-470Z	C CAPACITOR	47PF 5% 500V		▲	D 204	1SR35-400A-T5	DIODE		
	C 325	QFLC1HJ-473Z	M CAPACITOR	.047MF 5% 50V		▲	D 206	1SR35-400A-T5	DIODE		
	C 326	QFLC1HJ-473Z	M CAPACITOR	.047MF 5% 50V		▲	D 207	1SR35-400A-T5	DIODE		
	C 327	QFLC1HJ-473Z	M CAPACITOR	.047MF 5% 50V		▲	D 208	1SR35-400A-T5	DIODE		
	C 328	QFLC1HJ-473Z	M CAPACITOR	.047MF 5% 50V		▲	D 209	1SR35-400A-T5	DIODE		
	C 801	QETN1HM-225Z	E CAPACITOR	2.2MF 20% 50V			D 210	1SS133-T2	SI DIODE		
	C 802	QETN1HM-225Z	E CAPACITOR	2.2MF 20% 50V			D 211	MTZJ6.2C-T2	Z DIODE		
	C 803	QCS31HJ-680Z	C CAPACITOR	68PF 5% 50V			D 212	1SR35-400A-T5	DIODE		
	C 804	QCS31HJ-680Z	C CAPACITOR	68PF 5% 50V		▲	D 213	1SR35-400A-T5	DIODE		
	C 805	QCS31HJ-221Z	C CAPACITOR	220PF 5% 50V		▲	D 214	1SR35-400A-T5	DIODE		
	C 806	QCS31HJ-221Z	C CAPACITOR	220PF 5% 50V		▲	D 215	1SR35-400A-T5	DIODE		
	C 807	QCB31HK-152Z	C CAPACITOR	1500PF 10% 50V			D 216	MTZJ27C-T2	Z DIODE		
	C 808	QCB31HK-152Z	C CAPACITOR	1500PF 10% 50V			D 217	MTZJ6.2C-T2	Z DIODE		
	C 809	QETN1CM-476Z	E CAPACITOR	47MF 20% 16V			D 219	1SR35-400A-T5	DIODE		
	C 810	QETN1CM-476Z	E CAPACITOR	47MF 20% 16V			D 220	1SR35-400A-T5	DIODE		
	C 811	QCS31HJ-100Z	C CAPACITOR	10PF 5% 50V			D 221	MTZJ6.2C-T2	Z DIODE		
	C 812	QCS31HJ-100Z	C CAPACITOR	10PF 5% 50V			D 301	1SS133-T2	SI DIODE		
	C 813	QFLC1HJ-103Z	M CAPACITOR	.010MF 5% 50V			D 302	1SS133-T2	SI DIODE		
	C 814	QFLC1HJ-103Z	M CAPACITOR	.010MF 5% 50V			D 303	SLR-342MC-T	LED		
	C 815	QCS32HJ-330Z	C CAPACITOR	33PF 5% 500V			D 304	SLR-342MC-T	LED		
	C 816	QCS32HJ-330Z	C CAPACITOR	33PF 5% 500V			D 305	1SS133-T2	SI DIODE		
	C 817	QETN1CM-107Z	E CAPACITOR	100MF 20% 16V			D 306	1SS133-T2	SI DIODE		

■ Electrical parts list (Power amp board)

Block No. 01

△	Item	Parts number	Parts name	Remarks	Area	△	Item	Parts number	Parts name	Remarks	Area
	D 307	1SS133-T2	SI DIODE				Q 319	KTA1268/GL-T	TRANSISTOR		
	D 308	1SS133-T2	SI DIODE				Q 320	KTA1268/GL-T	TRANSISTOR		
	D 309	1SS133-T2	SI DIODE				Q 801	2SC2240/L-T	TRANSISTOR		
	D 310	1SS133-T2	SI DIODE				Q 802	2SC2240/L-T	TRANSISTOR		
	D 801	1SS133-T2	SI DIODE				Q 803	2SC2240/L-T	TRANSISTOR		
	D 802	1SS133-T2	SI DIODE				Q 804	2SC2240/L-T	TRANSISTOR		
	D 805	1SS133-T2	SI DIODE				Q 805	KTA1268/GL-T	TRANSISTOR		
	D 806	1SS133-T2	SI DIODE				Q 806	KTA1268/GL-T	TRANSISTOR		
	D 807	1SS133-T2	SI DIODE				Q 809	2SD637/QR/	TRANSISTOR		
	D 808	1SS133-T2	SI DIODE				Q 810	2SD637/QR/	TRANSISTOR		
	D 809	1SS133-T2	SI DIODE				Q 811	KTC3200/GL-T	TRANSISTOR		
	D 810	1SS133-T2	SI DIODE				Q 812	KTC3200/GL-T	TRANSISTOR		
	D 901	1SS133-T2	SI DIODE				Q 813	KTA1268/GL-T	TRANSISTOR		
	D 905	1SS133-T2	SI DIODE				Q 814	KTA1268/GL-T	TRANSISTOR		
	D 907	1SS133-T2	SI DIODE				△ Q 815	2SD2389/OPY/-F6	TRANSISTOR		
	D 909	1SS133-T2	SI DIODE				△ Q 816	2SD2389/OPY/-F6	TRANSISTOR		
	EP201	QNZ0136-001Z	EARTH PLATE				△ Q 817	2SB1559/OPY/-F6	TRANSISTOR		
	EP202	E409182-001SM	GRAND TERMINAL				△ Q 818	2SB1559/OPY/-F6	TRANSISTOR		
	FC201	QNG0020-001Z	FUSE CLIP	(F201)			Q 819	KTA1268/GL-T	TRANSISTOR		
	FC202	QNG0020-001Z	FUSE CLIP	(F201)			Q 820	KTA1268/GL-T	TRANSISTOR		
	FC203	QNG0020-001Z	FUSE CLIP	(F202)			Q 901	2SC2240/L-T	TRANSISTOR		
	FC204	QNG0020-001Z	FUSE CLIP	(F202)			Q 903	2SC2240/L-T	TRANSISTOR		
	FC205	QNG0020-001Z	FUSE CLIP	(F203)			Q 905	KTA1268/GL-T	TRANSISTOR		
	FC206	QNG0020-001Z	FUSE CLIP	(F203)			Q 909	2SD637/QR/	TRANSISTOR		
	FC207	QNG0020-001Z	FUSE CLIP	(F204)			Q 911	KTC3200/GL-T	TRANSISTOR		
	FC208	QNG0020-001Z	FUSE CLIP	(F204)			Q 913	KTA1268/GL-T	TRANSISTOR		
	FW201	QUM135-22DGZ4	PARA RIBON WIRE				△ Q 915	2SD2389/OPY/-F6	TRANSISTOR		
	FW202	QJK017-031301	SIN CR C-B WIR				△ Q 917	2SB1559/OPY/-F6	TRANSISTOR		
	FW205	QUM134-22DGZ4	PARA RIBON WIRE				Q 919	KTA1268/GL-T	TRANSISTOR		
	FW206	QUM133-08DGZ4	PARA RIBON WIRE				△ R 201	QRJ146J-5R6X	UNF C RESISTOR	5.6 5% 1/4W	
	HS211	E70306-001	HEAT SINK				△ R 202	QRJ146J-100X	UNF C RESISTOR	10 5% 1/4W	
	L 301	QQLZ005-R45	INDUCTOR				△ R 203	QRJ146J-100X	UNF C RESISTOR	10 5% 1/4W	
	L 302	QQLZ005-R45	INDUCTOR				△ R 204	QRJ146J-821X	UNF C RESISTOR	820 5% 1/4W	
	L 801	QQLZ005-R45	INDUCTOR				△ R 206	QRJ146J-332X	UNF C RESISTOR	3.3K 5% 1/4W	
	L 802	QQLZ005-R45	INDUCTOR				R 207	QRE141J-223Y	C RESISTOR	22K 5% 1/4W	
	L 901	QQLZ005-R45	INDUCTOR				△ R 208	QRJ146J-100X	UNF C RESISTOR	10 5% 1/4W	
	Q 202	KRC105M-T	D TRANSISTOR				R 209	QRE141J-104Y	C RESISTOR	100K 5% 1/4W	
	Q 203	KTC3203/OY-T	TRANSISTOR				△ R 211	QRZ9005-120X	F RESISTOR	12 1/0W	
	Q 204	KTA1046/Y/	TRANSISTOR				△ R 212	QRJ146J-682X	UNF C RESISTOR	6.8K 5% 1/4W	
	Q 205	KTC3200/GL-T	TRANSISTOR				R 213	QRE141J-331Y	C RESISTOR	330 5% 1/4W	
	Q 207	KRC105M-T	D TRANSISTOR				△ R 214	QRJ146J-120X	UNF C RESISTOR	12 5% 1/4W	
	Q 208	KRC105M-T	D TRANSISTOR				R 301	QRE141J-222Y	C RESISTOR	2.2K 5% 1/4W	
	Q 209	KRC105M-T	D TRANSISTOR				R 302	QRE141J-222Y	C RESISTOR	2.2K 5% 1/4W	
	△ Q 211	2SD2395/EF/	TRANSISTOR				R 303	QRE141J-683Y	C RESISTOR	68K 5% 1/4W	
	Q 212	KRC105M-T	D TRANSISTOR				R 304	QRE141J-683Y	C RESISTOR	68K 5% 1/4W	
	Q 301	2SC2240/L-T	TRANSISTOR				R 305	QRE141J-123Y	C RESISTOR	12K 5% 1/4W	
	Q 302	2SC2240/L-T	TRANSISTOR				R 306	QRE141J-123Y	C RESISTOR	12K 5% 1/4W	
	Q 303	2SC2240/L-T	TRANSISTOR				R 307	QRE141J-202Y	C RESISTOR	2.0K 5% 1/4W	
	Q 304	2SC2240/L-T	TRANSISTOR				R 308	QRE141J-202Y	C RESISTOR	2.0K 5% 1/4W	
	Q 305	KTA1268/GL-T	TRANSISTOR				R 309	QRE141J-101Y	C RESISTOR	100 5% 1/4W	
	Q 306	KTA1268/GL-T	TRANSISTOR				R 310	QRE141J-101Y	C RESISTOR	100 5% 1/4W	
	Q 307	KTC3200/GL-T	TRANSISTOR				△ R 311	QRJ146J-391X	UNF C RESISTOR	390 5% 1/4W	
	Q 308	KTC3200/GL-T	TRANSISTOR				△ R 312	QRJ146J-391X	UNF C RESISTOR	390 5% 1/4W	
	Q 309	2SD637/QR/	TRANSISTOR				R 313	QRE141J-563Y	C RESISTOR	56K 5% 1/4W	
	Q 310	2SD637/QR/	TRANSISTOR				R 314	QRE141J-563Y	C RESISTOR	56K 5% 1/4W	
	Q 311	KTC3200/GL-T	TRANSISTOR				△ R 315	QRJ146J-121X	UNF C RESISTOR	120 5% 1/4W	
	Q 312	KTC3200/GL-T	TRANSISTOR				△ R 316	QRJ146J-121X	UNF C RESISTOR	120 5% 1/4W	
	Q 313	KTA1268/GL-T	TRANSISTOR				R 317	QRE141J-473Y	C RESISTOR	47K 5% 1/4W	
	Q 314	KTA1268/GL-T	TRANSISTOR				R 318	QRE141J-473Y	C RESISTOR	47K 5% 1/4W	
	△ Q 315	2SD2389/OPY/-F6	TRANSISTOR				△ R 319	QRJ146J-471X	UNF C RESISTOR	470 5% 1/4W	
	△ Q 316	2SD2389/OPY/-F6	TRANSISTOR				△ R 320	QRJ146J-471X	UNF C RESISTOR	470 5% 1/4W	
	△ Q 317	2SB1559/OPY/-F6	TRANSISTOR				△ R 321	QRJ146J-100X	UNF C RESISTOR	10 5% 1/4W	
	△ Q 318	2SB1559/OPY/-F6	TRANSISTOR				△ R 322	QRJ146J-100X	UNF C RESISTOR	10 5% 1/4W	





## ■ Electrical parts list (Main &amp; System control board) Block No. 02

△	Item	Parts number	Parts name	Remarks	Area	△	Item	Parts number	Parts name	Remarks	Area
	BK401	LV32554-001A	FL HOLDER(L)				CN513	QGB2510K1-12	CONNECTOR		
	BK402	LV32555-001A	FL HOLDER(R)				CN514	QGB2510K1-04	CONNECTOR		
	C 401	QETN0JM-107Z	E CAPACITOR	100MF 20% 6.3V			CN515	QGA2501C1-03	3P CONNECTOR		
	C 402	NCB31CK-223X	C CAPACITOR				CN516	QGA2501C1-02	2P CONNECTOR		
	C 403	QETN1HM-225Z	E CAPACITOR	2.2MF 20% 50V			CN517	QGA2501C1-03	3P CONNECTOR		
	C 404	QETN0JM-107Z	E CAPACITOR	100MF 20% 6.3V			CN711	QGB2510J1-09	CONNECTOR		
	C 405	QCZ0205-155Z	ML C CAPACITOR	1.5MF			CN712	QGB2510J1-09	CONNECTOR		
	C 406	QETN1HM-475Z	E CAPACITOR	4.7MF 20% 50V			CN713	QGB2510J1-09	CONNECTOR		
	C 407	QEKC1HM-475Z	E CAPACITOR	4.7MF 20% 50V			CN714	QGB2510J1-09	CONNECTOR		
	C 408	QEKC1HM-475Z	E CAPACITOR	4.7MF 20% 50V			CN715	QGB2510J1-09	CONNECTOR		
	C 409	NCB31HK-102X	C CAPACITOR				D 401	SLR-342MC-T	LED		
	C 410	NCB31HK-102X	C CAPACITOR				D 402	SLR-342MC-T	LED		
	C 411	NCB31HK-102X	C CAPACITOR				D 403	SLR-342MC-T	LED		
	C 412	NCB31HK-103X	C CAPACITOR				D 404	SPR-325MVW/L/-T	LED		
	C 413	NCB31HK-103X	C CAPACITOR				D 405	SPR-325MVW/L/-T	LED		
	C 414	NCB31HK-103X	C CAPACITOR				D 406	SPR-325MVW/L/-T	LED		
	C 415	NCB31HK-103X	C CAPACITOR				D 407	SLR-342VC-T	LED		
	C 416	NCB31HK-103X	C CAPACITOR				D 408	1SS355-X	DIODE		
	C 417	NCB31HK-561X	C CAPACITOR			△	D 701	30DF2-FC	DIODE		
	C 418	NCB31CK-223X	C CAPACITOR			△	D 702	30DF2-FC	DIODE		
	C 701	QFZ9076-104Z	MM CAPACITOR	.10MF		△	D 703	30DF2-FC	DIODE		
	C 702	QFZ9076-104Z	MM CAPACITOR	.10MF		△	D 704	30DF2-FC	DIODE		
	C 703	QFZ9076-104Z	MM CAPACITOR	.10MF		△	D 705	MTZJ18C-T2	Z DIODE		
	C 704	QTE1J45-478	E CAPACITER				D 707	1SS133-T2	SI DIODE		
	C 705	QTE1J45-478	E CAPACITER				D 708	1SS133-T2	SI DIODE		
	C 706	QETN1EM-476Z	E CAPACITOR	47MF 20% 25V			D 709	MTZJ15C-T2	Z DIODE		
	C 709	QETN1HM-106Z	E CAPACITOR	10MF 20% 50V			D 710	MTZJ5.1C-T2	Z DIODE		
	C 710	QETN1CM-476Z	E CAPACITOR	47MF 20% 16V			D 711	1SS133-T2	SI DIODE		
	C 711	QEKC1HM-226Z	E CAPACITOR	22MF 20% 50V			D 712	1SS133-T2	SI DIODE		
	C 712	QETN1HM-475Z	E CAPACITOR	4.7MF 20% 50V			D 713	1SS133-T2	SI DIODE		
	C 713	QETN1HM-475Z	E CAPACITOR	4.7MF 20% 50V			D 714	1SS133-T2	SI DIODE		
	C 714	QETN1HM-475Z	E CAPACITOR	4.7MF 20% 50V			D 715	1SS133-T2	SI DIODE		
	C 715	QETN1HM-475Z	E CAPACITOR	4.7MF 20% 50V			D 716	1SS133-T2	SI DIODE		
	C 717	QCS31HJ-101Z	C CAPACITOR	100PF 5% 50V			D 741	1SS133-T2	SI DIODE		
	C 741	QFLC1HJ-223Z	M CAPACITOR	.022MF 5% 50V			D 742	1SS133-T2	SI DIODE		
	C 742	QFLC1HJ-223Z	M CAPACITOR	.022MF 5% 50V			D 743	1SS133-T2	SI DIODE		
	C 743	QCS31HJ-221Z	C CAPACITOR	220PF 5% 50V			DI401	QLF0086-001	FL TUBE		
	C 744	QCS31HJ-221Z	C CAPACITOR	220PF 5% 50V			EP701	QNZ0136-001Z	EARTH PLATE		
	C 745	QCS31HJ-221Z	C CAPACITOR	220PF 5% 50V			FW401	QUM133-20Z4Z4	PARA RIBON WIRE		
	C 746	QCS31HJ-221Z	C CAPACITOR	220PF 5% 50V			FW701	QUM134-27Z4Z4	PARA RIBON WIRE		
	C 747	QCF31HZ-223Z	C CAPACITOR	.022MF +80:-20%			FW702	QUM136-24Z4Z4	PARA RIBON WIRE		
	C 748	QCF31HZ-223Z	C CAPACITOR	.022MF +80:-20%			FW707	QUM134-22DGZ4	PARA RIBON WIRE		
	C 749	QFLC1HJ-223Z	M CAPACITOR	.022MF 5% 50V			IC401	MN101C35DHR	IC		
	C 750	QFLC1HJ-223Z	M CAPACITOR	.022MF 5% 50V			IC402	BU2092F-X	IC		
	C 751	QCS31HJ-221Z	C CAPACITOR	220PF 5% 50V			IC403	GP1U281X	IC		
	C 752	QCS31HJ-221Z	C CAPACITOR	220PF 5% 50V			IC404	IC-PST9139-T	IC		
	C 753	QCS31HJ-221Z	C CAPACITOR	220PF 5% 50V			L 741	QQLZ005-R45	INDUCTOR		
	C 754	QCS31HJ-221Z	C CAPACITOR	220PF 5% 50V			L 742	QQLZ005-R45	INDUCTOR		
	C 755	QCS31HJ-221Z	C CAPACITOR	220PF 5% 50V			L 743	QQLZ005-R45	INDUCTOR		
	C 756	QCS31HJ-221Z	C CAPACITOR	220PF 5% 50V			L 744	QQLZ005-R45	INDUCTOR		
	C 757	QFLC1HJ-473Z	M CAPACITOR	.047MF 5% 50V			L 745	QQLZ005-R45	INDUCTOR		
	C 758	QCS31HJ-221Z	C CAPACITOR	220PF 5% 50V			Q 401	KTC3199/GL/-T	TRANSISTOR		
	C 759	QCS31HJ-221Z	C CAPACITOR	220PF 5% 50V			Q 402	KTC3199/GL/-T	TRANSISTOR		
	C 760	QCS31HJ-221Z	C CAPACITOR	220PF 5% 50V			Q 403	KTC3199/GL/-T	TRANSISTOR		
	CL701	QZW0038-001	WIRE CLAMP				Q 404	KTC3199/GL/-T	TRANSISTOR		
	CL702	QZW0038-001	WIRE CLAMP				Q 405	KTC3199/GL/-T	TRANSISTOR		
	CN121	QGB2501J1-12	CONNECTOR				Q 406	KTC3199/GL/-T	TRANSISTOR		
	CN122	QGB2501J1-04	CONNECTOR				Q 407	DTC114EKA-X	TRANSISTOR		
	CN202	QGA2501C1-03	3P CONNECTOR				Q 408	DTA114EKA-X	D TRANSISTOR		
	CN206	QGD2501C1-03Z	SOCKET				Q 409	DTA114EKA-X	D TRANSISTOR		
	CN214	QGF1205F1-12	CONNECTOR				Q 410	DTA114EKA-X	D TRANSISTOR		
	CN401	QGF1205F1-17	CONNECTOR				Q 411	DTA114EKA-X	D TRANSISTOR		
	CN402	QGF1205F1-14	CONNECTOR				Q 412	DTA114EKA-X	D TRANSISTOR		

**■ Electrical parts list (Main & System control board) Block No. 02**

△	Item	Parts number	Parts name	Remarks	Area	△	Item	Parts number	Parts name	Remarks	Area
	Q 413	DTA114EKA-X	D TRANSISTOR				R 448	NRSA63J-152X	MG RESISTOR		
	Q 702	KTC3200/GL/-T	TRANSISTOR				R 449	NRSA63J-222X	MG RESISTOR		
	Q 703	KTA1268/GL/-T	TRANSISTOR				R 450	NRSA63J-272X	MG RESISTOR		
	Q 704	KTC3199/GL/-T	TRANSISTOR				R 451	NRSA63J-392X	MG RESISTOR		
	Q 705	2SD2395/EF/	TRANSISTOR				R 452	NRSA63J-103X	MG RESISTOR		
	Q 706	KTA1023/OY/-T	TRANSISTOR				R 453	NRSA63J-102X	MG RESISTOR		
	Q 707	KTC3200/GL/-T	TRANSISTOR				R 454	NRSA63J-102X	MG RESISTOR		
	Q 708	KRC109M-T	D TRANSISTOR				R 455	NRSA63J-103X	MG RESISTOR		
	Q 709	KRC109M-T	D TRANSISTOR				R 456	NRSA63J-103X	MG RESISTOR		
	Q 710	KRC109M-T	D TRANSISTOR				R 464	NRSA63J-221X	MG RESISTOR		
	Q 711	KRC109M-T	D TRANSISTOR				R 465	NRSA63J-221X	MG RESISTOR		
	Q 712	KRC109M-T	D TRANSISTOR				R 466	NRSA63J-221X	MG RESISTOR		
	Q 713	KRC109M-T	D TRANSISTOR				R 467	NRSA63J-221X	MG RESISTOR		
	Q 714	KRC109M-T	D TRANSISTOR				R 468	NRSA63J-221X	MG RESISTOR		
	Q 715	KRC109M-T	D TRANSISTOR				R 469	NRSA63J-221X	MG RESISTOR		
	R 400	NRSA63J-103X	MG RESISTOR				R 470	NRSA63J-221X	MG RESISTOR		
	R 401	NRSA63J-223X	MG RESISTOR				R 471	NRSA63J-221X	MG RESISTOR		
	R 402	NRSA63J-473X	MG RESISTOR				R 472	NRSA63J-221X	MG RESISTOR		
	R 403	NRSA63J-683X	MG RESISTOR				R 473	NRSA63J-221X	MG RESISTOR		
	R 404	NRSA63J-473X	MG RESISTOR				R 474	NRSA63J-221X	MG RESISTOR		
	R 405	NRSA63J-153X	MG RESISTOR				R 475	NRSA63J-221X	MG RESISTOR		
	R 406	NRSA63J-273X	MG RESISTOR				R 476	NRSA63J-221X	MG RESISTOR		
	R 407	NRSA63J-103X	MG RESISTOR				R 477	NRSA63J-221X	MG RESISTOR		
	R 408	NRSA63J-103X	MG RESISTOR				R 478	NRSA63J-221X	MG RESISTOR		
	R 409	NRSA63J-473X	MG RESISTOR				R 479	NRSA63J-221X	MG RESISTOR		
	R 410	NRSA63J-473X	MG RESISTOR				R 480	NRSA63J-221X	MG RESISTOR		
	R 411	NRSA63J-683X	MG RESISTOR				R 488	NRSA63J-103X	MG RESISTOR		
	R 412	NRSA63J-473X	MG RESISTOR				R 489	NRSA63J-103X	MG RESISTOR		
	R 413	NRSA63J-153X	MG RESISTOR				R 490	NRSA63J-103X	MG RESISTOR		
	R 414	NRSA63J-273X	MG RESISTOR				R 491	NRSA63J-221X	MG RESISTOR		
	R 415	NRSA63J-103X	MG RESISTOR				R 492	NRSA63J-392X	MG RESISTOR		
	R 416	NRSA63J-103X	MG RESISTOR				R 493	NRSA63J-103X	MG RESISTOR		
	R 417	NRSA63J-223X	MG RESISTOR				R 494	NRSA63J-103X	MG RESISTOR		
	R 418	NRSA63J-473X	MG RESISTOR				R 495	NRSA63J-103X	MG RESISTOR		
	R 419	NRSA63J-683X	MG RESISTOR				R 496	NRSA63J-103X	MG RESISTOR		
	R 420	NRSA63J-473X	MG RESISTOR				R 497	NRSA63J-103X	MG RESISTOR		
	R 421	NRSA63J-153X	MG RESISTOR				R 498	NRSA63J-103X	MG RESISTOR		
	R 422	NRSA63J-273X	MG RESISTOR				R 499	NRSA63J-103X	MG RESISTOR		
	R 423	NRSA63J-103X	MG RESISTOR			△	R 701	QRL022J-562	UNF OMF RESISTOR	5.6K 5% 1/2W	
	R 424	NRSA63J-103X	MG RESISTOR				R 704	NRSA63J-104X	MG RESISTOR		
	R 425	NRSA63J-103X	MG RESISTOR				R 705	NRSA63J-104X	MG RESISTOR		
	R 426	NRSA63J-223X	MG RESISTOR				R 706	NRSA63J-823X	MG RESISTOR		
	R 427	NRSA63J-472X	MG RESISTOR				R 707	NRSA63J-104X	MG RESISTOR		
	R 428	NRSA63J-221X	MG RESISTOR				R 708	NRSA63J-823X	MG RESISTOR		
	R 429	NRSA63J-103X	MG RESISTOR				R 709	NRSA63J-103X	MG RESISTOR		
	R 430	NRSA63J-102X	MG RESISTOR				R 710	NRSA63J-103X	MG RESISTOR		
	R 431	NRSA63J-102X	MG RESISTOR				R 711	NRSA63J-104X	MG RESISTOR		
	R 432	NRSA63J-122X	MG RESISTOR				R 712	NRSA63J-104X	MG RESISTOR		
	R 433	NRSA63J-152X	MG RESISTOR			△	R 713	QRZ9005-100X	F RESISTOR	10 1/0W	
	R 434	NRSA63J-222X	MG RESISTOR			△	R 714	QRJ146J-103X	UNF C RESISTOR	10K 5% 1/4W	
	R 435	NRSA63J-272X	MG RESISTOR			△	R 715	QRZ9005-100X	F RESISTOR	10 1/0W	
	R 436	NRSA63J-103X	MG RESISTOR			△	R 716	QRJ146J-102X	UNF C RESISTOR	1.0K 5% 1/4W	
	R 437	NRSA63J-102X	MG RESISTOR			△	R 717	QRJ146J-223X	UNF C RESISTOR	22K 5% 1/4W	
	R 438	NRSA63J-102X	MG RESISTOR				R 718	NRSA63J-103X	MG RESISTOR		
	R 439	NRSA63J-122X	MG RESISTOR				R 719	NRSA63J-473X	MG RESISTOR		
	R 440	NRSA63J-152X	MG RESISTOR			△	R 720	QRJ146J-392X	UNF C RESISTOR	3.9K 5% 1/4W	
	R 441	NRSA63J-222X	MG RESISTOR				R 721	NRSA63J-472X	MG RESISTOR		
	R 442	NRSA63J-272X	MG RESISTOR				R 722	NRSA63J-223X	MG RESISTOR		
	R 443	NRSA63J-392X	MG RESISTOR				R 723	NRSA63J-153X	MG RESISTOR		
	R 444	NRSA63J-103X	MG RESISTOR				R 724	NRSA63J-472X	MG RESISTOR		
	R 445	NRSA63J-102X	MG RESISTOR				R 725	NRSA63J-472X	MG RESISTOR		
	R 446	NRSA63J-102X	MG RESISTOR				R 726	NRSA63J-472X	MG RESISTOR		
	R 447	NRSA63J-122X	MG RESISTOR				R 727	NRSA63J-472X	MG RESISTOR		

**■ Electrical parts list (Main & System control board) Block No. 02**

△	Item	Parts number	Parts name	Remarks	Area
	R 728	NRSA63J-472X	MG RESISTOR		
	R 729	NRSA63J-223X	MG RESISTOR		
	R 730	NRSA63J-153X	MG RESISTOR		
	R 731	NRSA63J-223X	MG RESISTOR		
	R 732	NRSA63J-153X	MG RESISTOR		
△	R 741	QRJ146J-120X	UNF C RESISTOR	12 5% 1/4W	
△	R 742	QRJ146J-120X	UNF C RESISTOR	12 5% 1/4W	
△	R 743	QRJ146J-120X	UNF C RESISTOR	12 5% 1/4W	
△	R 745	QRJ146J-3R9X	UNF C RESISTOR	3.9 5% 1/4W	
△	R 746	QRJ146J-3R9X	UNF C RESISTOR	3.9 5% 1/4W	
△	R 747	QRJ146J-3R9X	UNF C RESISTOR	3.9 5% 1/4W	
△	R 748	QRJ146J-3R9X	UNF C RESISTOR	3.9 5% 1/4W	
△	R 749	QRJ146J-3R9X	UNF C RESISTOR	3.9 5% 1/4W	
△	RY701	QSK0082-001	RELAY		
△	RY741	QSK0109-001	RELAY		
△	RY742	QSK0109-001	RELAY		
△	RY743	QSK0109-001	RELAY		
	R1422	NRSA63J-104X	MG RESISTOR		
	R1431	NRSA63J-221X	MG RESISTOR		
	R1432	NRSA63J-221X	MG RESISTOR		
	R1433	NRSA63J-221X	MG RESISTOR		
	S 401	QSW0683-001Z	PUSH SWITCH	SURROUND	
	S 402	QSW0683-001Z	PUSH SWITCH	DSP MODE	
	S 403	QSW0683-001Z	PUSH SWITCH	INPUT MODE	
	S 404	QSW0683-001Z	PUSH SWITCH	DVD	
	S 405	QSW0683-001Z	PUSH SWITCH	STB	
	S 406	QSW0683-001Z	PUSH SWITCH	UP	
	S 407	QSW0683-001Z	PUSH SWITCH	LEFT	
	S 408	QSW0683-001Z	PUSH SWITCH	VOL.DOWN	
	S 409	QSW0683-001Z	PUSH SWITCH	ADJUST	
	S 410	QSW0683-001Z	PUSH SWITCH	SETTING	
	S 411	QSW0683-001Z	PUSH SWITCH	VCR	
	S 412	QSW0683-001Z	PUSH SWITCH	TV	
	S 413	QSW0683-001Z	PUSH SWITCH	DOWN	
	S 414	QSW0683-001Z	PUSH SWITCH	RIGHT	
	S 415	QSW0683-001Z	PUSH SWITCH	VOL.UP	
	S 416	QSW0683-001Z	PUSH SWITCH	MEMORY	
	S 417	QSW0683-001Z	PUSH SWITCH	TAPE	
	S 418	QSW0683-001Z	PUSH SWITCH	FM/AM	
	S 421	QSW0683-001Z	PUSH SWITCH	POWER	
	S 422	QSW0683-001Z	PUSH SWITCH	AMP/SWITCH	
	ST741	QNB0082-001	SPK TERMINAL	FRONT	
	ST742	QNB0016-001	SPK TERMINAL	CNT/SR	
	X 401	QAX0246-001Z	RESONATOR		

## ■ Electrical parts list (Audio signal input board)

Block No. 03

△	Item	Parts number	Parts name	Remarks	Area	△	Item	Parts number	Parts name	Remarks	Area
	C 501	NCS31HJ-331X	C CAPACITOR				C 591	NCS31HJ-220X	C CAPACITOR		
	C 502	NCS31HJ-331X	C CAPACITOR				C 592	NCS31HJ-220X	C CAPACITOR		
	C 503	QETN1HM-475Z	E CAPACITOR	4.7MF 20% 50V			C 601	QETN1HM-106Z	E CAPACITOR	10MF 20% 50V	
	C 504	QETN1HM-475Z	E CAPACITOR	4.7MF 20% 50V			C 602	QETN1HM-106Z	E CAPACITOR	10MF 20% 50V	
	C 505	QETN1HM-475Z	E CAPACITOR	4.7MF 20% 50V			C 603	QETN1HM-475Z	E CAPACITOR	4.7MF 20% 50V	
	C 506	QETN1HM-475Z	E CAPACITOR	4.7MF 20% 50V			C 604	QETN1HM-475Z	E CAPACITOR	4.7MF 20% 50V	
	C 507	NCS31HJ-331X	C CAPACITOR				C 605	QETN1HM-475Z	E CAPACITOR	4.7MF 20% 50V	
	C 508	NCS31HJ-331X	C CAPACITOR				C 606	QETN1HM-475Z	E CAPACITOR	4.7MF 20% 50V	
	C 509	QETN1HM-475Z	E CAPACITOR	4.7MF 20% 50V			CL501	QZW0038-001	WIRE CLAMP		
	C 510	QETN1HM-475Z	E CAPACITOR	4.7MF 20% 50V			CL502	QZW0038-001	WIRE CLAMP		
	C 511	QETN1HM-475Z	E CAPACITOR	4.7MF 20% 50V			CN205	QGD2501C1-04Z	SOCKET		
	C 512	QETN1HM-475Z	E CAPACITOR	4.7MF 20% 50V			CN411	QGF1205C1-17	CONNECTOR		
	C 513	NCS31HJ-331X	C CAPACITOR				CN412	QGF1205F1-14	CONNECTOR		
	C 514	NCS31HJ-331X	C CAPACITOR				CN501	QGB2510J1-20	CONNECTOR		
	C 515	NCS31HJ-221X	C CAPACITOR				CN502	QGF1205C1-27	CONNECTOR		
	C 516	NCS31HJ-221X	C CAPACITOR				CN503	QGB2510J1-12	CONNECTOR		
	C 517	NCS31HJ-331X	C CAPACITOR				CN504	QGB2510J1-04	CONNECTOR		
	C 518	NCS31HJ-331X	C CAPACITOR				CN505	QJP001-031401	SHI CR C-B WIRE		
	C 519	QETN1HM-475Z	E CAPACITOR	4.7MF 20% 50V			CN506	QJP002-021401	SHI CR C-B WIRE		
	C 520	QETN1HM-475Z	E CAPACITOR	4.7MF 20% 50V			CN507	QJP001-031101	SHI CR C-B WIRE		
	C 521	QETN1HM-106Z	E CAPACITOR	10MF 20% 50V			CN508	QJQ007-031201	SKT WIRE ASSY		
	C 522	QETN1HM-106Z	E CAPACITOR	10MF 20% 50V			CN511	QGB2510K1-20	B TO B CONNE		
	C 523	QFLC1HJ-683Z	M CAPACITOR	.068MF 5% 50V			CN512	QGF1205F1-27	CONNECTOR		
	C 524	QFLC1HJ-683Z	M CAPACITOR	.068MF 5% 50V			CN601	QGB2510J1-20	CONNECTOR		
	C 525	QFLC1HJ-682Z	M CAPACITOR	6800PF 5% 50V			C1505	NCS31HJ-331X	C CAPACITOR		
	C 526	QFLC1HJ-682Z	M CAPACITOR	6800PF 5% 50V			C1506	NCS31HJ-331X	C CAPACITOR		
	C 527	QFLC1HJ-682Z	M CAPACITOR	6800PF 5% 50V			C1507	QETN1HM-475Z	E CAPACITOR	4.7MF 20% 50V	
	C 528	QFLC1HJ-682Z	M CAPACITOR	6800PF 5% 50V			C1508	NCS31HJ-470X	C CAPACITOR		
	C 529	QETN1HM-475Z	E CAPACITOR	4.7MF 20% 50V			C1509	QETN0JM-477Z	E CAPACITOR	470MF 20% 6.3V	
	C 530	QETN1HM-475Z	E CAPACITOR	4.7MF 20% 50V			C1510	QETN1HM-475Z	E CAPACITOR	4.7MF 20% 50V	
	C 531	QFLC1HJ-104Z	M CAPACITOR	.10MF 5% 50V			C1515	NCS31HJ-331X	C CAPACITOR		
	C 532	QFLC1HJ-104Z	M CAPACITOR	.10MF 5% 50V			C1516	NCS31HJ-331X	C CAPACITOR		
	C 533	QFLC1HJ-104Z	M CAPACITOR	.10MF 5% 50V			C1517	NCS31HJ-470X	C CAPACITOR		
	C 534	QFLC1HJ-104Z	M CAPACITOR	.10MF 5% 50V			C1518	QETN0JM-477Z	E CAPACITOR	470MF 20% 6.3V	
	C 535	NCB31CK-223X	C CAPACITOR				C1519	NCS31HJ-470X	C CAPACITOR		
	C 536	NCB31CK-223X	C CAPACITOR				C1520	QETN0JM-477Z	E CAPACITOR	470MF 20% 6.3V	
	C 537	NCB31CK-223X	C CAPACITOR				C1521	NCS31HJ-470X	C CAPACITOR		
	C 541	QETN1HM-475Z	E CAPACITOR	4.7MF 20% 50V			C1522	QETN1HM-475Z	E CAPACITOR	4.7MF 20% 50V	
	C 542	QETN1HM-475Z	E CAPACITOR	4.7MF 20% 50V			C1523	NCS31HJ-470X	C CAPACITOR		
	C 544	QETN1HM-475Z	E CAPACITOR	4.7MF 20% 50V			C1524	QETN0JM-477Z	E CAPACITOR	470MF 20% 6.3V	
	C 545	QETN1HM-475Z	E CAPACITOR	4.7MF 20% 50V			C1528	QETN1CM-476Z	E CAPACITOR	47MF 20% 16V	
	C 546	QETN1HM-475Z	E CAPACITOR	4.7MF 20% 50V			C1529	QCZ0205-155Z	ML C CAPACITOR	1.5MF	
	C 549	QETN1HM-475Z	E CAPACITOR	4.7MF 20% 50V			C1536	QETN0JM-477Z	E CAPACITOR	470MF 20% 6.3V	
	C 550	QETN1HM-475Z	E CAPACITOR	4.7MF 20% 50V			C1538	QETN1HM-475Z	E CAPACITOR	4.7MF 20% 50V	
	C 551	QFLC1HJ-562Z	M CAPACITOR	5600PF 5% 50V			C1539	QETN1HM-475Z	E CAPACITOR	4.7MF 20% 50V	
	C 552	QFLC1HJ-562Z	M CAPACITOR	5600PF 5% 50V			C1540	NCS31HJ-470X	C CAPACITOR		
	C 553	QETN0JM-477Z	E CAPACITOR	470MF 20% 6.3V			C1541	QETN1CM-476Z	E CAPACITOR	47MF 20% 16V	
	C 554	QETN1HM-225Z	E CAPACITOR	2.2MF 20% 50V			C1542	QETN1HM-475Z	E CAPACITOR	4.7MF 20% 50V	
	C 555	NCB31CK-223X	C CAPACITOR				C1543	NCB31CK-223X	C CAPACITOR		
	C 556	NCB31CK-223X	C CAPACITOR				C1544	NCB31CK-223X	C CAPACITOR		
	C 557	QETN1EM-476Z	E CAPACITOR	47MF 20% 25V			D 503	MTZJ7.5C-T2	Z DIODE		
	C 558	QETN1EM-476Z	E CAPACITOR	47MF 20% 25V			D 504	MTZJ7.5C-T2	Z DIODE		
	C 559	QETN1EM-476Z	E CAPACITOR	47MF 20% 25V			D 505	MTZJ15C-T2	Z DIODE		
	C 560	QETN1EM-107Z	E CAPACITOR	100MF 20% 25V			D 506	MTZJ15C-T2	Z DIODE		
	C 561	QETN1EM-107Z	E CAPACITOR	100MF 20% 25V			D 507	MTZJ5.6C-T2	Z DIODE		
	C 562	QETN1EM-107Z	E CAPACITOR	100MF 20% 25V			D 508	MTZJ5.6C-T2	Z DIODE		
	C 563	QCZ0205-155Z	ML C CAPACITOR	1.5MF			D 509	1SS355-X	DIODE		
	C 564	QCF31HZ-223Z	C CAPACITOR	.022MF +80~-20%			D 511	MTZJ13C-T2	Z DIODE		
	C 565	QETN1EM-107Z	E CAPACITOR	100MF 20% 25V			D 512	MTZJ13C-T2	Z DIODE		
	C 566	QETN1EM-107Z	E CAPACITOR	100MF 20% 25V			D 513	MTZJ13C-T2	Z DIODE		
	C 577	QETN1CM-476Z	E CAPACITOR	47MF 20% 16V			D 514	MTZJ13C-T2	Z DIODE		
	C 578	QETN1CM-476Z	E CAPACITOR	47MF 20% 16V			D 515	MTZJ13C-T2	Z DIODE		
	C 581	QETN1HM-225Z	E CAPACITOR	2.2MF 20% 50V			D 516	MTZJ13C-T2	Z DIODE		

## ■ Electrical parts list (Audio signal input board)

Block No. 03

△	Item	Parts number	Parts name	Remarks	Area	△	Item	Parts number	Parts name	Remarks	Area
	D 517	MTZJ13C-T2	Z DIODE				Q 525	DTA114EKA-X	D TRANSISTOR		
	D 518	MTZJ13C-T2	Z DIODE			△	Q 526	2SD2395/EF/	TRANSISTOR		
	D 519	MTZJ10C-T2	Z DIODE				Q1501	DTC114TKA-X	TRANSISTOR		
	D 520	MTZJ13C-T2	Z DIODE				Q1502	DTC114TKA-X	TRANSISTOR		
	D1501	MTZJ13C-T2	Z DIODE				Q1503	DTC114TKA-X	TRANSISTOR		
	D1503	MTZJ13C-T2	Z DIODE				Q1504	KTA1267/YG/-T	TRANSISTOR		
	D1504	MTZJ13C-T2	Z DIODE				Q1505	KTA1267/YG/-T	TRANSISTOR		
	D1505	MTZJ13C-T2	Z DIODE				Q1506	KTA1267/YG/-T	TRANSISTOR		
	D1506	MTZJ8.2C-T2	Z DIODE				Q1514	DTC114EKA-X	TRANSISTOR		
	D1507	1SS133-T2	SI DIODE				Q1515	DTC114EKA-X	TRANSISTOR		
	D1508	1SS133-T2	SI DIODE				Q1520	DTC114EKA-X	TRANSISTOR		
	EP501	E409182-001SM	GRAND TERMINAL				Q1521	DTC114TKA-X	TRANSISTOR		
	EP502	QNZ0136-001Z	EARTH PLATE				Q1522	DTC114TKA-X	TRANSISTOR		
	EP511	E409182-001SM	GRAND TERMINAL				Q1523	2SC3576-JVC-T	TRANSISTOR		
	FL501	QQR0590-001	FILTER				Q1524	2SC3576-JVC-T	TRANSISTOR		
	FL502	QQR0590-001	FILTER				Q1525	2SC3576-JVC-T	TRANSISTOR		
	FW501	QUM132-06Z4Z4	PARA RIBON WIRE				Q1526	2SC3576-JVC-T	TRANSISTOR		
	HS512	E70306-001	HEAT SINK				Q1527	KTA1267/YG/-T	TRANSISTOR		
	HS513	E70306-001	HEAT SINK				Q1528	KTA1267/YG/-T	TRANSISTOR		
	HS514	E70306-001	HEAT SINK				Q1531	DTA114YKA-X	TRANSISTOR		
	HS515	E70306-001	HEAT SINK				Q1532	DTA114YKA-X	TRANSISTOR		
	HS520	E70306-001	HEAT SINK				R 501	NRSA63J-471X	MG RESISTOR		
	HS521	E70306-001	HEAT SINK				R 502	NRSA63J-471X	MG RESISTOR		
	HS526	E70306-001	HEAT SINK				R 503	NRSA63J-750X	MG RESISTOR		
	IC501	M61501FP	IC				R 504	NRSA63J-331X	MG RESISTOR		
	IC503	BA15218F-XE	IC				R 505	NRSA63J-750X	MG RESISTOR		
	IC511	NJM2246M-X	IC				R 506	NRSA63J-331X	MG RESISTOR		
	IC512	NJM2246M-X	IC				R 507	NRSA63J-750X	MG RESISTOR		
	IC513	NJM2246M-X	IC				R 508	NRSA63J-331X	MG RESISTOR		
	IC514	NJM2293M-W	IC				R 509	NRSA63J-750X	MG RESISTOR		
	IC515	NJM2279M-W	IC				R 510	NRSA63J-750X	MG RESISTOR		
	IC516	NJM2267M-W	IC				R 511	NRSA63J-331X	MG RESISTOR		
	J 501	QNZ0502-001	RGB CONNECTOR	DVD			R 513	NRSA63J-471X	MG RESISTOR		
	J 502	QNZ0502-001	RGB CONNECTOR	STB			R 514	NRSA63J-471X	MG RESISTOR		
	J 503	QNN0163-001	PIN JACK				R 515	NRSA63J-750X	MG RESISTOR		
	J 504	QNN0060-001	PIN JACK	SUBWOOFER OUT			R 516	NRSA63J-331X	MG RESISTOR		
	J1501	QNZ0502-001	RGB CONNECTOR	VCR			R 517	NRSA63J-750X	MG RESISTOR		
	J1502	QNZ0502-001	RGB CONNECTOR	TV			R 518	NRSA63J-331X	MG RESISTOR		
	K 501	NRSA63J-0R0X	MG RESISTOR				R 519	NRSA63J-750X	MG RESISTOR		
	K 502	NRSA63J-0R0X	MG RESISTOR				R 520	NRSA63J-331X	MG RESISTOR		
	Q 501	2SC3576-JVC-T	TRANSISTOR				R 521	NRSA63J-750X	MG RESISTOR		
	Q 502	2SC3576-JVC-T	TRANSISTOR				R 522	NRSA63J-750X	MG RESISTOR		
	Q 503	2SC3576-JVC-T	TRANSISTOR				R 523	NRSA63J-331X	MG RESISTOR		
	Q 505	2SC3576-JVC-T	TRANSISTOR				R 525	NRSA63J-471X	MG RESISTOR		
	Q 506	2SC3576-JVC-T	TRANSISTOR				R 526	NRSA63J-471X	MG RESISTOR		
	Q 507	2SC3576-JVC-T	TRANSISTOR				R 527	NRSA63J-471X	MG RESISTOR		
	Q 508	2SC3576-JVC-T	TRANSISTOR				R 528	NRSA63J-471X	MG RESISTOR		
	Q 509	DTA114YKA-X	TRANSISTOR				R 529	NRSA63J-102X	MG RESISTOR		
△	Q 510	KTA1271/OY/-T	TRANSISTOR				R 530	NRSA63J-102X	MG RESISTOR		
△	Q 511	KTC3203/OY/-T	TRANSISTOR				R 531	NRSA63J-103X	MG RESISTOR		
△	Q 512	KTA1046/Y/	TRANSISTOR				R 532	NRSA63J-103X	MG RESISTOR		
△	Q 513	2SD2395/EF/	TRANSISTOR				R 533	NRSA63J-472X	MG RESISTOR		
△	Q 514	2SD2395/EF/	TRANSISTOR				R 534	NRSA63J-472X	MG RESISTOR		
△	Q 515	2SD2395/EF/	TRANSISTOR				R 535	NRSA63J-103X	MG RESISTOR		
	Q 516	DTA114YKA-X	TRANSISTOR				R 536	NRSA63J-103X	MG RESISTOR		
	Q 517	DTC114EKA-X	TRANSISTOR				R 537	NRSA63J-103X	MG RESISTOR		
△	Q 518	KTC3203/OY/-T	TRANSISTOR				R 538	NRSA63J-103X	MG RESISTOR		
	Q 519	DTC114EKA-X	TRANSISTOR			△	R 541	QRJ146J-2R2X	UNF C RESISTOR	2.2 5% 1/4W	
△	Q 520	2SD2395/EF/	TRANSISTOR			△	R 542	QRJ146J-2R2X	UNF C RESISTOR	2.2 5% 1/4W	
△	Q 521	2SD2395/EF/	TRANSISTOR				R 545	NRSA63J-104X	MG RESISTOR		
	Q 522	DTA114EKA-X	D TRANSISTOR				R 546	NRSA63J-104X	MG RESISTOR		
	Q 523	DTC114EKA-X	TRANSISTOR				R 547	NRSA63J-102X	MG RESISTOR		
	Q 524	DTA114EKA-X	D TRANSISTOR				R 548	NRSA63J-102X	MG RESISTOR		

## ■ Electrical parts list (Audio signal input board)

Block No. 03

△	Item	Parts number	Parts name	Remarks	Area
	R 549	NRSA63J-103X	MG RESISTOR		
	R 550	NRSA63J-103X	MG RESISTOR		
	R 552	NRSA63J-104X	MG RESISTOR		
	R 554	NRSA63J-273X	MG RESISTOR		
	R 556	NRSA63J-102X	MG RESISTOR		
	R 557	NRSA63J-104X	MG RESISTOR		
	R 558	NRSA63J-104X	MG RESISTOR		
	R 559	NRSA63J-102X	MG RESISTOR		
	R 561	NRSA63J-103X	MG RESISTOR		
	R 569	NRSA63J-104X	MG RESISTOR		
	R 570	NRSA63J-104X	MG RESISTOR		
	R 571	NRSA63J-102X	MG RESISTOR		
	R 572	NRSA63J-102X	MG RESISTOR		
	R 573	NRSA63J-103X	MG RESISTOR		
	R 574	NRSA63J-103X	MG RESISTOR		
	R 575	NRSA63J-472X	MG RESISTOR		
	R 576	NRSA63J-472X	MG RESISTOR		
△	R 577	QRJ146J-220X	UNF C RESISTOR	22 5% 1/4W	
	R 578	NRSA63J-102X	MG RESISTOR		
△	R 579	QRZ9005-680X	F RESISTOR	68 1/0W	
△	R 580	QRZ9005-680X	F RESISTOR	68 1/0W	
△	R 581	QRZ9005-100X	F RESISTOR	10 1/0W	
△	R 582	QRJ146J-222X	UNF C RESISTOR	2.2K 5% 1/4W	
△	R 583	QRZ9005-100X	F RESISTOR	10 1/0W	
△	R 584	QRJ146J-222X	UNF C RESISTOR	2.2K 5% 1/4W	
△	R 585	QRZ9005-100X	F RESISTOR	10 1/0W	
△	R 586	QRJ146J-182X	UNF C RESISTOR	1.8K 5% 1/4W	
△	R 588	QRJ146J-182X	UNF C RESISTOR	1.8K 5% 1/4W	
△	R 589	QRZ9005-120X	F RESISTOR	12 1/0W	
△	R 590	QRJ146J-682X	UNF C RESISTOR	6.8K 5% 1/4W	
△	R 591	QRZ9006-4R7X	F RESISTOR	4.7 1/0W	
△	R 592	QRZ9006-4R7X	F RESISTOR	4.7 1/0W	
△	R 593	QRJ146J-272X	UNF C RESISTOR	2.7K 5% 1/4W	
△	R 594	QRZ9006-5R6X	F RESISTOR	5.6 1/0W	
△	R 595	QRZ9005-100X	F RESISTOR	10 1/0W	
△	R 596	QRJ146J-102X	UNF C RESISTOR	1.0K 5% 1/4W	
△	R 597	QRZ9006-4R7X	F RESISTOR	4.7 1/0W	
△	R 598	QRJ146J-182X	UNF C RESISTOR	1.8K 5% 1/4W	
△	R 599	QRZ9006-4R7X	F RESISTOR	4.7 1/0W	
△	R 602	QRK126J-120X	UNF C RESISTOR	12 5% 1/2W	
△	R 603	QRK126J-3R9X	C RESISTOR	3.9 5% 1/2W	
	R1501	NRSA63J-101X	MG RESISTOR		
	R1502	NRSA63J-101X	MG RESISTOR		
	R1503	NRSA63J-471X	MG RESISTOR		
	R1504	NRSA63J-471X	MG RESISTOR		
	R1505	NRSA63J-750X	MG RESISTOR		
	R1506	NRSA63J-331X	MG RESISTOR		
	R1507	NRSA63J-473X	MG RESISTOR		
	R1508	NRSA63J-750X	MG RESISTOR		
	R1509	NRSA63J-750X	MG RESISTOR		
	R1510	NRSA63J-331X	MG RESISTOR		
	R1511	NRSA63J-101X	MG RESISTOR		
	R1512	NRSA63J-101X	MG RESISTOR		
	R1513	NRSA63J-471X	MG RESISTOR		
	R1514	NRSA63J-471X	MG RESISTOR		
	R1515	NRSA63J-750X	MG RESISTOR		
	R1516	NRSA63J-473X	MG RESISTOR		
	R1517	NRSA63J-750X	MG RESISTOR		
	R1518	NRSA63J-473X	MG RESISTOR		
	R1519	NRSA63J-750X	MG RESISTOR		
	R1520	NRSA63J-473X	MG RESISTOR		
	R1521	NRSA63J-750X	MG RESISTOR		
	R1522	NRSA63J-750X	MG RESISTOR		
	R1523	NRSA63J-331X	MG RESISTOR		
	R1524	NRSA63J-750X	MG RESISTOR		
	R1525	NRSA63J-473X	MG RESISTOR		
	R1529	NRSA63J-391X	MG RESISTOR		
	R1530	NRSA63J-391X	MG RESISTOR		
	R1531	NRSA63J-391X	MG RESISTOR		
	R1547	NRSA63J-102X	MG RESISTOR		
	R1548	NRSA63J-102X	MG RESISTOR		
	R1549	NRSA63J-104X	MG RESISTOR		
△	R1556	QRJ146J-2R2X	UNF C RESISTOR	2.2 5% 1/4W	
	R1558	NRSA63J-105X	MG RESISTOR		
	R1560	NRSA63J-750X	MG RESISTOR		
	R1561	NRSA63J-751X	MG RESISTOR		
	R1562	NRSA63J-751X	MG RESISTOR		
	R1563	NRSA63J-103X	MG RESISTOR		
	R1564	NRSA63J-103X	MG RESISTOR		
	R1565	NRSA63J-751X	MG RESISTOR		
	R1566	NRSA63J-751X	MG RESISTOR		
	R1567	NRSA63J-103X	MG RESISTOR		
	R1568	NRSA63J-103X	MG RESISTOR		
	R1569	NRSA63J-331X	MG RESISTOR		
	R1570	NRSA63J-750X	MG RESISTOR		
	R1571	NRSA63J-331X	MG RESISTOR		
	R1572	NRSA63J-750X	MG RESISTOR		
	R1573	NRSA63J-511X	MG RESISTOR		
	R1574	NRSA63J-511X	MG RESISTOR		
△	R1575	QRZ9005-101X	F RESISTOR	100 1/0W	
	R1576	NRSA63J-221X	MG RESISTOR		
	R1577	NRSA63J-221X	MG RESISTOR		
	R1578	NRSA63J-221X	MG RESISTOR		
	R1579	NRSA63J-103X	MG RESISTOR		
	R1601	NRSA63J-104X	MG RESISTOR		
	R1602	NRSA63J-104X	MG RESISTOR		
	R1603	NRSA63J-104X	MG RESISTOR		
	R1604	NRSA63J-104X	MG RESISTOR		
	R1605	NRSA63J-301X	MG RESISTOR		
	R1606	NRSA63J-301X	MG RESISTOR		
	R1611	NRSA63J-104X	MG RESISTOR		
	R1612	NRSA63J-104X	MG RESISTOR		
	R1613	NRSA63J-104X	MG RESISTOR		
	R1614	NRSA63J-104X	MG RESISTOR		
	R1615	NRSA63J-104X	MG RESISTOR		
	R1616	NRSA63J-104X	MG RESISTOR		
	R1617	NRSA63J-104X	MG RESISTOR		
	R1618	NRSA63J-104X	MG RESISTOR		
	R1619	NRSA63J-104X	MG RESISTOR		
	R1620	NRSA63J-104X	MG RESISTOR		
	R1621	NRSA63J-102X	MG RESISTOR		
	R1623	QRE141J-820Y	C RESISTOR	82 5% 1/4W	
	R1624	QRE141J-820Y	C RESISTOR	82 5% 1/4W	
△	R1625	QRJ146J-2R2X	UNF C RESISTOR	2.2 5% 1/4W	
△	R1626	QRJ146J-2R2X	UNF C RESISTOR	2.2 5% 1/4W	
	R1631	NQR0269-004X	FERRITE BEADS		
	R1632	NQR0269-004X	FERRITE BEADS		
	R1633	NQR0269-004X	FERRITE BEADS		
	R1634	NQR0269-004X	FERRITE BEADS		

## ■ Electrical parts list (DSP board)

Block No. 04

△	Item	Parts number	Parts name	Remarks	Area	△	Item	Parts number	Parts name	Remarks	Area
	C 601	NCB31HK-221X	C CAPACITOR				C2515	NCS31HJ-121X	C CAPACITOR		
	C 602	NCB31HK-221X	C CAPACITOR				C2516	NCS31HJ-121X	C CAPACITOR		
	C 603	QETN0JM-107Z	E CAPACITOR	100MF 20% 6.3V			C2517	NCS31HJ-391X	C CAPACITOR		
	C 604	QETN0JM-107Z	E CAPACITOR	100MF 20% 6.3V			C2518	NCS31HJ-391X	C CAPACITOR		
	C 605	NCF31CZ-104X	C CAPACITOR				C2525	NCB31HK-102X	C CAPACITOR		
	C 606	NCF31CZ-104X	C CAPACITOR				C2526	NCB31HK-102X	C CAPACITOR		
	C 607	QETN1CM-107Z	E CAPACITOR	100MF 20% 16V			C2527	QETN1HM-106Z	E CAPACITOR	10MF 20% 50V	
	C 608	NCF31CZ-104X	C CAPACITOR				C2528	QETN1HM-106Z	E CAPACITOR	10MF 20% 50V	
	C 609	NCF31CZ-104X	C CAPACITOR				C2531	NCS31HJ-560X	C CAPACITOR		
	C 610	QETN0JM-107Z	E CAPACITOR	100MF 20% 6.3V			C2532	NCS31HJ-560X	C CAPACITOR		
	C 611	QETN0JM-107Z	E CAPACITOR	100MF 20% 6.3V			C2533	QETN1HM-475Z	E CAPACITOR	4.7MF 20% 50V	
	C 612	NCB31CK-103X	C CAPACITOR				C2534	QETN1HM-475Z	E CAPACITOR	4.7MF 20% 50V	
	C 621	QETN1HM-105Z	E CAPACITOR	1.0MF 20% 50V			C2539	NCF31CZ-104X	C CAPACITOR		
	C 622	NCS31HJ-101X	C CAPACITOR				C2540	NCF31CZ-104X	C CAPACITOR		
	C 624	NCF31CZ-104X	C CAPACITOR				C2551	NCS31HJ-560X	C CAPACITOR		
	C 626	NCB31CK-104X	C CAPACITOR				C2552	NCS31HJ-560X	C CAPACITOR		
	C 628	NCB31CK-103X	C CAPACITOR				C2555	NCF31CZ-104X	C CAPACITOR		
	C 631	QETN0JM-107Z	E CAPACITOR	100MF 20% 6.3V			C2556	NCF31CZ-104X	C CAPACITOR		
	C 632	NCB31CK-103X	C CAPACITOR				C2561	QETN1HM-105Z	E CAPACITOR	1.0MF 20% 50V	
	C 633	NCF31CZ-104X	C CAPACITOR				C2562	QETN1HM-105Z	E CAPACITOR	1.0MF 20% 50V	
	C 634	NCF31CZ-104X	C CAPACITOR				C2563	NCS31HJ-220X	C CAPACITOR		
	C 635	NCF31CZ-104X	C CAPACITOR				C2564	NCS31HJ-220X	C CAPACITOR		
	C 636	NCB31CK-473X	C CAPACITOR				C2569	NCF31CZ-104X	C CAPACITOR		
	C 638	QETN0JM-107Z	E CAPACITOR	100MF 20% 6.3V			C2570	NCF31CZ-104X	C CAPACITOR		
	C 639	NCB31CK-103X	C CAPACITOR				C2575	NCB31HK-102X	C CAPACITOR		
	C 641	QETN0JM-107Z	E CAPACITOR	100MF 20% 6.3V			C2576	NCB31HK-102X	C CAPACITOR		
	C 642	NCB31CK-103X	C CAPACITOR				C2577	QETN1HM-106Z	E CAPACITOR	10MF 20% 50V	
	C 643	NCB31AK-474X	C CAPACITOR				C2578	QETN1HM-106Z	E CAPACITOR	10MF 20% 50V	
	C 644	NCB31CK-103X	C CAPACITOR				C2581	QETN1HM-105Z	E CAPACITOR	1.0MF 20% 50V	
	C 645	NCS31HJ-101X	C CAPACITOR				C2582	QETN1CM-106Z	E CAPACITOR	10MF 20% 16V	
	C 646	NCB31CK-103X	C CAPACITOR				C2583	NCS31HJ-220X	C CAPACITOR		
	C 647	NCS31HJ-220X	C CAPACITOR				C2584	NCS31HJ-560X	C CAPACITOR		
	C 648	NCS31HJ-180X	C CAPACITOR				C2585	NCF31CZ-104X	C CAPACITOR		
	C 649	NCS31HJ-121X	C CAPACITOR				C2586	NCF31CZ-104X	C CAPACITOR		
	C 653	NCB31CK-104X	C CAPACITOR				C2587	NCS31HJ-560X	C CAPACITOR		
	C 654	QETN0JM-107Z	E CAPACITOR	100MF 20% 6.3V			C2588	QETN1HM-475Z	E CAPACITOR	4.7MF 20% 50V	
	C 661	NCB31CK-103X	C CAPACITOR				C2589	NCF31CZ-104X	C CAPACITOR		
	C 671	NCB31CK-103X	C CAPACITOR				C2590	NCF31CZ-104X	C CAPACITOR		
	C 672	QETN0JM-107Z	E CAPACITOR	100MF 20% 6.3V			C2592	NCB31HK-223X	C CAPACITOR		
	C 673	NCB31CK-103X	C CAPACITOR				C2594	NCF31CZ-104X	C CAPACITOR		
	C 677	NCS31HJ-101X	C CAPACITOR				C2595	NCB31HK-102X	C CAPACITOR		
	C 679	NCS31HJ-101X	C CAPACITOR				C2597	QETN1HM-106Z	E CAPACITOR	10MF 20% 50V	
	C 681	NCB31CK-103X	C CAPACITOR				C2598	QETN1HM-475Z	E CAPACITOR	4.7MF 20% 50V	
	C 682	NCB31CK-103X	C CAPACITOR				D 607	1SS355-X	DIODE		
	C 683	NCB31CK-103X	C CAPACITOR				D 608	1SS355-X	DIODE		
	C 684	QETN0JM-107Z	E CAPACITOR	100MF 20% 6.3V			IC601	AK4527BVQ	IC		
	C 685	QETN1CM-476Z	E CAPACITOR	47MF 20% 16V			IC609	BA15218F-XE	IC		
	C 686	QETN1CM-476Z	E CAPACITOR	47MF 20% 16V			IC610	BA15218F-XE	IC		
	C 687	NCB31CK-103X	C CAPACITOR				IC611	BU4066BCF-X	IC		
	C 688	QETN0JM-107Z	E CAPACITOR	100MF 20% 6.3V			IC621	TC7SU04FU-X	IC		
	C 689	NCB31CK-103X	C CAPACITOR				IC622	TC7SU04FU-X	IC		
	C 690	QETN0JM-107Z	E CAPACITOR	100MF 20% 6.3V			IC631	TC9446F-014	IC		
	C 693	NCB31CK-103X	C CAPACITOR				IC641	W24L010AJ-12-X	IC		
	C 694	NCB31CK-104X	C CAPACITOR				IC650	BA15218F-XE	IC		
	CN681	QGB2510K1-20	B TO B CONNE				IC651	BA15218F-XE	IC		
	C2500	QETN1CM-226Z	E CAPACITOR	22MF 20% 16V			IC652	IMX9-W	TRANSISTOR		
	C2503	QETN1HM-475Z	E CAPACITOR	4.7MF 20% 50V			IC661	BA15218F-XE	IC		
	C2504	QETN1HM-475Z	E CAPACITOR	4.7MF 20% 50V			IC662	IMX9-W	TRANSISTOR		
	C2507	NCS31HJ-330X	C CAPACITOR				IC671	UPD784215AGC103	IC		
	C2508	NCS31HJ-330X	C CAPACITOR				IC672	TC7SET32FU-X	IC		
	C2512	NCF31CZ-104X	C CAPACITOR				IC681	PQ3DZ53-X	IC		
	C2513	NCB31HK-122X	C CAPACITOR				IC682	IMX9-W	TRANSISTOR		
	C2514	NCB31HK-122X	C CAPACITOR				IC683	RN5RZ33BA-X	IC		

## ■ Electrical parts list (DSP board)

Block No. 04

△	Item	Parts number	Parts name	Remarks	Area	△	Item	Parts number	Parts name	Remarks	Area
	IC690	BA15218F-XE	IC				R 679	NRSA63J-822X	MG RESISTOR		
	IC691	BA15218F-XE	IC				R 680	NRSA63J-822X	MG RESISTOR		
	J 601	QNN0347-001	PIN JACK				R 681	NRSA63J-103X	MG RESISTOR		
	K 601	NQR0269-004X	FERRITE BEADS				R 682	NRSA63J-103X	MG RESISTOR		
	K 603	NQR0269-004X	FERRITE BEADS				R 683	NRSA63J-0R0X	MG RESISTOR		
	K 681	NQR0319-001X	F BEADS				R 684	NRSA63J-0R0X	MG RESISTOR		
	K 682	NQR0319-001X	F BEADS				R 685	NRSA63J-103X	MG RESISTOR		
	K 687	NQR0319-001X	F BEADS				R 686	NRSA63J-151X	MG RESISTOR		
	K 688	NQR0319-001X	F BEADS				R 688	NRSA63J-0R0X	MG RESISTOR		
	LC631	NQR0321-001X	EMI FILTER				R 691	NRSA63J-221X	MG RESISTOR		
	Q 601	DTC114YE-X	TRANSISTOR				R 692	NRSA63J-221X	MG RESISTOR		
	Q 607	DTA144EKA-X	TRANSISTOR				R 693	NRSA63J-221X	MG RESISTOR		
	Q 670	DTC114YE-X	TRANSISTOR				R 694	NRSA63J-221X	MG RESISTOR		
	Q 671	2SD2114K/VW/-X	CHIP TRANSISTOR				R 695	NRSA63J-221X	MG RESISTOR		
	Q 672	DTC114YE-X	TRANSISTOR				R 696	NRSA63J-221X	MG RESISTOR		
	Q 673	DTA144EKA-X	TRANSISTOR				R2500	NRSA63J-102X	MG RESISTOR		
	Q2501	DTA144EKA-X	TRANSISTOR				R2501	NRSA63J-104X	MG RESISTOR		
	R 600	NRSA63J-0R0X	MG RESISTOR				R2502	NRSA63J-104X	MG RESISTOR		
	R 601	NRSA63J-473X	MG RESISTOR				R2507	NRSA63J-223X	MG RESISTOR		
	R 602	NRSA63J-473X	MG RESISTOR				R2508	NRSA63J-223X	MG RESISTOR		
	R 603	NRSA63J-473X	MG RESISTOR				R2509	NRSA63J-223X	MG RESISTOR		
	R 606	NRSA63J-221X	MG RESISTOR				R2510	NRSA63J-223X	MG RESISTOR		
	R 607	NRSA63J-221X	MG RESISTOR				R2511	NRSA63J-912X	MG RESISTOR		
	R 608	NRSA63J-221X	MG RESISTOR				R2512	NRSA63J-912X	MG RESISTOR		
	R 609	NRSA63J-221X	MG RESISTOR				R2513	NRSA63J-103X	MG RESISTOR		
	R 611	NRSA63J-221X	MG RESISTOR				R2514	NRSA63J-103X	MG RESISTOR		
	R 612	NRSA63J-221X	MG RESISTOR				R2515	NRSA63J-103X	MG RESISTOR		
	R 613	NRSA63J-822X	MG RESISTOR				R2516	NRSA63J-103X	MG RESISTOR		
	R 615	NRSA63J-432X	MG RESISTOR				R2517	NRSA63J-103X	MG RESISTOR		
	R 617	NRSA63J-103X	MG RESISTOR				R2518	NRSA63J-103X	MG RESISTOR		
	R 618	NRSA63J-103X	MG RESISTOR				R2519	NRSA63J-331X	MG RESISTOR		
	R 621	NRSA63J-221X	MG RESISTOR				R2520	NRSA63J-331X	MG RESISTOR		
	R 622	NRSA63J-750X	MG RESISTOR				R2521	NRSA63J-331X	MG RESISTOR		
	R 623	NRSA63J-101X	MG RESISTOR				R2522	NRSA63J-331X	MG RESISTOR		
	R 627	NRSA63J-472X	MG RESISTOR				R2525	NRSA63J-471X	MG RESISTOR		
	R 628	NRSA63J-183X	MG RESISTOR				R2526	NRSA63J-471X	MG RESISTOR		
	R 632	NRSA63J-0R0X	MG RESISTOR				R2527	NRSA63J-104X	MG RESISTOR		
	R 633	NRSA63J-221X	MG RESISTOR				R2528	NRSA63J-104X	MG RESISTOR		
	R 639	NRSA63J-472X	MG RESISTOR				R2529	NRSA63J-103X	MG RESISTOR		
	R 640	NRSA63J-0R0X	MG RESISTOR				R2530	NRSA63J-103X	MG RESISTOR		
	R 641	NRSA63J-102X	MG RESISTOR				R2531	NRSA63J-912X	MG RESISTOR		
	R 642	NRSA63J-103X	MG RESISTOR				R2532	NRSA63J-912X	MG RESISTOR		
	R 643	NRSA63J-101X	MG RESISTOR				R2533	NRSA63J-103X	MG RESISTOR		
	R 644	NRSA63J-563X	MG RESISTOR				R2534	NRSA63J-103X	MG RESISTOR		
	R 645	NRSA63J-102X	MG RESISTOR				R2535	NRSA63J-103X	MG RESISTOR		
	R 646	NRSA63J-103X	MG RESISTOR				R2536	NRSA63J-103X	MG RESISTOR		
	R 647	NRSA63J-225X	MG RESISTOR				R2537	NRSA63J-104X	MG RESISTOR		
	R 648	NRSA63J-472X	MG RESISTOR				R2538	NRSA63J-104X	MG RESISTOR		
	R 657	NRSA63J-103X	MG RESISTOR				R2550	NRSA63J-272X	MG RESISTOR		
	R 661	NRSA63J-221X	MG RESISTOR				R2551	NRSA63J-103X	MG RESISTOR		
	R 662	NRSA63J-221X	MG RESISTOR				R2552	NRSA63J-103X	MG RESISTOR		
	R 663	NRSA63J-221X	MG RESISTOR				R2553	NRSA63J-153X	MG RESISTOR		
	R 664	NRSA63J-221X	MG RESISTOR				R2554	NRSA63J-153X	MG RESISTOR		
	R 669	NRSA63J-103X	MG RESISTOR				R2555	NRSA63J-752X	MG RESISTOR		
	R 670	NRSA63J-103X	MG RESISTOR				R2556	NRSA63J-752X	MG RESISTOR		
	R 671	NRSA63J-103X	MG RESISTOR				R2557	NRSA63J-103X	MG RESISTOR		
	R 672	NRSA63J-105X	MG RESISTOR				R2558	NRSA63J-223X	MG RESISTOR		
	R 673	NRSA63J-432X	MG RESISTOR				R2560	NRSA63J-105X	MG RESISTOR		
	R 674	NRSA63J-432X	MG RESISTOR				R2561	NRSA63J-104X	MG RESISTOR		
	R 675	NRSA63J-432X	MG RESISTOR				R2562	NRSA63J-104X	MG RESISTOR		
	R 676	NRSA63J-432X	MG RESISTOR				R2563	NRSA63J-103X	MG RESISTOR		
	R 677	NRSA63J-822X	MG RESISTOR				R2564	NRSA63J-103X	MG RESISTOR		
	R 678	NRSA63J-822X	MG RESISTOR				R2565	NRSA63J-302X	MG RESISTOR		



## ■ Electrical parts list (DSP board)

Block No. 04

△	Item	Parts number	Parts name	Remarks	Area
	R2566	NRSA63J-302X	MG RESISTOR		
	R2567	NRSA63J-103X	MG RESISTOR		
	R2568	NRSA63J-103X	MG RESISTOR		
	R2575	NRSA63J-102X	MG RESISTOR		
	R2576	NRSA63J-102X	MG RESISTOR		
	R2577	NRSA63J-104X	MG RESISTOR		
	R2578	NRSA63J-104X	MG RESISTOR		
	R2581	NRSA63J-104X	MG RESISTOR		
	R2582	NRSA63J-104X	MG RESISTOR		
	R2583	NRSA63J-103X	MG RESISTOR		
	R2584	NRSA63J-223X	MG RESISTOR		
	R2585	NRSA63J-272X	MG RESISTOR		
	R2586	NRSA63J-332X	MG RESISTOR		
	R2587	NRSA63J-103X	MG RESISTOR		
	R2588	NRSA63J-103X	MG RESISTOR		
	R2589	NRSA63J-104X	MG RESISTOR		
	R2590	NRSA63J-333X	MG RESISTOR		
	R2592	NRSA63J-333X	MG RESISTOR		
	R2594	NRSA63J-333X	MG RESISTOR		
	R2595	NRSA63J-102X	MG RESISTOR		
	R2596	NRSA63J-102X	MG RESISTOR		
	R2597	NRSA63J-104X	MG RESISTOR		
	R2598	NRSA63J-104X	MG RESISTOR		
	UN661	GP1FA550RZ	OPT RECEIVER		
	X 631	NAX0385-001X	CRYSTAL		
	X 671	NAX0275-001X	1COSCIALLATOR		

## ■ Electrical parts list (Tuner board)

Block No. 05

△	Item	Parts number	Parts name	Remarks	Area
	AT101	QNB0014-001	ANT TERMINAL		
	BK 1	LV31618-001A	SHIELD BKT		
	C 101	NCB21HK-103X	C CAPACITOR		
	C 103	NCB21HK-223X	C CAPACITOR		
	C 105	NCB21HK-223X	C CAPACITOR		
	C 107	QEKC1CM-226Z	E CAPACITOR	22MF 20% 16V	
	C 111	NCB21HK-473X	C CAPACITOR		
	C 112	NDC21HJ-120X	C CAPACITOR		
	C 113	QCSB1HJ-120Y	C CAPACITOR	12PF 5% 50V	
	C 121	NDC21HJ-120X	C CAPACITOR		
	C 122	NDC21HJ-120X	C CAPACITOR		
	C 123	NCB21HK-473X	C CAPACITOR		
	C 126	NCS21HJ-101X	C CAPACITOR		
	C 128	QENC1HM-474Z	NP E CAPACITOR	.47MF 20% 50V	
	C 129	NCB21HK-102X	C CAPACITOR		
	C 130	QEKC1AM-107Z	E CAPACITOR	100MF 20% 10V	
	C 133	QEKC1CM-226Z	E CAPACITOR	22MF 20% 16V	
	C 134	NCB21HK-222X	C CAPACITOR		
	C 135	NCB21HK-223X	C CAPACITOR		
	C 136	QEKC1HM-105Z	E CAPACITOR	1.0MF 20% 50V	
	C 137	NCS21HJ-680X	C CAPACITOR		
	C 139	NCB21HK-393X	C CAPACITOR		
	C 140	NCB21HK-393X	C CAPACITOR		
	C 141	NCB21HK-473X	C CAPACITOR		
	C 143	NCB21HK-223X	C CAPACITOR		
	C 144	NCB21HK-473X	C CAPACITOR		
	C 146	QEKC1HM-105Z	E CAPACITOR	1.0MF 20% 50V	
	C 147	QEKC1HM-105Z	E CAPACITOR	1.0MF 20% 50V	
	C 148	QEKC1HM-224Z	E CAPACITOR	.22MF 20% 50V	
	C 149	QEKC1HM-105Z	E CAPACITOR	1.0MF 20% 50V	
	C 150	QEKC1CM-226Z	E CAPACITOR	22MF 20% 16V	
	C 156	QDGB1HK-102Y	C CAPACITOR		
	C 157	NCB21HK-473X	C CAPACITOR		
	C 158	QEKC1CM-226Z	E CAPACITOR	22MF 20% 16V	
	C 161	QEKC1CM-106Z	E CAPACITOR	10MF 20% 16V	
	C 162	QEKC1CM-106Z	E CAPACITOR	10MF 20% 16V	
	C 163	NCB21HK-223X	C CAPACITOR		
	C 164	NCB21HK-473X	C CAPACITOR		
	C 168	QEKC1HM-105Z	E CAPACITOR	1.0MF 20% 50V	
	C 184	QEKC1CM-107Z	E CAPACITOR	100MF 20% 16V	
	C 185	QEKC1CM-106Z	E CAPACITOR	10MF 20% 16V	
	C 186	QEKC1CM-106Z	E CAPACITOR	10MF 20% 16V	
	C 191	NCS21HJ-820X	C CAPACITOR		
	C 192	NCS21HJ-470X	C CAPACITOR		
	C 193	NCB21HK-561X	C CAPACITOR		
	C 194	NCB21HK-104X	C CAPACITOR		
	C 195	NCB21HK-331X	C CAPACITOR		
	C 196	QEKC1HM-225Z	E CAPACITOR	2.2MF 20% 50V	
	C 197	NCB21HK-473X	C CAPACITOR		
	C 199	QEKC1CM-106Z	E CAPACITOR	10MF 20% 16V	
	CF101	QAX0285-001Z	C FILTER		
	CF102	QAX0285-001Z	C FILTER		
	CF103	QAX0519-001Z	C FILTER		
	CN111	QGB2501K2-12	CONNECTOR		
	CN112	QGB2501K1-04	CONNECTOR		
	D 121	1SS133-T2	SI DIODE		
	D 123	1SS133-T2	SI DIODE		
	D 129	1SS133-T2	SI DIODE		
	D 131	1SS133-T2	SI DIODE		
	IC102	LA1838	IC		
	IC121	LC72136N	IC		
	IC191	SAA6588	IC(RDS)		
	L 112	QQL231K-2R7Y	INDUCTOR		

△	Item	Parts number	Parts name	Remarks	Area
	Q 102	2SC535/BC/-T	TRANSISTOR		
	Q 103	2SC461/BC/-T	TRANSISTOR		
	Q 111	KTC3199/GL/-T	TRANSISTOR		
	Q 112	KTC3199/GL/-T	TRANSISTOR		
	Q 113	DTA114YKA-X	TRANSISTOR		
	Q 121	KRA103M-T	TRANSISTOR		
	R 103	NRSA02J-221X	MG RESISTOR		
	R 104	NRSA02J-272X	MG RESISTOR		
	R 105	NRSA02J-391X	MG RESISTOR		
	R 106	NRSA02J-102X	MG RESISTOR		
	R 107	NRSA02J-561X	MG RESISTOR		
	R 108	NRSA02J-332X	MG RESISTOR		
	R 109	NRSA02J-221X	MG RESISTOR		
	R 111	NRSA02J-182X	MG RESISTOR		
	R 112	QRE141J-182Y	C RESISTOR	1.8K 5% 1/4W	
	R 114	NRSA02J-272X	MG RESISTOR		
	R 115	NRSA02J-104X	MG RESISTOR		
	R 119	NRSA02J-103X	MG RESISTOR		
	R 122	NRSA02J-472X	MG RESISTOR		
	R 124	NRSA02J-222X	MG RESISTOR		
	R 126	NRSA02J-562X	MG RESISTOR		
	R 127	NRSA02J-822X	MG RESISTOR		
	R 128	NRSA02J-472X	MG RESISTOR		
	R 129	NRSA02J-222X	MG RESISTOR		
	R 130	QRZ9005-680X	F RESISTOR	68 1/0W	
	R 132	NRSA02J-393X	MG RESISTOR		
	R 133	NRSA02J-392X	MG RESISTOR		
	R 134	NRSA02J-102X	MG RESISTOR		
	R 140	NRSA02J-473X	MG RESISTOR		
	R 141	NRSA02J-102X	MG RESISTOR		
	R 142	NRSA02J-470X	MG RESISTOR		
	R 143	NRSA02J-562X	MG RESISTOR		
	R 144	NRSA02J-332X	MG RESISTOR		
	R 145	NRSA02J-103X	MG RESISTOR		
	R 146	NRSA02J-472X	MG RESISTOR		
	R 147	NRSA02J-332X	MG RESISTOR		
	R 150	NRSA02J-331X	MG RESISTOR		
	R 157	NRSA02J-332X	MG RESISTOR		
	R 158	NRSA02J-332X	MG RESISTOR		
	R 161	NRSA02J-102X	MG RESISTOR		
	R 162	NRSA02J-102X	MG RESISTOR		
	R 182	NRSA02J-103X	MG RESISTOR		
	R 183	NRSA02J-103X	MG RESISTOR		
	R 184	NRSA02J-103X	MG RESISTOR		
	R 191	NRSA02J-102X	MG RESISTOR		
	R 192	NRSA02J-474X	MG RESISTOR		
	R 193	NRSA02J-103X	MG RESISTOR		
	R 194	NRSA02J-103X	MG RESISTOR		
	RF101	QAU0119-001	FRONT END	FOR FTZ	
	T 111	QQR0871-001	COIL BLOCK		
	T 142	QQR0973-001	IFT		
	X 121	QAX0402-001	CRYSTAL		
	X 191	QAX0263-001Z	CRYSTAL		

# Packing materials and accessories parts list

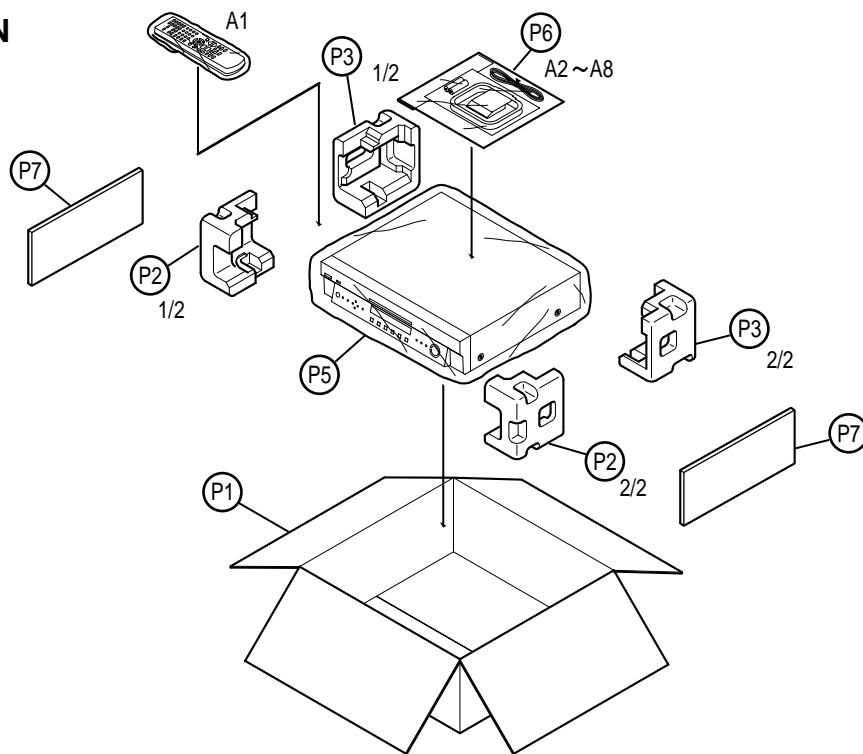
Block No. 

M	2	M	M
---	---	---	---

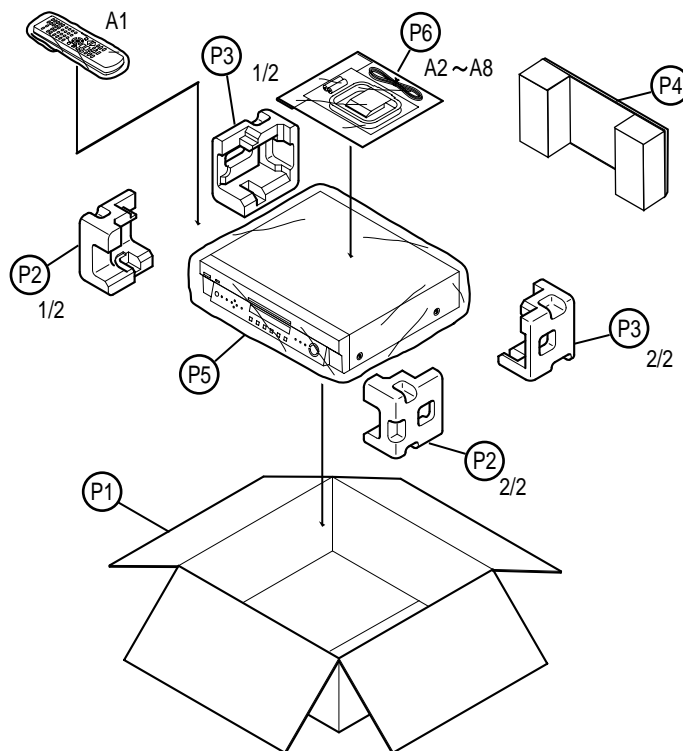
Block No. 

M	3	M	M
---	---	---	---

Ver.E/EN



Ver.B



### ■ Parts list (Packing)

Block No. M2MM

△	Item	Parts number	Parts name	Q'ty	Description	Area
	P 1	LV20978-006A	CARTON BOX	1	RX-E100RSL	E, EN
		LV20978-007A	CARTON BOX	1	RX-E100RSB	E, EN
		LV20978-001A	CARTON BOX	1	RX-E100RSL	B
	P 2	LV20963-001A	CUSHION(FRONT)	1		
	P 3	LV20964-001A	CUSHION(REAR)	1		
	P 4	LV32804-001A	PACKING SHEET	1		B
	P 5	QPC06507015P	POLY BAG	1	FOR SET	
	P 6	QPA02503505P	POLY BAG	1	FOR INST	
	P 7	LV32034-005A	SHEET	2		E, EN

### ■ Parts list (Accessories)

Block No. M3MM

△	Item	Parts number	Parts name	Q'ty	Description	Area
	A 1	RM-SRXE100R	REMOCON	1		
	A 2	-----	BATTERY	2		
	A 3	LVT0650-003A	INST BOOK	1	ENG	B
		LVT0650-005A	INST BOOK	1	SWE, FIN, DAN, GER	EN
		LVT0650-005A	INST BOOK	1	FRE, SPA, ITA	EN
		LVT0650-004A	INST BOOK	1	GER, FRE, DUT	E
	A 4	EWP503-001C	ANT.WIRE	1		
	A 5	QAL0204-001	AM LOOP ANT	1		
	A 6	E43486-340A	BS=SAFETY INST	1		B
	A 7	VNA3000-204	REGIST.CARD	1		B
	A 8	BT-54013-1	WARRANTY CARD	1		E
		BT-54008-2	WARRANTY CARD	1		B, EN