

# Quad Analog Switch/ Multiplexer/Demultiplexer with Separate Analog and Digital Power Supplies

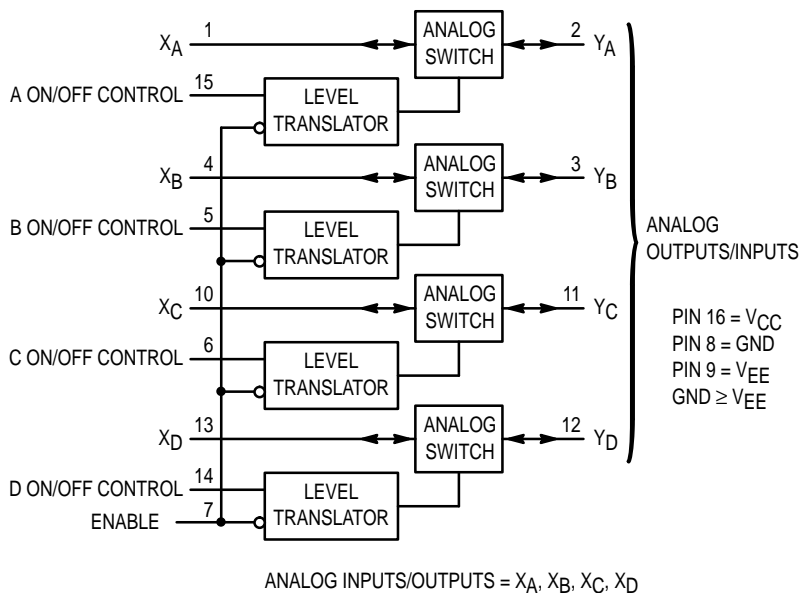
## High-Performance Silicon-Gate CMOS

The MC74HC4316 utilizes silicon-gate CMOS technology to achieve fast propagation delays, low ON resistances, and low OFF-channel leakage current. This bilateral switch/multiplexer/demultiplexer controls analog and digital voltages that may vary across the full analog power-supply range (from  $V_{CC}$  to  $V_{EE}$ ).

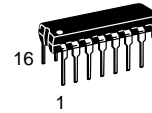
The HC4316 is similar in function to the metal-gate CMOS MC14016 and MC14066, and to the High-Speed CMOS HC4016 and HC4066. Each device has four independent switches. The device control and Enable inputs are compatible with standard CMOS outputs; with pullup resistors, they are compatible with LSTTL outputs. The device has been designed so that the ON resistances ( $R_{ON}$ ) are much more linear over input voltage than  $R_{ON}$  of metal-gate CMOS analog switches. Logic-level translators are provided so that the On/Off Control and Enable logic-level voltages need only be  $V_{CC}$  and GND, while the switch is passing signals ranging between  $V_{CC}$  and  $V_{EE}$ . When the Enable pin (active-low) is high, all four analog switches are turned off.

- Logic-Level Translator for On/Off Control and Enable Inputs
- Fast Switching and Propagation Speeds
- High ON/OFF Output Voltage Ratio
- Diode Protection on All Inputs/Outputs
- Analog Power-Supply Voltage Range ( $V_{CC} - V_{EE}$ ) = 2.0 to 12.0 Volts
- Digital (Control) Power-Supply Voltage Range ( $V_{CC} - GND$ ) = 2.0 to 6.0 Volts, Independent of  $V_{EE}$
- Improved Linearity of ON Resistance
- Chip Complexity: 66 FETs or 16.5 Equivalent Gates

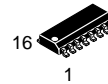
### LOGIC DIAGRAM



## MC74HC4316



**N SUFFIX**  
PLASTIC PACKAGE  
CASE 648-08



**D SUFFIX**  
SOIC PACKAGE  
CASE 751B-05

### ORDERING INFORMATION

MC74HCXXXXN Plastic  
MC74HCXXXXD SOIC

### PIN ASSIGNMENT

|                  |   |    |                  |
|------------------|---|----|------------------|
| $X_A$            | 1 | 16 | $V_{CC}$         |
| $Y_A$            | 2 | 15 | A ON/OFF CONTROL |
| $Y_B$            | 3 | 14 | D ON/OFF CONTROL |
| $X_B$            | 4 | 13 | $X_D$            |
| B ON/OFF CONTROL | 5 | 12 | $Y_D$            |
| C ON/OFF CONTROL | 6 | 11 | $Y_C$            |
| ENABLE           | 7 | 10 | $X_C$            |
| GND              | 8 | 9  | $V_{EE}$         |

### FUNCTION TABLE

| Inputs |                | State of Analog Switch |
|--------|----------------|------------------------|
| Enable | On/Off Control |                        |
| L      | H              | On                     |
| L      | L              | Off                    |
| H      | X              | Off                    |

X = don't care



**MAXIMUM RATINGS\***

| Symbol           | Parameter  | Value   | Unit |
|------------------|--|---|------|
| V <sub>CC</sub>  | Positive DC Supply Voltage (Ref. to GND)<br>(Ref. to V <sub>EE</sub> )           | - 0.5 to + 7.0<br>- 0.5 to + 14.0                 | V    |
| V <sub>EE</sub>  | Negative DC Supply Voltage (Ref. to GND)   | - 7.0 to + 0.5                                    | V    |
| V <sub>IS</sub>  | Analog Input Voltage   | V <sub>EE</sub> - 0.5<br>to V <sub>CC</sub> + 0.5 | V    |
| V <sub>in</sub>  | DC Input Voltage (Ref. to GND)   | - 1.5 to V <sub>CC</sub> + 1.5                    | V    |
| I                | DC Current Into or Out of Any Pin  | ± 25  | mA   |
| P <sub>D</sub>   | Power Dissipation in Still Air<br>Plastic DIP†<br>SOIC Package†                  | 750<br>500  | mW   |
| T <sub>stg</sub> | Storage Temperature  | - 65 to + 150                                     | °C   |
| T <sub>L</sub>   | Lead Temperature, 1 mm from Case for 10 Seconds<br>(Plastic DIP or SOIC Package) | 260   | °C   |

This device contains protection circuitry to guard against damage due to high static voltages or electric fields. However, precautions must be taken to avoid applications of any voltage higher than maximum rated voltages to this high-impedance circuit. For proper operation, V<sub>in</sub> and V<sub>out</sub> should be constrained to the range GND ≤ (V<sub>in</sub> or V<sub>out</sub>) ≤ V<sub>CC</sub>. Unused inputs must always be tied to an appropriate logic voltage level (e.g., either GND or V<sub>CC</sub>). Unused outputs must be left open. I/O pins must be connected to a properly terminated line or bus.

\* Maximum Ratings are those values beyond which damage to the device may occur. Functional operation should be restricted to the Recommended Operating Conditions.

† Derating — Plastic DIP: - 10 mW/°C from 65° to 125°C  
SOIC Package: - 7 mW/°C from 65° to 125°C

For high frequency or heavy load considerations, see Chapter 2 of the Motorola High-Speed CMOS Data Book (DL129/D).

**RECOMMENDED OPERATING CONDITIONS**

| Symbol                          | Parameter   | Min   | Max             | Unit               |    |
|---------------------------------|---|---|-----------------|--------------------|----|
| V <sub>CC</sub>                 | Positive DC Supply Voltage (Ref. to GND)                              | 2.0   | 6.0             | V                  |    |
| V <sub>EE</sub>                 | Negative DC Supply Voltage (Ref. to GND)                              | - 6.0   | GND             | V                  |    |
| V <sub>IS</sub>                 | Analog Input Voltage  | V <sub>EE</sub>   | V <sub>CC</sub> | V                  |    |
| V <sub>in</sub>                 | Digital Input Voltage (Ref. to GND)                                   | GND   | V <sub>CC</sub> | V                  |    |
| V <sub>IO</sub> *               | Static or Dynamic Voltage Across Switch                               | —   | 1.2             | V                  |    |
| T <sub>A</sub>                  | Operating Temperature, All Package Types                              | - 55  | + 125           | °C                 |    |
| t <sub>r</sub> , t <sub>f</sub> | Input Rise and Fall Time<br>(Control or Enable Inputs)<br>(Figure 10) | V <sub>CC</sub> = 2.0 V<br>V <sub>CC</sub> = 4.5 V<br>V <sub>CC</sub> = 6.0 V | 0<br>0<br>0     | 1000<br>500<br>400 | ns |

\* For voltage drops across the switch greater than 1.2 V (switch on), excessive V<sub>CC</sub> current may be drawn; i.e., the current out of the switch may contain both V<sub>CC</sub> and switch input components. The reliability of the device will be unaffected unless the Maximum Ratings are exceeded.

**DC ELECTRICAL CHARACTERISTICS** Digital Section (Voltages Referenced to GND) V<sub>EE</sub> = GND Except Where Noted

| Symbol          | Parameter   | Test Conditions   | V <sub>CC</sub><br>V | Guaranteed Limit   |                    |                    | Unit |
|-----------------|---|---|----------------------|--------------------|--------------------|--------------------|------|
|                 |   |   |                      | - 55 to<br>25°C    | ≤ 85°C             | ≤ 125°C            |      |
| V <sub>IH</sub> | Minimum High-Level Voltage, Control or Enable Inputs    | R <sub>on</sub> = Per Spec  | 2.0<br>4.5<br>6.0    | 1.5<br>3.15<br>4.2 | 1.5<br>3.15<br>4.2 | 1.5<br>3.15<br>4.2 | V    |
| V <sub>IL</sub> | Maximum Low-Level Voltage, Control or Enable Inputs     | R <sub>on</sub> = Per Spec  | 2.0<br>4.5<br>6.0    | 0.3<br>0.9<br>1.2  | 0.3<br>0.9<br>1.2  | 0.3<br>0.9<br>1.2  | V    |
| I <sub>in</sub> | Maximum Input Leakage Current, Control or Enable Inputs | V <sub>in</sub> = V <sub>CC</sub> or GND<br>V <sub>EE</sub> = - 6.0 V   | 6.0                  | ± 0.1              | ± 1.0              | ± 1.0              | µA   |
| I <sub>CC</sub> | Maximum Quiescent Supply Current (per Package)          | V <sub>in</sub> = V <sub>CC</sub> or GND<br>V <sub>IO</sub> = 0 V<br>V <sub>EE</sub> = GND<br>V <sub>EE</sub> = - 6.0 | 6.0<br>6.0           | 2<br>8             | 20<br>80           | 40<br>160          | µA   |

NOTE: Information on typical parametric values can be found in Chapter 2 of the Motorola High-Speed CMOS Data Book (DL129/D).

**DC ELECTRICAL CHARACTERISTICS** Analog Section (Voltages Referenced to  $V_{EE}$ )

| Symbol          | Parameter  | Test Conditions  | $V_{CC}$<br>V            | $V_{EE}$<br>V                | Guaranteed Limit    |                     |                     | Unit     |
|-----------------|--|--|--------------------------|------------------------------|---------------------|---------------------|---------------------|----------|
|                 |  |  |                          |                              | - 55 to<br>25°C     | ≤ 85°C              | ≤ 125°C             |          |
| $R_{on}$        | Maximum "ON" Resistance  | $V_{in} = V_{IH}$<br>$V_{IS} = V_{CC}$ to $V_{EE}$<br>$I_S \leq 2.0$ mA (Figures 1, 2)             | 2.0*                     | 0.0                          | —                   | —                   | —                   | $\Omega$ |
|                 |  |  | 4.5                      | 0.0                          | 210                 | 230                 | 250                 |          |
|                 |  |  | 4.5                      | - 4.5                        | 95                  | 105                 | 110                 |          |
|                 |  | 6.0  | - 6.0                    | 75                           | 85                  | 90                  |                     |          |
|                 |  | $V_{in} = V_{IH}$<br>$V_{IS} = V_{CC}$ or $V_{EE}$ (Endpoints)<br>$I_S \leq 2.0$ mA (Figures 1, 2) | 2.0                      | 0.0                          | —                   | —                   | —                   |          |
|                 |  |  | 4.5                      | 0.0                          | 100                 | 110                 | 130                 |          |
| 4.5             | - 4.5  |  | 80                       | 90                           | 100                 |                     |                     |          |
| 6.0             | - 6.0  | 70   | 80                       | 90                           |                     |                     |                     |          |
| $\Delta R_{on}$ | Maximum Difference in "ON" Resistance Between Any Two Channels in the Same Package | $V_{in} = V_{IH}$<br>$V_{IS} = 1/2 (V_{CC} - V_{EE})$<br>$I_S \leq 2.0$ mA                         | 2.0<br>4.5<br>4.5<br>6.0 | 0.0<br>0.0<br>- 4.5<br>- 6.0 | —<br>20<br>15<br>10 | —<br>30<br>25<br>20 | —<br>40<br>30<br>25 | $\Omega$ |
| $I_{off}$       | Maximum Off-Channel Leakage Current, Any One Channel                               | $V_{in} = V_{IL}$<br>$V_{IO} = V_{CC}$ or $V_{EE}$<br>Switch Off (Figure 3)                        | 6.0                      | - 6.0                        | 0.1                 | 0.5                 | 1.0                 | $\mu$ A  |
| $I_{on}$        | Maximum On-Channel Leakage Current, Any One Channel                                | $V_{in} = V_{IH}$<br>$V_{IS} = V_{CC}$ or $V_{EE}$<br>(Figure 4)                                   | 6.0                      | - 6.0                        | 0.1                 | 0.5                 | 1.0                 | $\mu$ A  |

\* At supply voltage ( $V_{CC} - V_{EE}$ ) approaching 2 V the analog switch-on resistance becomes extremely non-linear. Therefore, for low-voltage operation, it is recommended that these devices only be used to control digital signals.

NOTE: Information on typical parametric values can be found in Chapter 2 of the Motorola High-Speed CMOS Data Book (DL129/D).

**AC ELECTRICAL CHARACTERISTICS** ( $C_L = 50$  pF, Control or Enable  $t_r = t_f = 6$  ns,  $V_{EE} = GND$ )

| Symbol                   | Parameter  | $V_{CC}$<br>V                       | Guaranteed Limit    |        |         | Unit |    |
|--------------------------|--|-------------------------------------|---------------------|--------|---------|------|----|
|                          |  |                                     | - 55 to<br>25°C     | ≤ 85°C | ≤ 125°C |      |    |
| $t_{PLH}$ ,<br>$t_{PHL}$ | Maximum Propagation Delay, Analog Input to Analog Output<br>(Figures 8 and 9)        | 2.0                                 | 50                  | 75     | 90      | ns   |    |
|                          |  | 4.5                                 | 10                  | 15     | 18      |      |    |
|                          |  | 6.0                                 | 10                  | 13     | 15      |      |    |
| $t_{PLZ}$ ,<br>$t_{PHZ}$ | Maximum Propagation Delay, Control or Enable to Analog Output<br>(Figures 10 and 11) | 2.0                                 | 250                 | 312    | 375     | ns   |    |
|                          |  | 4.5                                 | 50                  | 63     | 75      |      |    |
|                          |  | 6.0                                 | 43                  | 54     | 64      |      |    |
| $t_{PZL}$ ,<br>$t_{PZH}$ | Maximum Propagation Delay, Control or Enable to Analog Output<br>(Figures 10 and 11) | 2.0                                 | 185                 | 220    | 265     | ns   |    |
|                          |  | 4.5                                 | 53                  | 66     | 75      |      |    |
|                          |  | 6.0                                 | 45                  | 56     | 68      |      |    |
| C                        | Maximum Capacitance  | ON/OFF Control<br>and Enable Inputs | —                   | 10     | 10      | 10   | pF |
|                          |  |                                     | Control Input = GND | —      | 35      | 35   |    |
|                          |  | Analog I/O<br>Feedthrough           | —                   | 1.0    | 1.0     | 1.0  |    |

## NOTES:

- For propagation delays with loads other than 50 pF, see Chapter 2 of the Motorola High-Speed CMOS Data Book (DL129/D).
- Information on typical parametric values can be found in Chapter 2 of the Motorola High-Speed CMOS Data Book (DL129/D).

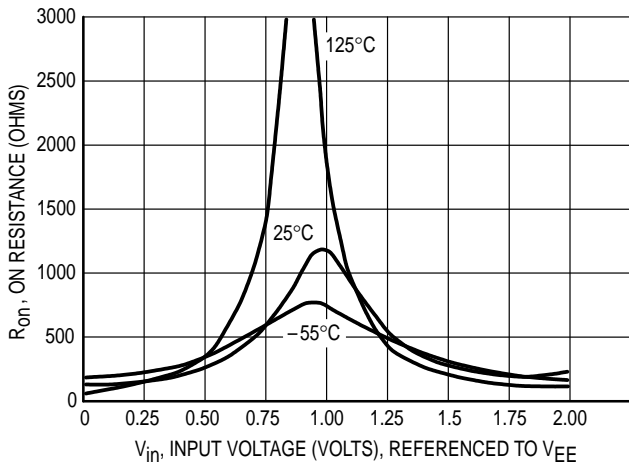
| Symbol   | Parameter   | Typical @ 25°C, $V_{CC} = 5.0$ V |  |  | Unit |
|----------|---|----------------------------------|--|--|------|
|          |   | 15                               |  |  |      |
| $C_{PD}$ | Power Dissipation Capacitance (Per Switch) (Figure 13)* | 15                               |  |  | pF   |

\* Used to determine the no-load dynamic power consumption:  $P_D = C_{PD} V_{CC}^2 f + I_{CC} V_{CC}$ . For load considerations, see Chapter 2 of the Motorola High-Speed CMOS Data Book (DL129/D).

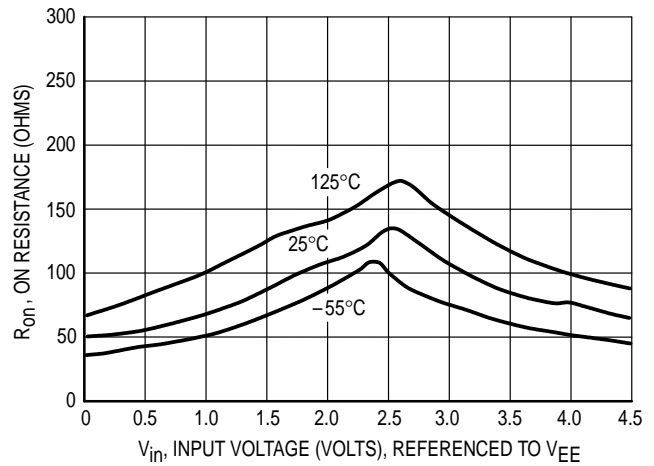
## ADDITIONAL APPLICATION CHARACTERISTICS (GND = 0 V)

| Symbol | Parameter   | Test Conditions  | V <sub>CC</sub><br>V                         | V <sub>EE</sub><br>V                               | Limit*<br>25°C                         | Unit             |
|--------|---|--|--|--|--|------------------|
| BW     | Maximum On-Channel Bandwidth or Minimum Frequency Response (Figure 5) | f <sub>in</sub> = 1 MHz Sine Wave<br>Adjust f <sub>in</sub> Voltage to Obtain 0 dBm at V <sub>OS</sub><br>Increase f <sub>in</sub> Frequency Until dB Meter Reads - 3 dB<br>R <sub>L</sub> = 50 Ω, C <sub>L</sub> = 10 pF  | 2.25<br>4.50<br>6.00                         | -2.25<br>-4.50<br>-6.00                            | 150<br>160<br>160                      | MHz              |
| —      | Off-Channel Feedthrough Isolation (Figure 6)                          | f <sub>in</sub> ≡ Sine Wave<br>Adjust f <sub>in</sub> Voltage to Obtain 0 dBm at V <sub>IS</sub><br>f <sub>in</sub> = 10 kHz, R <sub>L</sub> = 600 Ω, C <sub>L</sub> = 50 pF<br>f <sub>in</sub> = 1.0 MHz, R <sub>L</sub> = 50 Ω, C <sub>L</sub> = 10 pF                                   | 2.25<br>4.50<br>6.00<br>2.25<br>4.50<br>6.00 | -2.25<br>-4.50<br>-6.00<br>-2.25<br>-4.50<br>-6.00 | -50<br>-50<br>-50<br>-40<br>-40<br>-40 | dB               |
| —      | Feedthrough Noise, Control to Switch (Figure 7)                       | V <sub>in</sub> ≤ 1 MHz Square Wave (t <sub>r</sub> = t <sub>f</sub> = 6 ns)<br>Adjust R <sub>L</sub> at Setup so that I <sub>S</sub> = 0 A<br>R <sub>L</sub> = 600 Ω, C <sub>L</sub> = 50 pF<br>R <sub>L</sub> = 10 kΩ, C <sub>L</sub> = 10 pF  | 2.25<br>4.50<br>6.00<br>2.25<br>4.50<br>6.00 | -2.25<br>-4.50<br>-6.00<br>-2.25<br>-4.50<br>-6.00 | 60<br>130<br>200<br>30<br>65<br>100    | mV <sub>PP</sub> |
| —      | Crosstalk Between Any Two Switches (Figure 12)                        | f <sub>in</sub> ≡ Sine Wave<br>Adjust f <sub>in</sub> Voltage to Obtain 0 dBm at V <sub>IS</sub><br>f <sub>in</sub> = 10 kHz, R <sub>L</sub> = 600 Ω, C <sub>L</sub> = 50 pF<br>f <sub>in</sub> = 1.0 MHz, R <sub>L</sub> = 50 Ω, C <sub>L</sub> = 10 pF                                   | 2.25<br>4.50<br>6.00<br>2.25<br>4.50<br>6.00 | -2.25<br>-4.50<br>-6.00<br>-2.25<br>-4.50<br>-6.00 | -70<br>-70<br>-70<br>-80<br>-80<br>-80 | dB               |
| THD    | Total Harmonic Distortion (Figure 14)                                 | f <sub>in</sub> = 1 kHz, R <sub>L</sub> = 10 kΩ, C <sub>L</sub> = 50 pF<br>THD = THD <sub>Measured</sub> - THD <sub>Source</sub><br>V <sub>IS</sub> = 4.0 V <sub>PP</sub> sine wave<br>V <sub>IS</sub> = 8.0 V <sub>PP</sub> sine wave<br>V <sub>IS</sub> = 11.0 V <sub>PP</sub> sine wave | 2.25<br>4.50<br>6.00                         | -2.25<br>-4.50<br>-6.00                            | 0.10<br>0.06<br>0.04                   | %                |

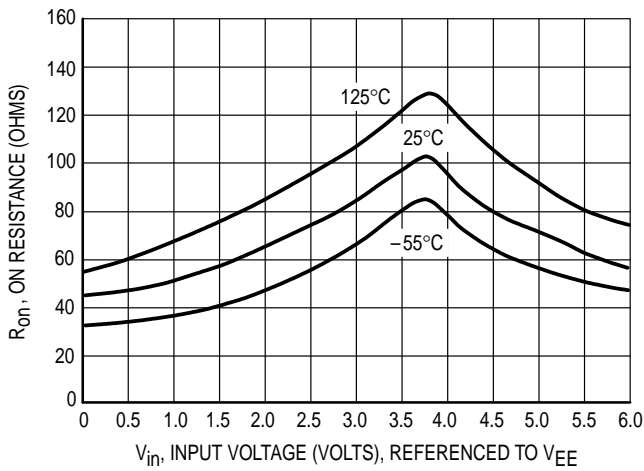
\* Limits not tested. Determined by design and verified by qualification.



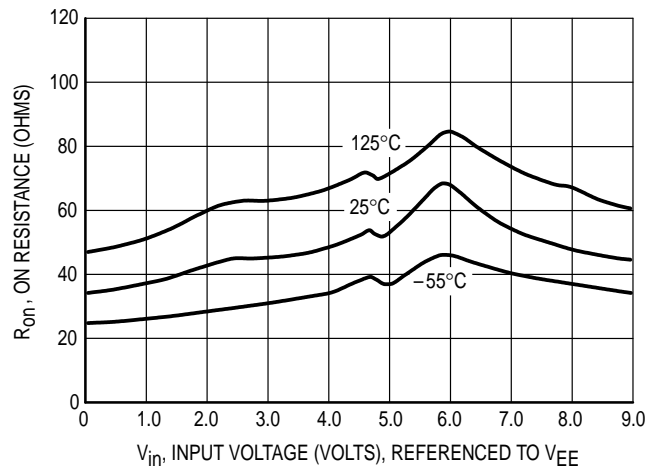
**Figure 1a. Typical On Resistance,  
VCC - VEE = 2.0 V**



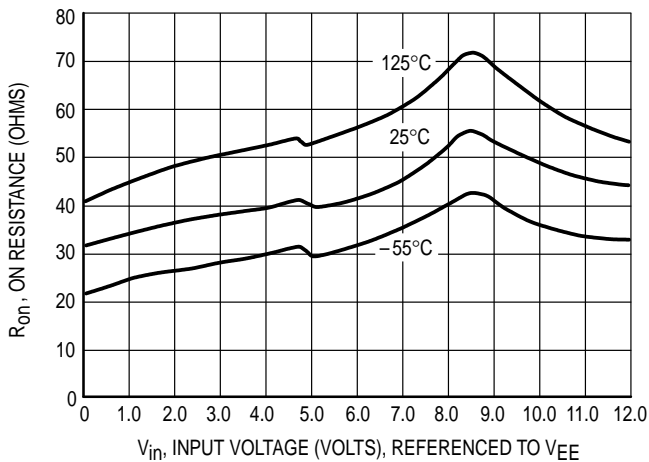
**Figure 1b. Typical On Resistance,  
VCC - VEE = 4.5 V**



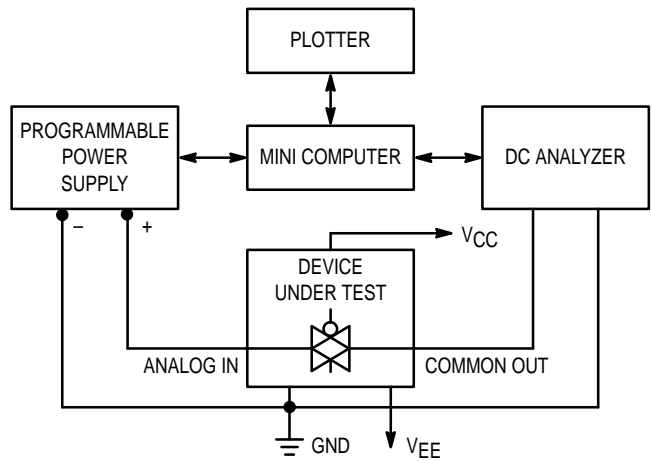
**Figure 1c. Typical On Resistance,  
VCC - VEE = 6.0 V**



**Figure 1d. Typical On Resistance,  
VCC - VEE = 9.0 V**



**Figure 1e. Typical On Resistance,**



**Figure 2. On Resistance Test Set-Up**

MC74HC4316

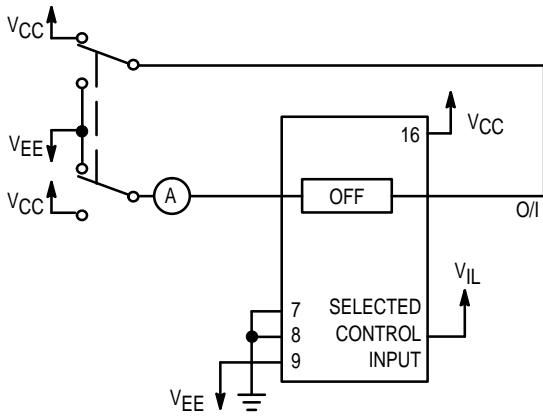


Figure 3. Maximum Off Channel Leakage Current, Any One Channel, Test Set-Up

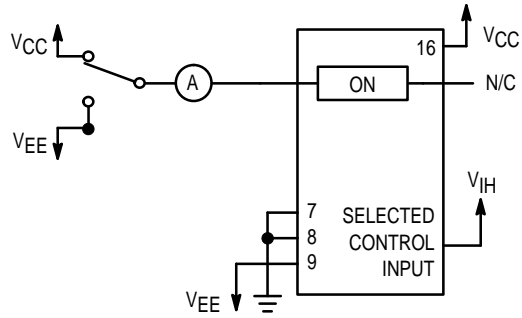
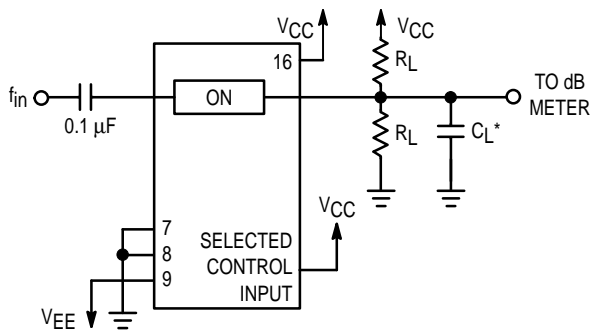
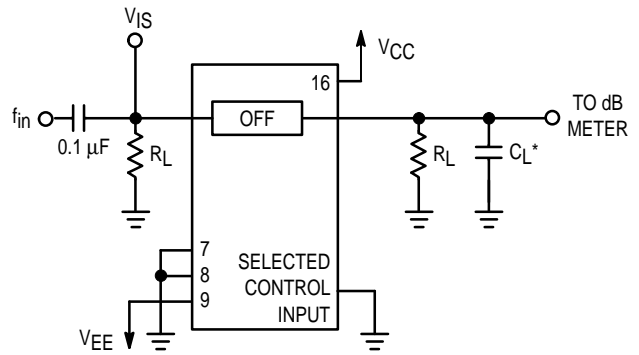


Figure 4. Maximum On Channel Leakage Current, Test Set-Up



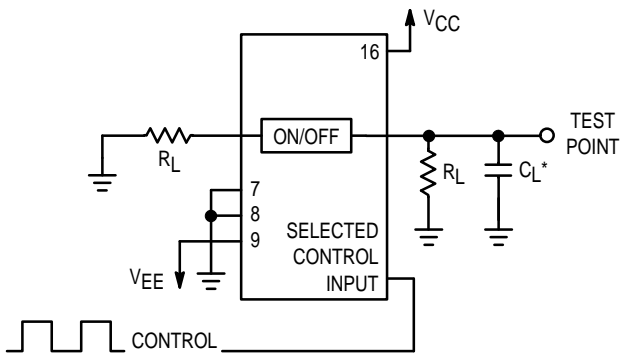
\*Includes all probe and jig capacitance.

Figure 5. Maximum On-Channel Bandwidth Test Set-Up



\*Includes all probe and jig capacitance.

Figure 6. Off-Channel Feedthrough Isolation, Test Set-Up



\*Includes all probe and jig capacitance.

Figure 7. Feedthrough Noise, Control to Analog Out, Test Set-Up

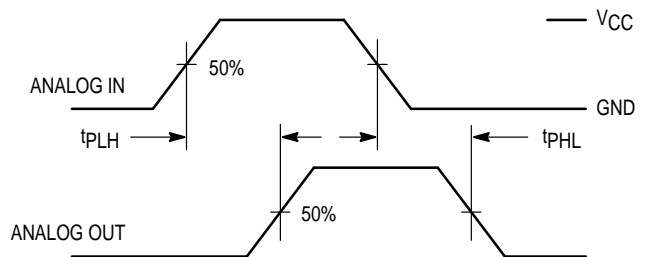
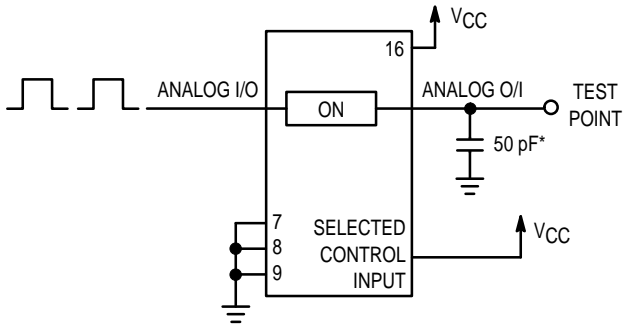


Figure 8. Propagation Delays, Analog In to Analog Out



\*Includes all probe and jig capacitance.

Figure 9. Propagation Delay Test Set-Up

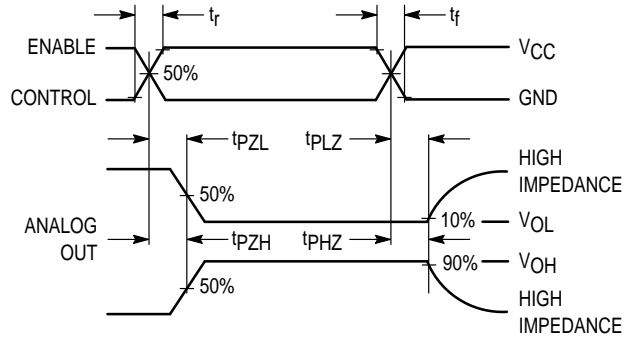
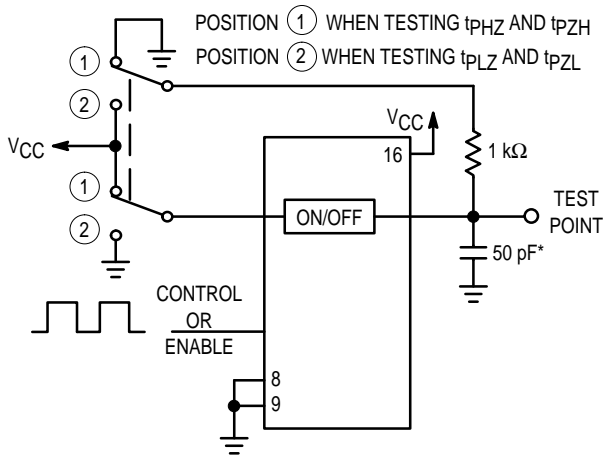
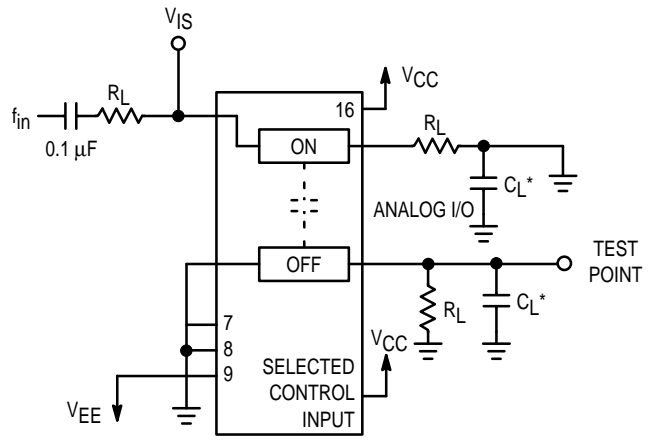


Figure 10. Propagation Delay, ON/OFF Control to Analog Out



\*Includes all probe and jig capacitance.

Figure 11. Propagation Delay Test Set-Up



\*Includes all probe and jig capacitance.

Figure 12. Crosstalk Between Any Two Switches, Test Set-Up (Adjacent Channels Used)

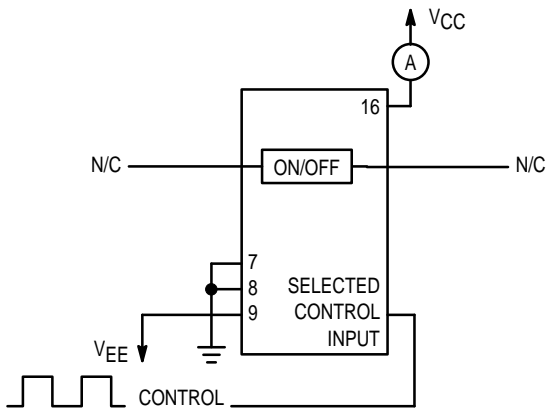
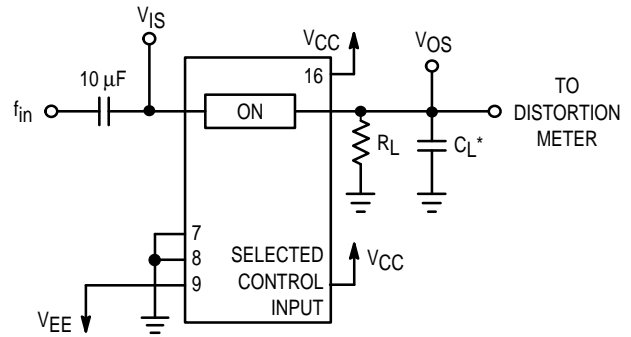


Figure 13. Power Dissipation Capacitance Test Set-Up



\*Includes all probe and jig capacitance.

Figure 14. Total Harmonic Distortion, Test Set-Up

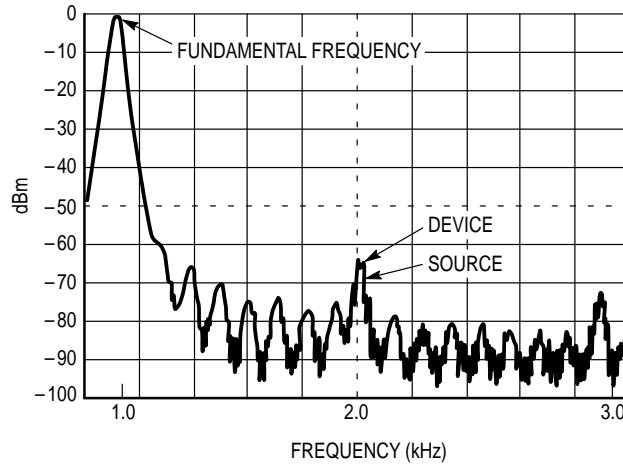


Figure 15. Plot, Harmonic Distortion

**APPLICATION INFORMATION**

The Enable and Control pins should be at  $V_{CC}$  or GND logic levels,  $V_{CC}$  being recognized as logic high and GND being recognized as a logic low. Unused analog inputs/outputs may be left floating (not connected). However, it is advisable to tie unused analog inputs and outputs to  $V_{CC}$  or  $V_{EE}$  through a low value resistor. This minimizes crosstalk and feedthrough noise that may be picked up by the unused I/O pins.

The maximum analog voltage swings are determined by the supply voltages  $V_{CC}$  and  $V_{EE}$ . The positive peak analog voltage should not exceed  $V_{CC}$ . Similarly, the negative peak analog voltage should not go below  $V_{EE}$ . In the example

below, the difference between  $V_{CC}$  and  $V_{EE}$  is twelve volts. Therefore, using the configuration in Figure 16, a maximum analog signal of twelve volts peak-to-peak can be controlled.

When voltage transients above  $V_{CC}$  and/or below  $V_{EE}$  are anticipated on the analog channels, external diodes ( $D_x$ ) are recommended as shown in Figure 17. These diodes should be small signal, fast turn-on types able to absorb the maximum anticipated current surges during clipping. An alternate method would be to replace the  $D_x$  diodes with MO•sorbs (Motorola high current surge protectors). MO•sorbs are fast turn-on devices ideally suited for precise dc protection with no inherent wear out mechanism.

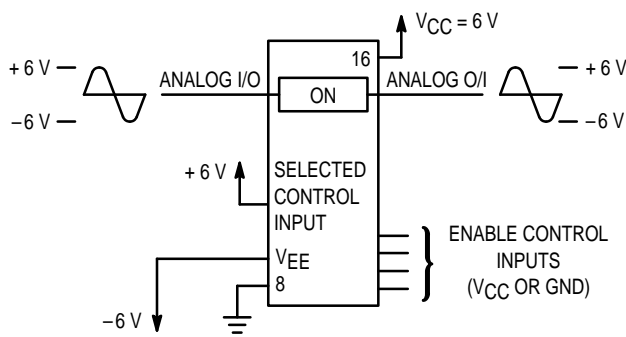


Figure 16.

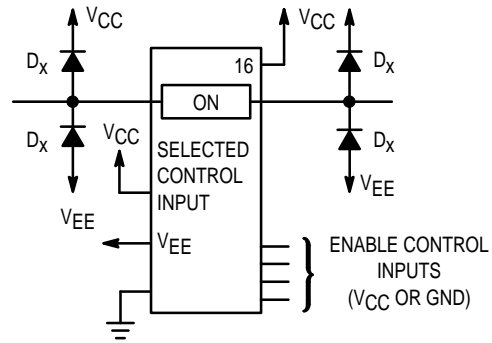


Figure 17. Transient Suppressor Application



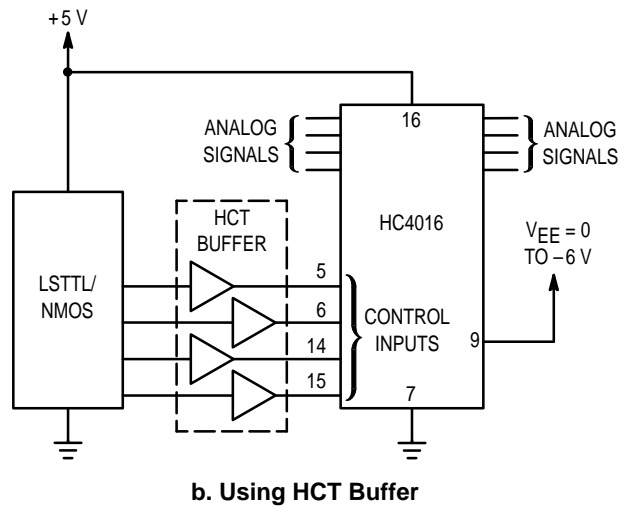
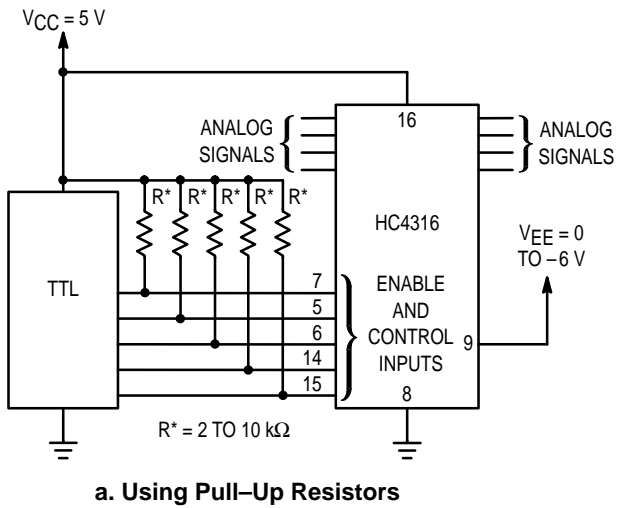


Figure 18. LSTTL/NMOS to HCMOS Interface

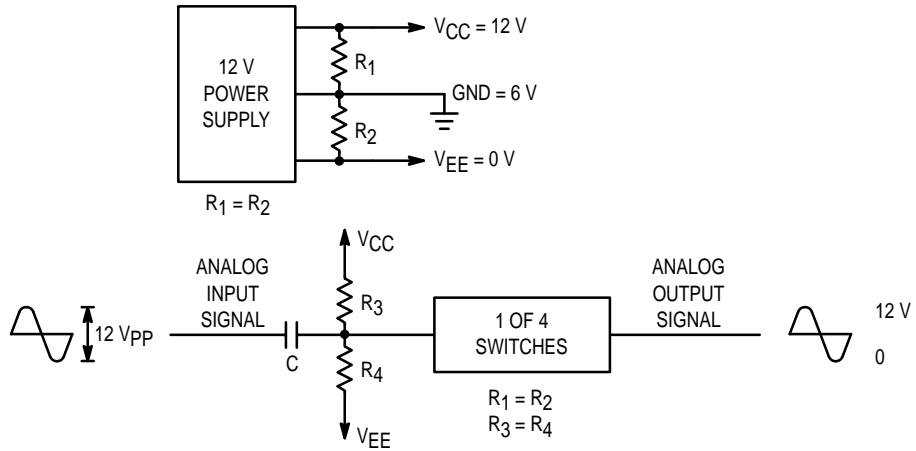


Figure 19. Switching a 0-to-12 V Signal Using a Single Power Supply (GND ≠ 0 V)

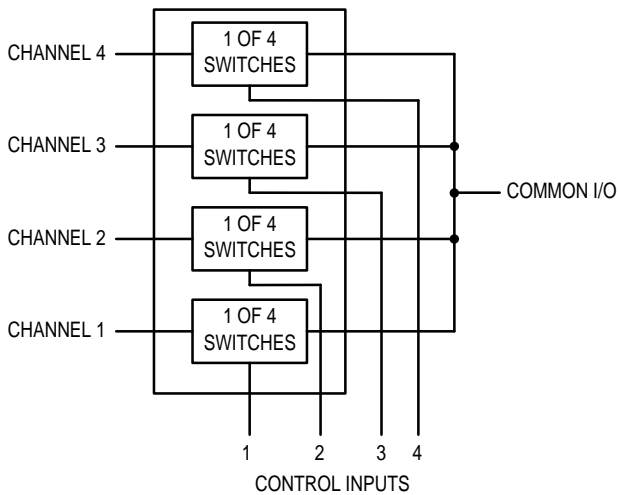


Figure 20. 4-Input Multiplexer

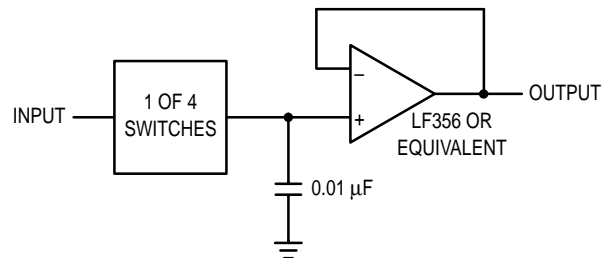
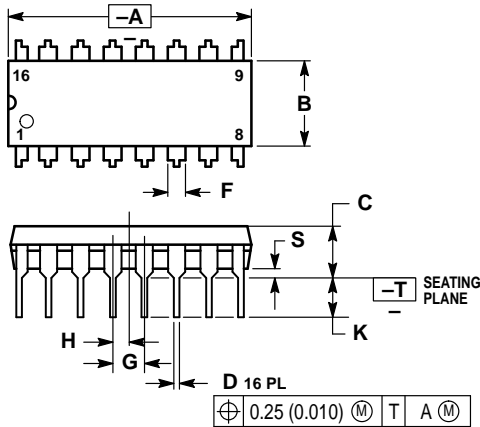


Figure 21. Sample/Hold Amplifier

OUTLINE DIMENSIONS

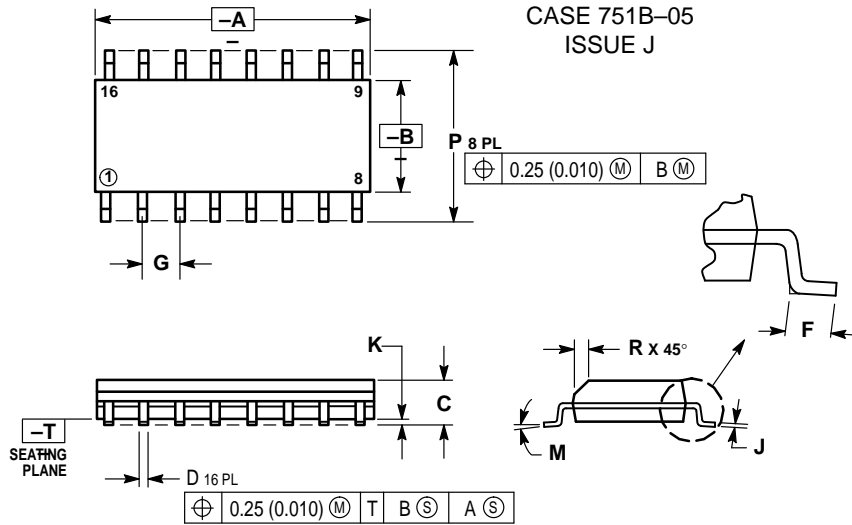
**N SUFFIX**  
**PLASTIC PACKAGE**  
**CASE 648-08**  
**ISSUE R**



- NOTES:
1. DIMENSIONING AND TOLERANCING PER ANSI Y14.5M, 1982.
  2. CONTROLLING DIMENSION: INCH.
  3. DIMENSION L TO CENTER OF LEADS WHEN FORMED PARALLEL.
  4. DIMENSION B DOES NOT INCLUDE MOLD FLASH.
  5. ROUNDED CORNERS OPTIONAL.

| DIM | INCHES    |       | MILLIMETERS |       |
|-----|-----------|-------|-------------|-------|
|     | MIN       | MAX   | MIN         | MAX   |
| A   | 0.740     | 0.770 | 18.80       | 19.55 |
| B   | 0.250     | 0.270 | 6.35        | 6.85  |
| C   | 0.145     | 0.175 | 3.69        | 4.44  |
| D   | 0.015     | 0.021 | 0.39        | 0.53  |
| F   | 0.040     | 0.070 | 1.02        | 1.77  |
| G   | 0.100 BSC |       | 2.54 BSC    |       |
| H   | 0.050 BSC |       | 1.27 BSC    |       |
| J   | 0.008     | 0.015 | 0.21        | 0.38  |
| K   | 0.110     | 0.130 | 2.80        | 3.30  |
| L   | 0.295     | 0.305 | 7.50        | 7.74  |
| M   | 0°        | 10°   | 0°          | 10°   |
| S   | 0.020     | 0.040 | 0.51        | 1.01  |

**D SUFFIX**  
**PLASTIC SOIC PACKAGE**  
**CASE 751B-05**  
**ISSUE J**



- NOTES:
1. DIMENSIONING AND TOLERANCING PER ANSI Y14.5M, 1982.
  2. CONTROLLING DIMENSION: MILLIMETER.
  3. DIMENSIONS A AND B DO NOT INCLUDE MOLD PROTRUSION.
  4. MAXIMUM MOLD PROTRUSION 0.15 (0.006) PER SIDE.
  5. DIMENSION D DOES NOT INCLUDE DAMBAR PROTRUSION. ALLOWABLE DAMBAR PROTRUSION SHALL BE 0.127 (0.005) TOTAL IN EXCESS OF THE D DIMENSION AT MAXIMUM MATERIAL CONDITION.

| DIM | MILLIMETERS |       | INCHES    |       |
|-----|-------------|-------|-----------|-------|
|     | MIN         | MAX   | MIN       | MAX   |
| A   | 9.80        | 10.00 | 0.386     | 0.393 |
| B   | 3.80        | 4.00  | 0.150     | 0.157 |
| C   | 1.35        | 1.75  | 0.054     | 0.068 |
| D   | 0.35        | 0.49  | 0.014     | 0.019 |
| F   | 0.40        | 1.25  | 0.016     | 0.049 |
| G   | 1.27 BSC    |       | 0.050 BSC |       |
| J   | 0.19        | 0.25  | 0.008     | 0.009 |
| K   | 0.10        | 0.25  | 0.004     | 0.009 |
| M   | 0°          | 7°    | 0°        | 7°    |
| P   | 5.80        | 6.20  | 0.229     | 0.244 |
| R   | 0.25        | 0.50  | 0.010     | 0.019 |

Motorola reserves the right to make changes without further notice to any products herein. Motorola makes no warranty, representation or guarantee regarding the suitability of its products for any particular purpose, nor does Motorola assume any liability arising out of the application or use of any product or circuit, and specifically disclaims any and all liability, including without limitation consequential or incidental damages. "Typical" parameters can and do vary in different applications. All operating parameters, including "Typicals" must be validated for each customer application by customer's technical experts. Motorola does not convey any license under its patent rights nor the rights of others. Motorola products are not designed, intended, or authorized for use as components in systems intended for surgical implant into the body, or other applications intended to support or sustain life, or for any other application in which the failure of the Motorola product could create a situation where personal injury or death may occur. Should Buyer purchase or use Motorola products for any such unintended or unauthorized application, Buyer shall indemnify and hold Motorola and its officers, employees, subsidiaries, affiliates, and distributors harmless against all claims, costs, damages, and expenses, and reasonable attorney fees arising out of, directly or indirectly, any claim of personal injury or death associated with such unintended or unauthorized use, even if such claim alleges that Motorola was negligent regarding the design or manufacture of the part. Motorola and are registered trademarks of Motorola, Inc. Motorola, Inc. is an Equal Opportunity/Affirmative Action Employer.

How to reach us:

USA/EUROPE: Motorola Literature Distribution;  
 P.O. Box 20912; Phoenix, Arizona 85036. 1-800-441-2447

MFAX: RMFAX0@email.sps.mot.com -TOUCHTONE (602) 244-6609  
 INTERNET: <http://Design-NET.com>

JAPAN: Nippon Motorola Ltd.; Tatsumi-SPD-JLDC, Toshikatsu Otsuki,  
 6F Seibu-Butsuryu-Center, 3-14-2 Tatsumi Koto-Ku, Tokyo 135, Japan. 03-3521-8315

HONG KONG: Motorola Semiconductors H.K. Ltd.; 8B Tai Ping Industrial Park,  
 51 Ting Kok Road, Tai Po, N.T., Hong Kong. 852-26629298



This datasheet has been download from:

[www.datasheetcatalog.com](http://www.datasheetcatalog.com)

Datasheets for electronics components.