

2	1167	24-04-96	A	E	J	N
1		02-04-96	B	F	K	P
ISS	ECO NUMBER	DATE	C	G	L	Q
			D	H	M	R

MATERIAL		DIMENSIONS IN	
MATERIAL THICKNESS		TOLERANCE (UNLESS OTHERWISE STATED)	
DRAWN SG	DATE 22_1_96	MODEL VS265	
CHECKED	DATE		
APPROVED	DATE		



TITLE	DAUGHTER BOARD CIRCUIT DIAGRAM
DWG.No	V265-61-02
SHEET 1 OF 2	ISS 2

NOTE:-  
 CN1 PINS 1 & 2 ARE NOT USED.

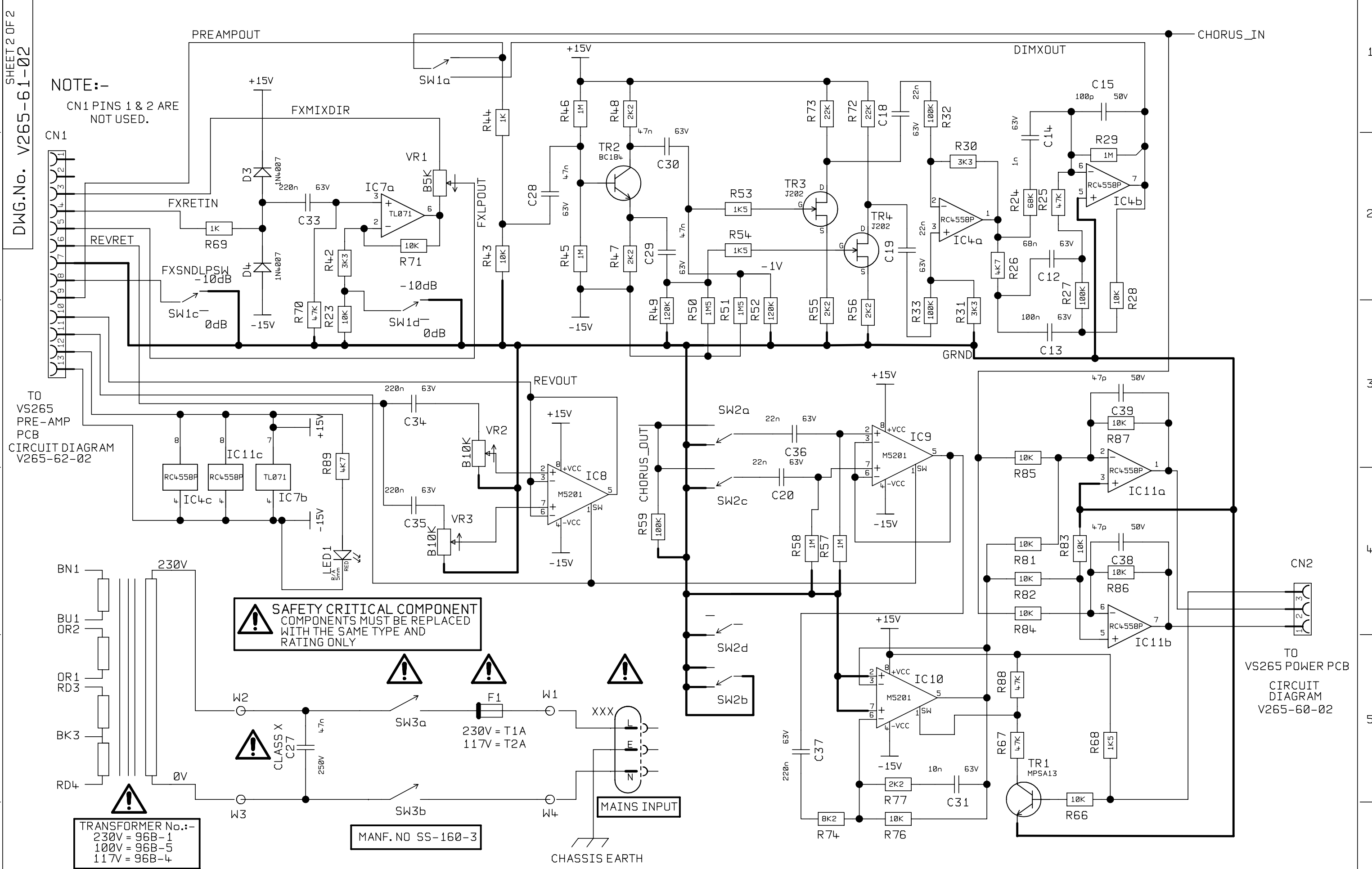
TO  
 VS265  
 PRE-AMP  
 PCB  
 CIRCUIT DIAGRAM  
 V265-62-02

BN1  
 BU1  
 OR2  
 OR1  
 RD3  
 BK3  
 RD4

TRANSFORMER No.:-  
 230V = 96B-1  
 100V = 96B-5  
 117V = 96B-4

**SAFETY CRITICAL COMPONENT**  
 COMPONENTS MUST BE REPLACED  
 WITH THE SAME TYPE AND  
 RATING ONLY

MANF. NO SS-160-3



		ALL OTHER HOLES =				X = (THROUGH PLATED)				MATERIAL		DIMENSIONS IN		
		A	B	C	D	J	K	L	M	N	P	Q	R	TOLERANCE (UNLESS OTHERWISE STATED)
2	1167	24-04-96												
1		02-04-96												
ISS	ECO NUMBER	DATE												

DRAWN	SG	DATE	22_1_96
CHECKED		DATE	
APPROVED		DATE	

**Marshall**  
 MARSHALL AMPLIFICATION PLC  
 DENBIGH ROAD, BLETCHLEY, MILTON KEYNES, MK1 1DQ.  
 TEL (01908) 375411 FAX (01908) 376118

TITLE DAUGHTER BOARD  
 CIRCUIT DIAGRAM  
 DWG.No V265-61-02 SHEET 2 OF 2 ISS  
 2