

ISS	ECD NUMBER	DATE
2	1167	24-04-95
1		02-04-96

ALL OTHER HOLES =				X = (THROUGH PLATED)			
A	B	F	J	N	P	R	
B	F	K	N	P	R		
C	G	L	P	R			
D	H	M	R				

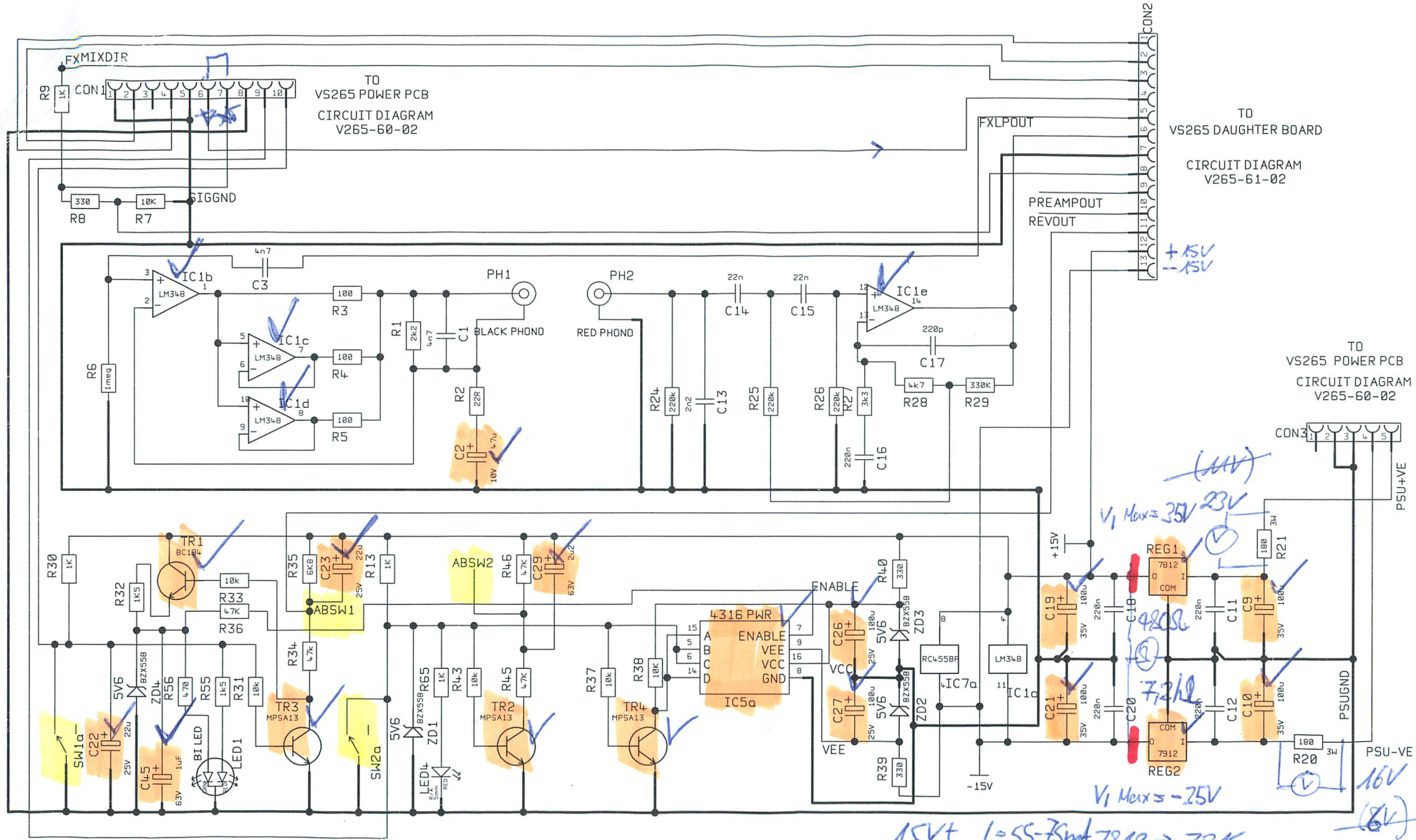
MATERIAL	DIMENSIONS IN
MATERIAL THICKNESS	TOLERANCE (UNLESS OTHERWISE STATED)
DRAWN SG	DATE 17_11_95
CHECKED	DATE
APPROVED	DATE

MODEL	VS265
-------	-------



TITLE	PRE-AMP PCB CIRCUIT DIAGRAM
DWG.No	V265-62-02
SHEET 1 OF 2	ISS 2





TO  
VS265 POWER PCB  
CIRCUIT DIAGRAM  
V265-60-02

TO  
VS265 DAUGHTER BOARD  
CIRCUIT DIAGRAM  
V265-61-02

TO  
VS265 POWER PCB  
CIRCUIT DIAGRAM  
V265-60-02

*(Handwritten)*  
V1 Max = 35V 23V

*(Handwritten)*  
4200

*(Handwritten)*  
7.2k

*(Handwritten)*  
V1 Max = -25V

*(Handwritten)*  
15V+ 1-55-75mA 7812 → 7815  
with tube I = 80mA  
7812 → 79  
7912 → 7915

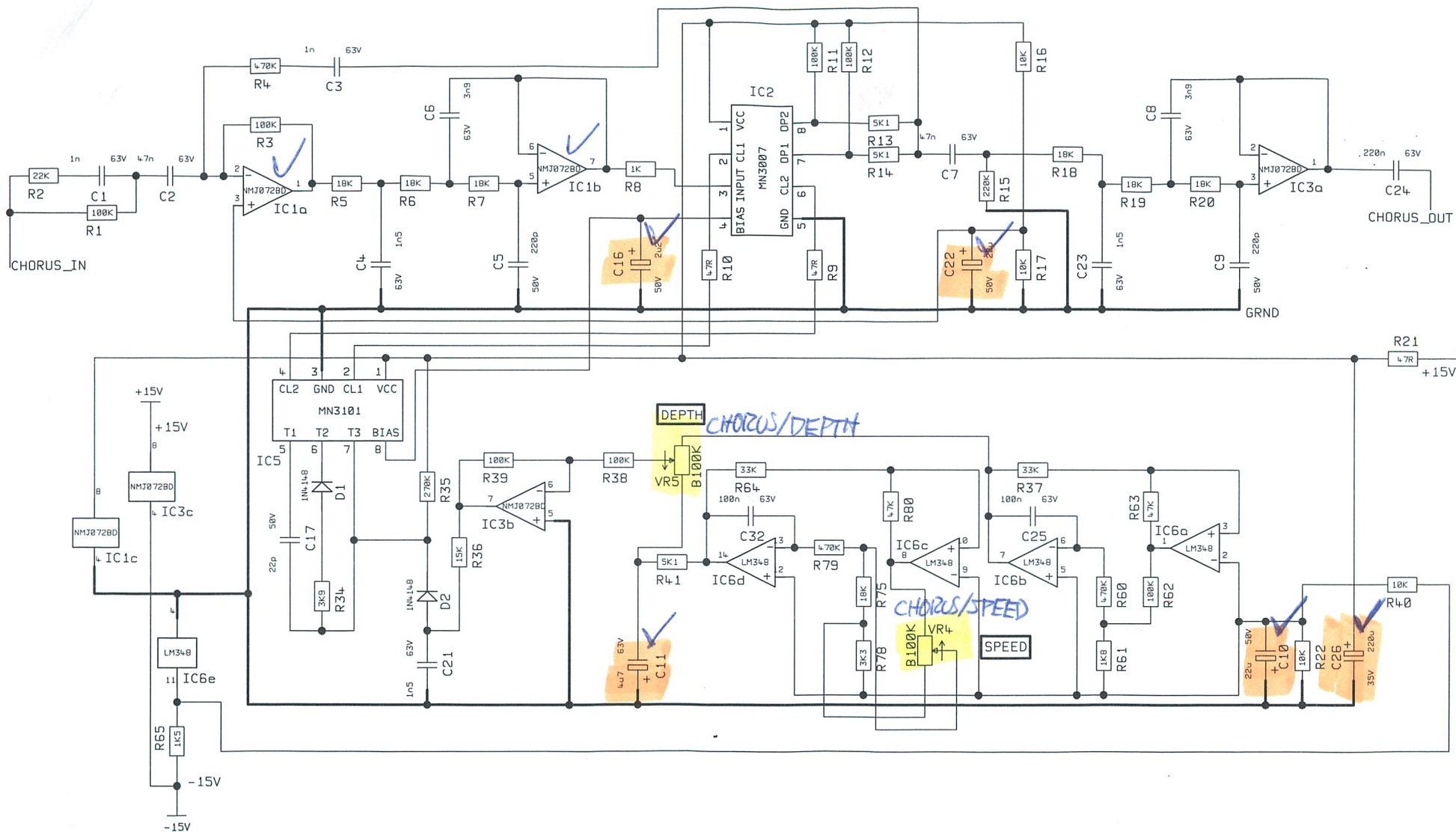
2	1167	24-04-96
1		02-04-96
ISS	ECD NUMBER	DATE

ALL OTHER HOLES =		X = (THROUGH PLATED)	
A	E	J	N
B	F	K	P
C	G	L	Q
D	H	M	R

MATERIAL	DIMENSIONS IN
MATERIAL THICKNESS	TOLERANCE (UNLESS OTHERWISE STATED)
DRAWN SG DATE 17 11 95	
CHECKED DATE	MODEL VS265
APPROVED DATE	



TITLE	PRE-AMP PCB CIRCUIT DIAGRAM
DWG.No	SHEET 2 OF 2 ISS
	V265-62-02 2



2	1167	24-04-96
1		02-04-96
ISS	ECD NUMBER	DATE

ALL OTHER HOLES =		X = (THROUGH PLATED)	
A	E	J	N
B	F	K	P
C	G	L	Q
D	H	M	R

MATERIAL	DIMENSIONS IN
MATERIAL THICKNESS	TOLERANCE (UNLESS OTHERWISE STATED)
DRAWN SG	DATE 22 1 96
CHECKED	DATE
APPROVED	DATE

MODEL	VS265
-------	-------



TITLE	DAUGHTER BOARD CIRCUIT DIAGRAM
DWG.No	V265-61-02
SHEET 1 OF 2	ISS
	2



NOTE:-  
CN1 PINS 1 & 2 ARE NOT USED.

TO VS265  
PRE-AMP  
PCB  
CIRCUIT DIAGRAM  
V265-62-02

230V  
BU1 OR2  
BLUE 12V  
BLUE OR1 RD3  
30V  
BK3  
30V  
RD4

TRANSFORMER No.:-  
230V = 96B-1  
100V = 96B-5  
117V = 96B-4

SAFETY CRITICAL COMPONENT  
COMPONENTS MUST BE REPLACED  
WITH THE SAME TYPE AND  
RATING ONLY

MANF. NO SS-160-3

CHASSIS EARTH

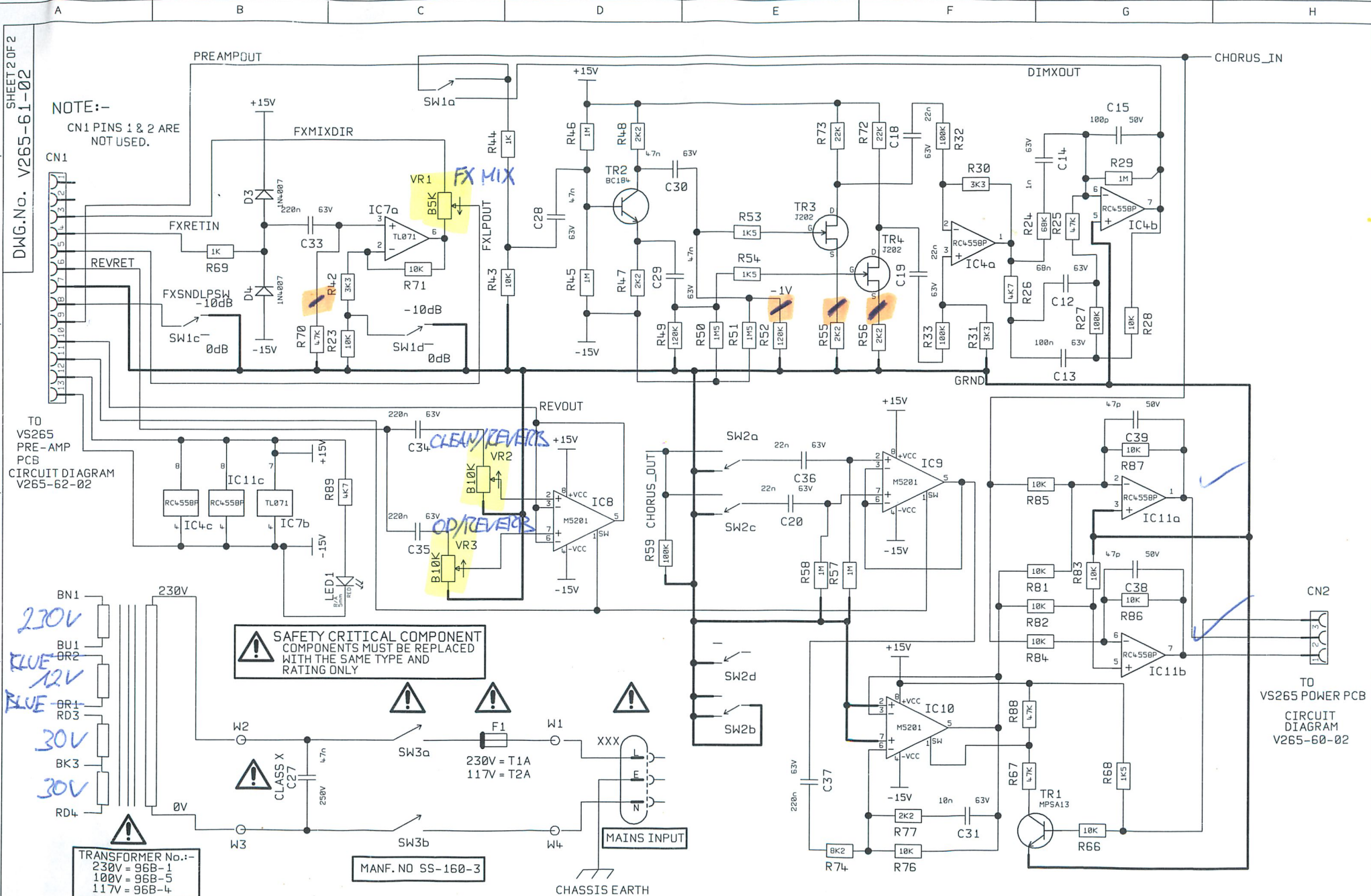
ALL OTHER HOLES =				X = (THROUGH PLATED)				MATERIAL		DIMENSIONS IN		TITLE	DWG.No	SHEET 2 OF 2	ISS												
A	B	C	D	E	F	G	H	J	K	L	M					N	P	Q	R	TOLERANCE (UNLESS OTHERWISE STATED)	DATE	DATE	DATE	DATE	DATE	DATE	DATE
2	1167	24-04-96																									
1		02-04-96																									
ISS	ECO NUMBER	DATE																									

DRAWN		DATE		CHECKED		DATE		APPROVED		DATE	
SG		22_1_96									



MARSHALL AMPLIFICATION PLC  
DENBIGH ROAD, BLETCHLEY, MILTON KEYNES, MK1 1DG.  
TEL: (01908) 375411 FAX: (01908) 376110

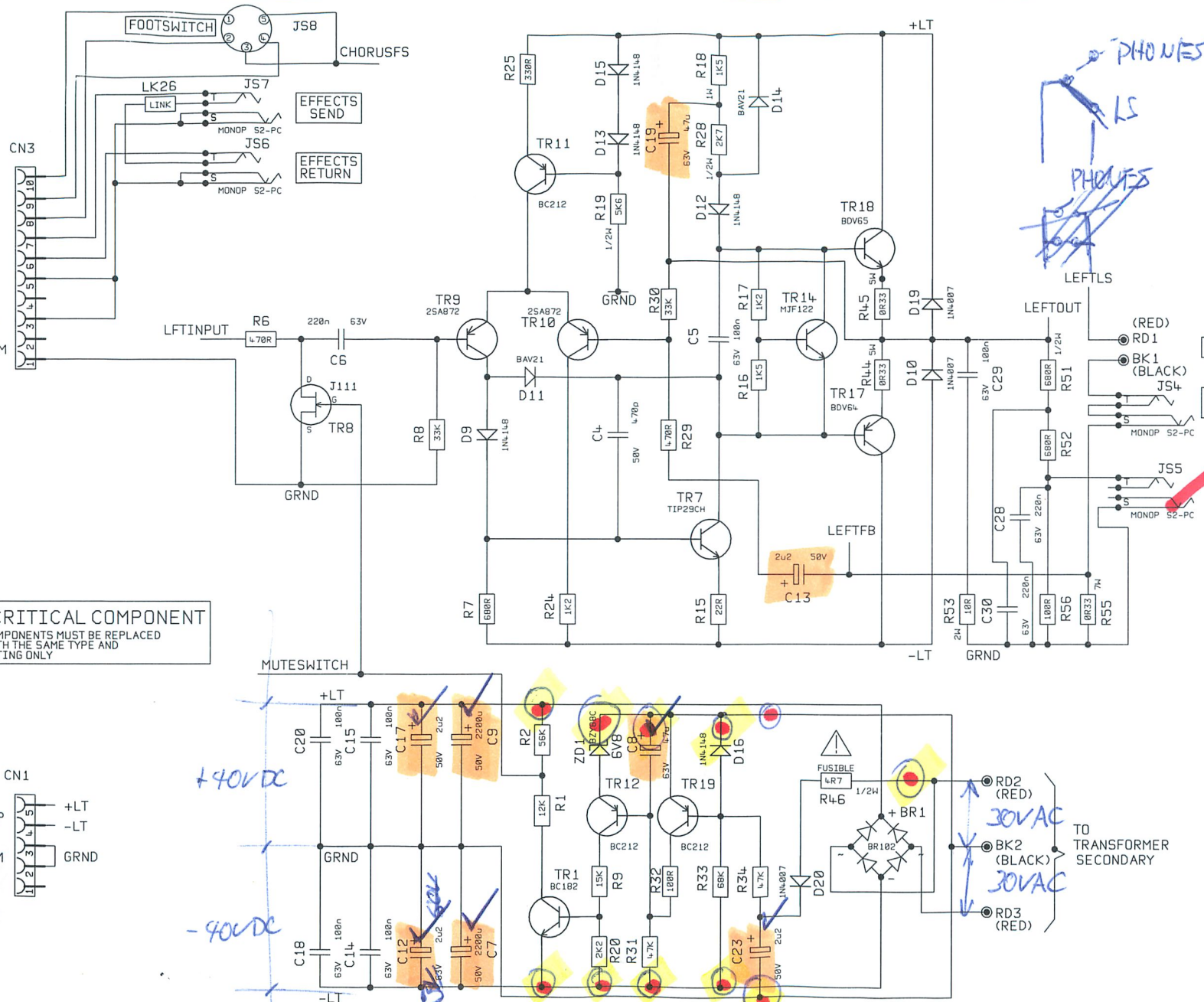
TO VS265 POWER PCB  
CIRCUIT DIAGRAM  
V265-60-02



TO  
 VS265 PRE-AMP  
 CIRCUIT DIAGRAM  
 V265-62-02

TO  
 VS265 PRE-AMP  
 CIRCUIT DIAGRAM  
 V265-62-02

**SAFETY CRITICAL COMPONENT**  
 COMPONENTS MUST BE REPLACED  
 WITH THE SAME TYPE AND  
 RATING ONLY



+40VDC  
 -40VDC

PHONES  
 PHONES  
 LEFTS

Tip NK - contact defect!

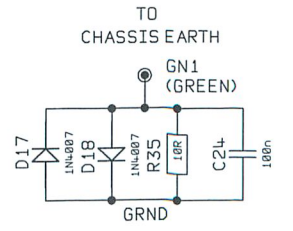
30VAC  
 30VAC

		ALL OTHER HOLES =				X = (THROUGH PLATED)			
2	1217	A	B	F	J	N	P	R	
1	02-04-96	C	D	G	L	Q	S	T	
155	ECO NUMBER	D	H	M	R				

MATERIAL		DIMENSIONS IN	
MATERIAL THICKNESS	DATE	TOLERANCE (UNLESS OTHERWISE STATED)	MODEL
DRWNR SG	03.11.95		VS265
CHECKED	DATE		
APPROVED	DATE		

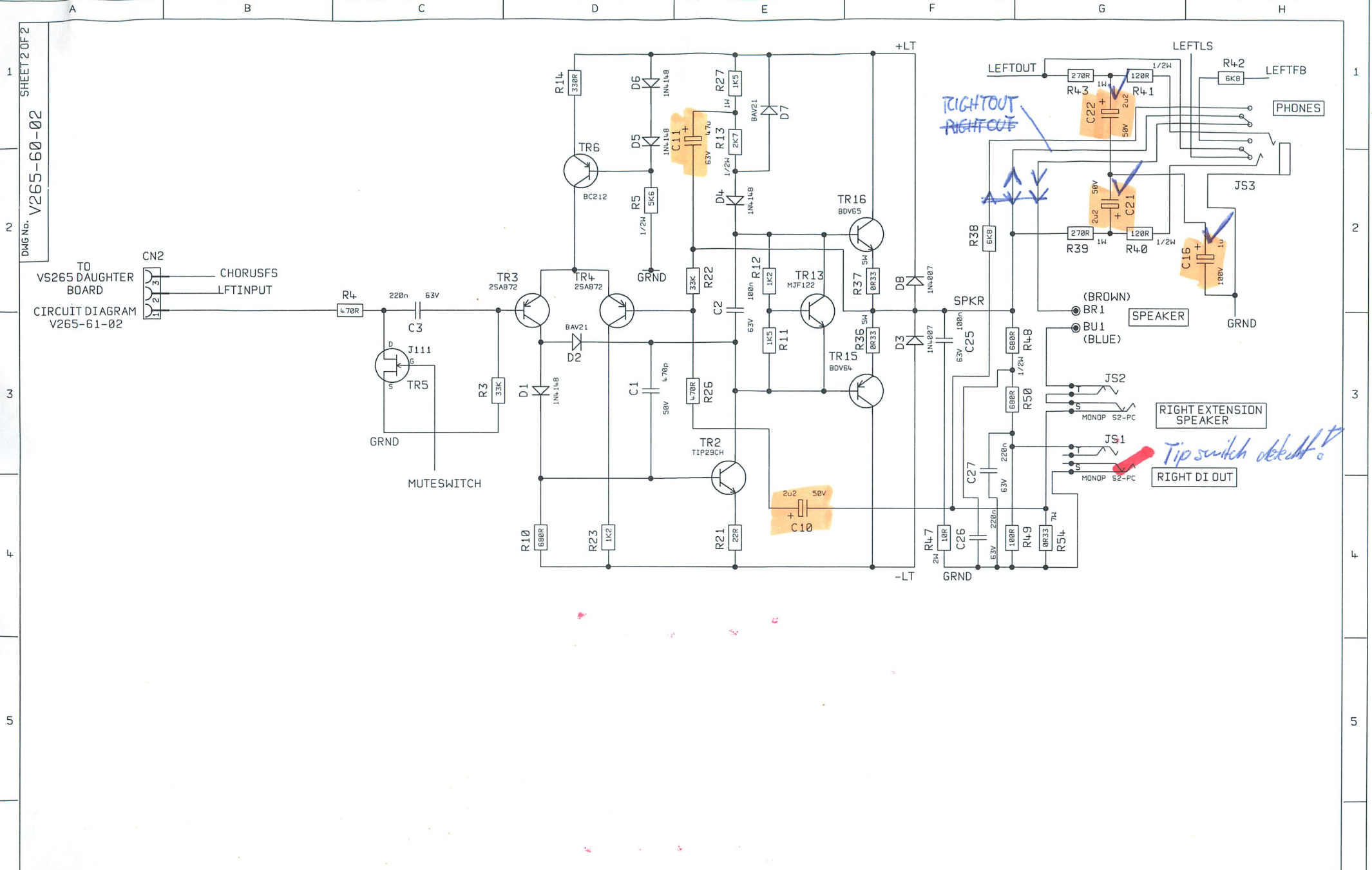
**Marshall**  
 JIM MARSHALL PRODUCTS LTD.  
 DENBIGH ROAD, BLETCHELEY, MILTON KEYNES, MK1 1DB.  
 TEL: (0500)375111 FAX: (0500)375118

TITLE		SHEET 1 OF 2	
POWER PCB	CIRCUIT DIAGRAM	ISS	2
DWG.No	V265-60-02		





TO  
VS265 DAUGHTER  
BOARD  
CIRCUIT DIAGRAM  
V265-61-02



ISS		ECO NUMBER		DATE		ALL OTHER HOLES =		X = (THROUGH PLATED)	
2	1217	23/7/96	A	E	J	N			
1		02-04-96	B	F	K	P			
			C	G	L	Q			
			D	H	M	R			

MATERIAL		DIMENSIONS IN	
MATERIAL THICKNESS	TOLERANCE (UNLESS OTHERWISE STATED)		
DRAHN SG DATE 03.11.95			
CHECKED DATE	MODEL VS265		
APPROVED DATE			



TITLE		SHEET 2 OF 2	
POWER PCB	CIRCUIT DIAGRAM	DWG.No	V265-60-02
		ISS	2