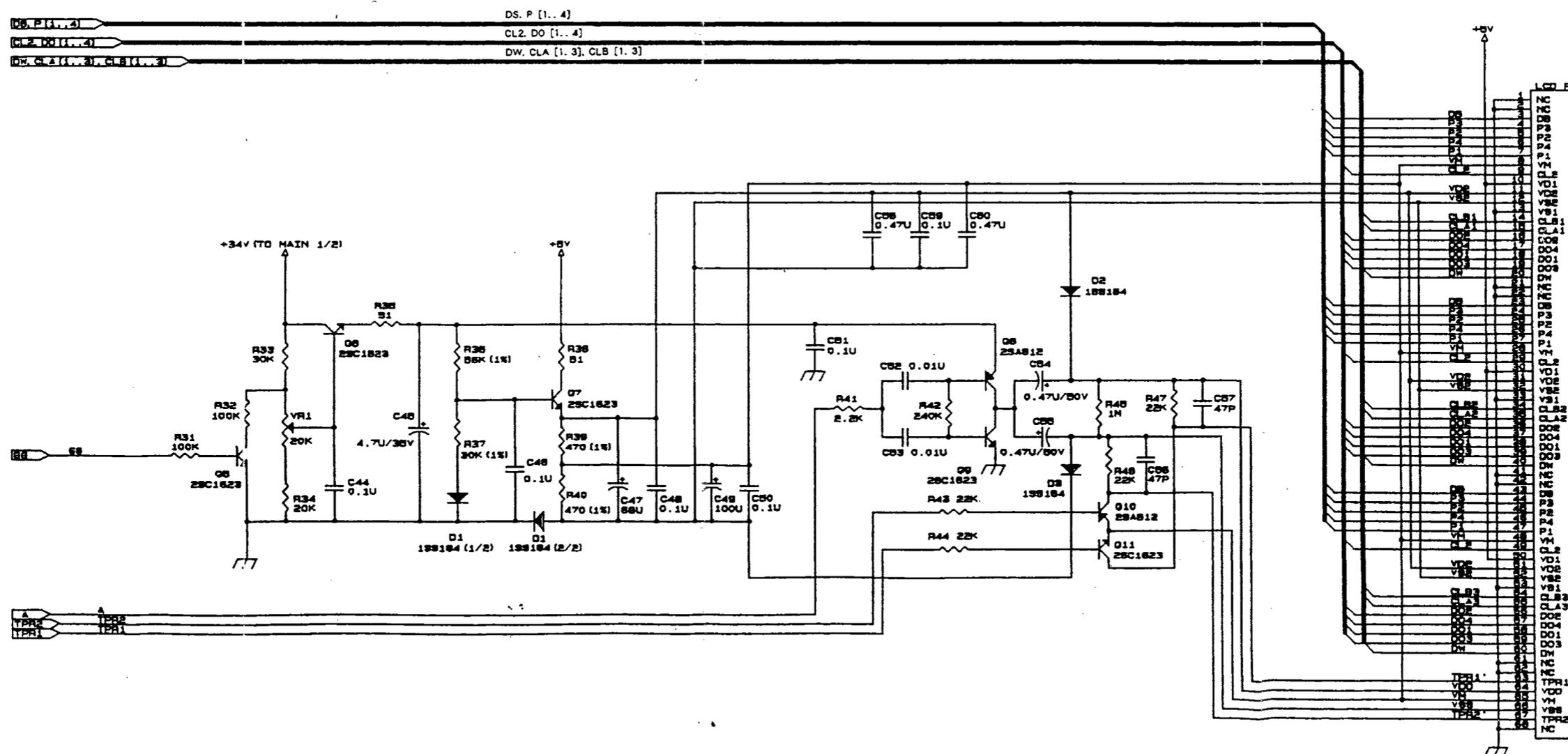
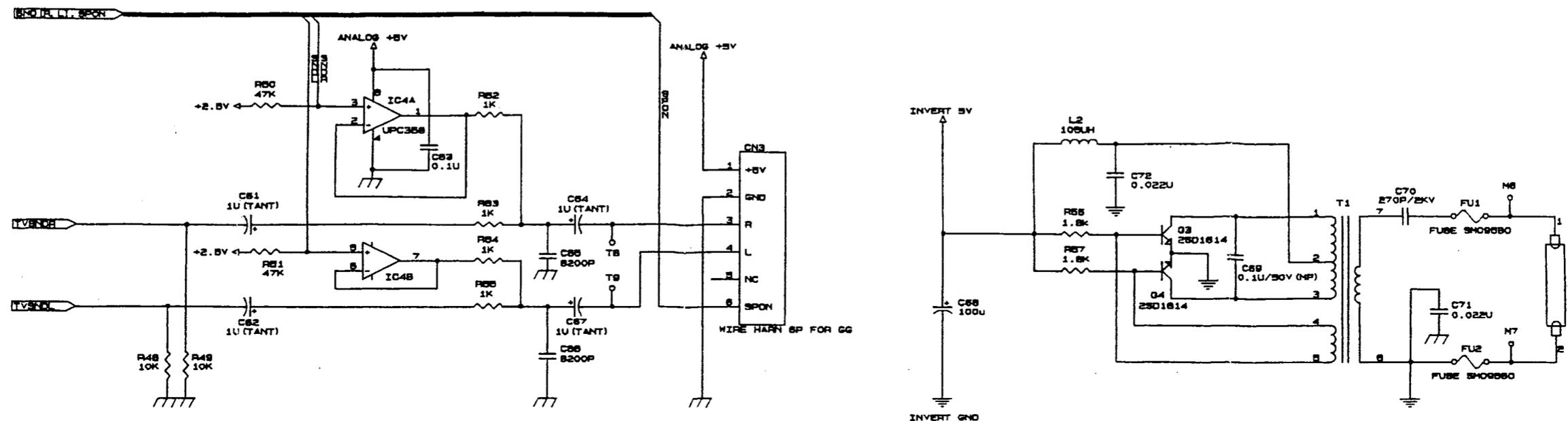






5-2. Main Circuit Board-2



1 2 3 4 5 6 7 8

5-3. DC-DC Converter Circuit Board

5-4. Sound Circuit Board

