



\* DS1000B

## DS1000B / DS1500B / DS2000B / DS3000B

### Online Double Conversion UPS Technology

An Online UPS is not a further improvement of the standby technology, but a completely different approach to providing the highest level of power supply. A double-conversion refers to converting the incoming AC power into DC power, and inverting it back to AC power. This ensures the newly reproduced power to be of a quality standard set by UPS, to be completely cleared of all imperfections of the power coming from the AC mains. Regardless of what is going on the AC mains side, the UPS output voltage, frequency and signal purity are kept up to the highest standards. The current flow is absolutely uninterrupted, the transfer time is zero. The UPS can work in pair with diesel generator, and can accommodate additional battery cabinets for a longer backup time.

Beside those, the Durable Series UPS offer a set of essential features that make these UPS a flexible power supply control and power saving tool.

By now the Durable Series UPS perfectly serve their purpose in numerous data processing, medical, banking and other mission critical centres around the globe.

### Features

- \* Zero transfer time (online)
- \* Smart fan speed control
- \* Saves more power and minimizes noise
- \* 4 hours recharge time
- \* Cold start (DC power on)
- \* EPO port ready: emergency power off switch
- \* SNMP card slot available
- \* Hot swappable / replaceable battery: continuous operation even when battery is being replaced
- \* Extended battery pack (optional)
- \* RS232 and USB port
- \* Full version of OPTI-SAFE Xtreme software

### Backup Time (Typical)

DS1000B	1PC+1LCD	80 mins	DS2000B	1PC+1LCD	120 mins
DS1500B	1PC+1LCD	90 mins	DS3000B	1PC+1LCD	140 mins

### Specifications

Model Name	DS1000B	DS1500B	DS2000B	DS3000B
Topology	True On-Line, Double Conversion			
On-battery Output Waveform	Pure Sine Wave			
Number of Phase	Single Phase (2W+G)			
INPUT				
Maximum Capacity	1000VA / 700W	1500VA / 1050W	2000VA / 1400W	3000VA / 2100W
Nominal Input Voltage	100/110/120Vac or 220/230/240Vac			
Input Voltage Regulation	80-144Vac or 160-276Vac			
Nominal Input Frequency	50Hz / 60Hz Auto Sensing			
Input PFC	> 0.97@Full load			
Input Short Protection	Circuit Breaker			
OUTPUT				
Nominal Output Voltage	100/110/115/120/127Vac or 208/220/230/240Vac (selectable)			
Output Voltage Regulation	Rated Voltage +/- 2%			
Output T.H.D	< 3% T.H.D at Linear Load			
High Efficiency Mode (AC to AC)	92%			
Crest Factor	3:1			
Start on Battery	Yes			
Auto Restart	Yes			
Number of Outlets	6 Battery backup (US) 4 Battery backup (IEC)		12 Battery backup (US) 9 Battery backup (IEC320 10A×8, IEC320 16A×1)	
PROTECTION				
Data Line Surge Protection	RJ11 / RJ45			
BATTERY				
User Replaceable Battery	36V / 12V7.2AH x 3	36V / 12V34W x 3	72V / 12V7.2AH x 6	72V / 12V34W x 6
Typical Backup Time (Full / Half load)*	6 / 18 min	5 / 15 min	6 / 18 min	5 / 15 min
Recharge Time to 90%	< 4 Hours			
Extended Battery Pack	BP1000	BP1500	BP2000	BP3000
ADVANCED WARNINGS / DIAGNOSTICS				
Front Panel LEDs	AC mode / On line / On battery / Bypass / Fault / Overload and 15 UPS Parameters			
Audible Alarms	Battery mode / UPS fault / Overload			
COMMUNICATIONS INTERFACE				
Communication Port	RS232 and USB			
SNMP Manageable	Yes			
ENVIRONMENTAL				
Operation Temperature	0°~40°C / 32°~104°F			
Storage Temperature	-20°~60°C / -4°~140°F			
Relative Humidity	0~95% humidity, non-condensing			
Audible Noise	< 40 dBA (at 1 meter from surface of unit)			
PHYSICAL				
Dimensions (Physical / Packing)	(in) 16.5 x 6 x 9.4 / 21.5 x 11 x 14		16.5 x 8.9 x 14.1 / 20.7 x 13.8 x 19.1	
(L x W x H)	(mm) 420 x 152 x 238 / 545 x 280 x 355		420 x 225 x 358 / 526 x 350 x 485	
Weight (Net / Gross)	(lbs) 36.4 / 40.6	(kg) 16.5 / 18.4	(lbs) 37.7 / 41.9	(kg) 17.1 / 19
Battery Pack (Net / Gross)	(kg) 21.1 / 22.6		40 / 44.5	
Battery Pack Dimensions (Physical / Packing)	(in) 16.5 x 6 x 9.4 / 21.5 x 11 x 14		16.5 x 8.9 x 14.1 / 20.7 x 13.8 x 19.1	
(L x W x H)	(mm) 420 x 152 x 238 / 545 x 280 x 355		420 x 225 x 358 / 526 x 350 x 485	
CONFORMANCE Approvals	CE ; UL / cUL ; C-Tick, A-Tick ; GOST-R			

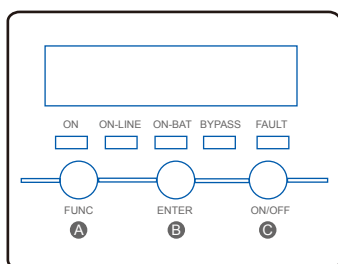
Specifications are subject to change without notice.

\* Backup time depends on power consumption of equipment attached and on UPS battery capacity. Numbers here are for reference only.



## Front Panel

DS1000B / DS1500B / DS2000B / DS3000B

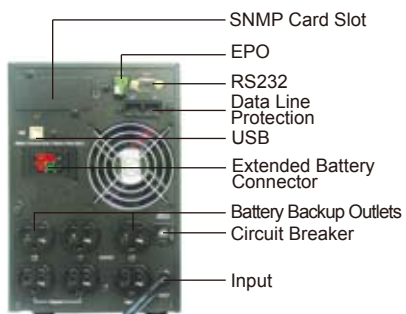


A) Function  
B) Enter  
C) On / Off

## Rear Panel

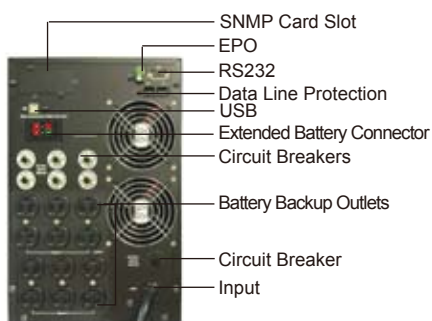
DS1000B / DS1500B

100V/110V/120V

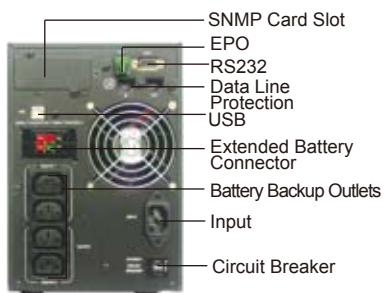


DS2000B / DS3000B

100V/110V/120V



220V/230V/240V



220V/230V/240V

